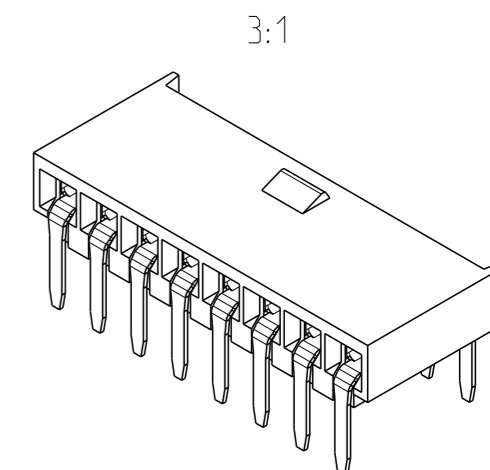
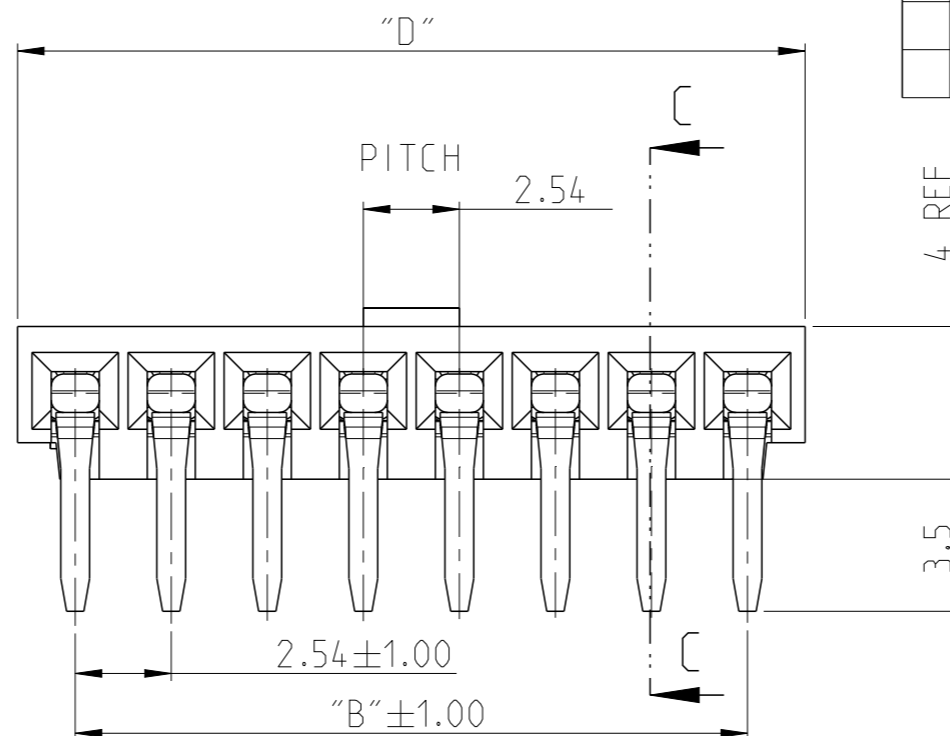
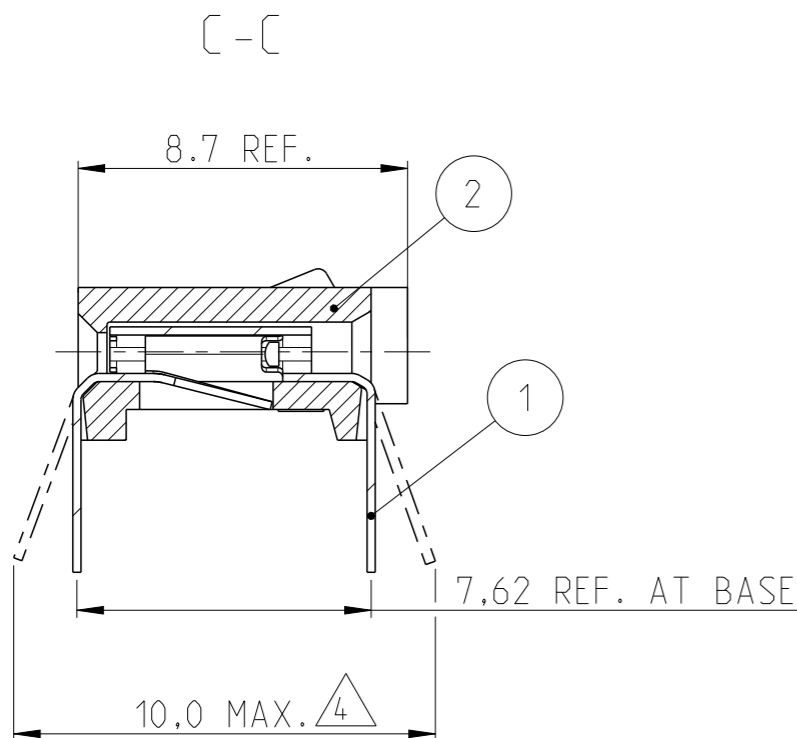


P	LTR	DESCRIPTION	DATE	DWN	APVD
	J1	PN 280580-2 REACTIVATED	17MAR2020	KJK	PS



NOTES:

- ① HOUSING: LCP, BLACK, UL94-V0
- ② CONTACTS: PHOSPHOR BRONZE, MIN. 0.38 μm GOLD ON CONTACT AREA AND GOLD FLASH ALL OVER, OVER NICKEL
- ③ CONTACTS: PHOSPHOR BRONZE, MIN. 0.76 μm TIN PLATED ALL OVER, EXCEPT FOR CUTTING EDGES.
- ④ THIS MAX. DIMENSION ASSURES PROPER POSITION OF CONNECTOR ON PCB DURING WAVE SOLDERING OPERATION
- ⑤ OBSOLETE

				ASS'Y CONNECTOR WITH 0.38 μm GOLD PLATED CONTACT (STD PRESSURE)	ASS'Y CONNECTOR WITH TIN PLATED CONTACT (HIGH PRESSURE)				
NO OF POS.	DIM "B"	DIM "D"	ITEM ② HOUSING (1 REQUIRED)	ASSEMBLY PART NUMBERS	ITEM ① CONTACT	CONTACT QUANTITY	ASSEMBLY PART NUMBERS	ITEM ① CONTACT	CONTACT QUANTITY
8	17.78	20.8	①	280578-2 ⑤	②	8	281334-4	③	8
9	20.32	23.4	↓	280579-2 ⑤	↓	9	281335-4	↓	9
12	27.94	31.0	↓	280580-2	↓	12	281336-1	↓	12
15	35.56	38.6	↓	280581-2	↓	15	281337-4	↓	15
22	53.34	56.4	↓	280582-2 ⑤	↓	22	281338-4	↓	22
4	7.62	10.7	↓	281218-2 ⑤	↓	4	281333-4	↓	4

THIS DRAWING IS A CONTROLLED DOCUMENT.

DIMENSIONS: mm	
MATERIAL	

TOLERANCES UNLESS OTHERWISE SPECIFIED: ±0.3mm	
0 PLC	±
1 PLC	±
2 PLC	±
3 PLC	±
4 PLC	±
ANGLES	±2°
FINISH	-

DWN	RAVI.S	08AUG2019
CHK	KARTHIK J.K	08AUG2019
APVD	PRASHANTH S	08AUG2019
PRODUCT SPEC	108-20025	
APPLICATION SPEC	-	
WEIGHT	-	
CUSTOMER DRAWING		



NAME
AMPMODU II, SINGLE ROW, BOARD TO BOARD RECEPTACLE, HORIZONTAL MOUNT

SIZE	CAGE CODE	DRAWING NO	RESTRICTED TO
A3	00779	©=281333	-
SCALE	SHEET	OF	REV
5:1	1	1	J1

X-ON Electronics

Largest Supplier of Electrical and Electronic Components

Click to view similar products for [Headers & Wire Housings](#) category:

Click to view products by [TE Connectivity](#) manufacturer:

Other Similar products are found below :

[892-18-020-10-001101](#) [58102-G61-06LF](#) [582553-1](#) [0009485154](#) [009176003701906](#) [0050291907](#) [LY20-4P-DT1-P1E-BR](#) [02.125.8002.8](#)
[609-3404](#) [61062-3](#) [61082-181009](#) [622-3653LF](#) [63453-116](#) [636-1030](#) [636-1427](#) [636-3427](#) [636-4007](#) [641938-9](#) [641991-4](#) [644827-2](#) [65817-010LF](#) [65817-015LF](#) [65863-015LF](#) [66207-023LF](#) [67095-007LF](#) [67601157](#) [68645-018](#) [68648-049](#) [70.362.1628.0](#) [70-4210](#) [70-4226B](#) [70-4853B](#) [707-5020](#) [707-5028](#) [71.350.2428.0](#) [71918-208LF](#) [71961-016LF](#) [733-134](#) [733-162](#) [754199-000](#) [760-3052](#) [787-8014-00](#) [79531-3000](#)
[FCN-360C032-B](#) [FCN-367T-T012/H](#) [FCN-723D010/2](#) [80.063.4001.1](#) [800-90-001-10-001000](#) [800-90-010-10-002000](#) [801-43-002-10-013000](#)