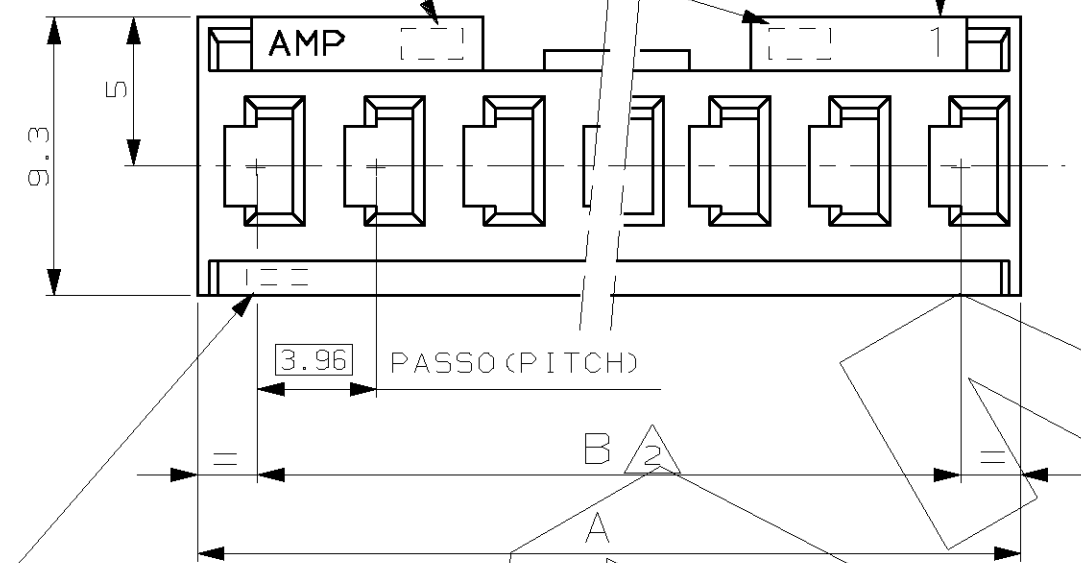
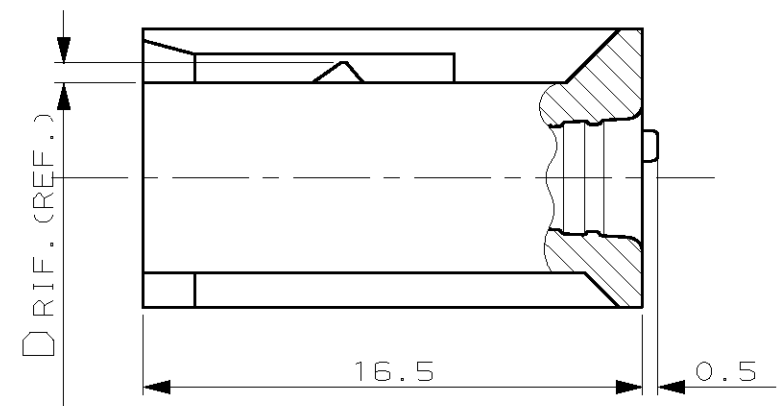


CODICE AMP DI NAZIONALITA' (—••)
 E N° IMPRONTA STAMPO (POSIZIONE OPZIONALE).
 MANUFACTURING LOCATION CODE (—••)
 AND MOULD POCKET NO. (OPTIONAL POSITION).

INDICATORE DELLA VIA NO.1 (FACOLTATIVO)
 FIRST WAY IDENTIFICATION (OPTIONAL)



MARCHIO AMP, CODICE AMP DI NAZIONALITA' (—••) E
 N° IMPRONTA STAMPO SOLO PER P/N 280590.
 FOR P/N 280590 ONLY: AMP TRADEMARK, MANUFACTURING
 LOCATION CODE (—••) AND MOULD POCKET NO.

SPORGENZE DI IDENTIFICAZIONE LATO
 DI AGGANCIAMENTO DEL CONTATTO FEMMINA
 (IDENTIFICATION LEDGES FOR RECEPTACLE
 CONTACT LOCKING LANCE POSITIONING)

| | | | | | |
|------|-------|-----|------|----------|----------------------|
| 47.4 | 43.59 | 2.0 | 0.70 | 12 | 280595 |
| 39.5 | 35.66 | | | 10 | 280594 |
| 31.6 | 27.74 | | | 8 | 280593 |
| 23.7 | 19.81 | | | 6 | 280592 |
| 15.7 | 11.89 | | G | 4 | 280591 |
| 7.8 | 3.96 | 1.0 | 0.25 | 2 | 280590 |
| A | B | C | D | NO. POS. | NUMERO (PART NUMBER) |

NOTE (NOTES)

- 1 MATERIALE: POLICARBONATO CAR. VETRO UL94V-1, COLORE VERDE.
 (MATERIAL: G.F.F. POLYCARBONATE UL94V-1, COLOR GREEN).
- 2 NO. PASSI x 3.96 ; TOLLERANZA NON CUMULATIVA.
 (NO. OF PITCHES x 3.96 ; TOLERANCE NOT CUMULATIVE).

CUSTOMER DRAWING FOR REFERENCE ONLY
 DISEGNO PER CLIENTE SOLO PER RIFERIMENTO

THIS DRAWING IS UNPUBLISHED RELEASE FOR PUBLICATION 19

TOLLERANZE: SE NON DIVERSAMENTE SPECIFICATO
 (TOLERANCES, UNLESS OTHERWISE SPECIFIED)
 ± 0.3

ANGOLI (ANGLES) ± 2°

MATERIALE (MATERIAL) VEDERE NOTA (SEE NOTE) 1
 SCALA (SCALE) 4:1

DIS. (DR.) G. CAMPIA 7 SEP 90
 DESCRIZIONE (DESCRIPTION) AMPMODU I RECEPTACLE HOUSINGS

CONT. (CHK) -

LOC. SIZE NUMERO (DWG NO) I A3 C-280590
 REV. (APP.) G1

| | | | |
|------------------|-----------------------------|----------------------------|-------------|
| G1 | REVISED PER ECO-11-005294 | RK | 05APR 11 |
| REV. (REV. LTR.) | REVISIONI (REVISION RECORD) | DIS. (DR.) | DATA (DATE) |
| APP. (APP.) | | FOGLIO (SHEET) 1 DI (OF) 1 | |

DISTRIBUZIONE (PRINT DIST.)

X-ON Electronics

Largest Supplier of Electrical and Electronic Components

Click to view similar products for [Headers & Wire Housings](#) category:

Click to view products by [TE Connectivity](#) manufacturer:

Other Similar products are found below :

[892-18-020-10-001101](#) [58102-G61-06LF](#) [582553-1](#) [0009485154](#) [009176003701906](#) [0050291907](#) [LY20-4P-DT1-P1E-BR](#) [02.125.8002.8](#)
[609-3404](#) [61062-3](#) [61082-181009](#) [622-3653LF](#) [63453-116](#) [636-1030](#) [636-1427](#) [636-3427](#) [636-4007](#) [641938-9](#) [641991-4](#) [644827-2](#) [65817-010LF](#) [65817-015LF](#) [65863-015LF](#) [66207-023LF](#) [67095-007LF](#) [67601157](#) [68645-018](#) [68648-049](#) [70.362.1628.0](#) [70-4210](#) [70-4226B](#) [70-4853B](#) [707-5020](#) [707-5028](#) [71.350.2428.0](#) [71918-208LF](#) [71961-016LF](#) [733-134](#) [733-162](#) [754199-000](#) [760-3052](#) [787-8014-00](#) [79531-3000](#)
[FCN-360C032-B](#) [FCN-367T-T012/H](#) [FCN-723D010/2](#) [80.063.4001.1](#) [800-90-001-10-001000](#) [800-90-010-10-002000](#) [801-43-002-10-013000](#)