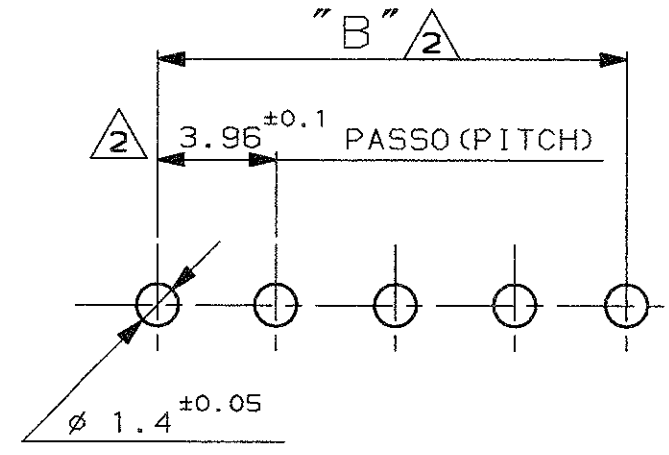
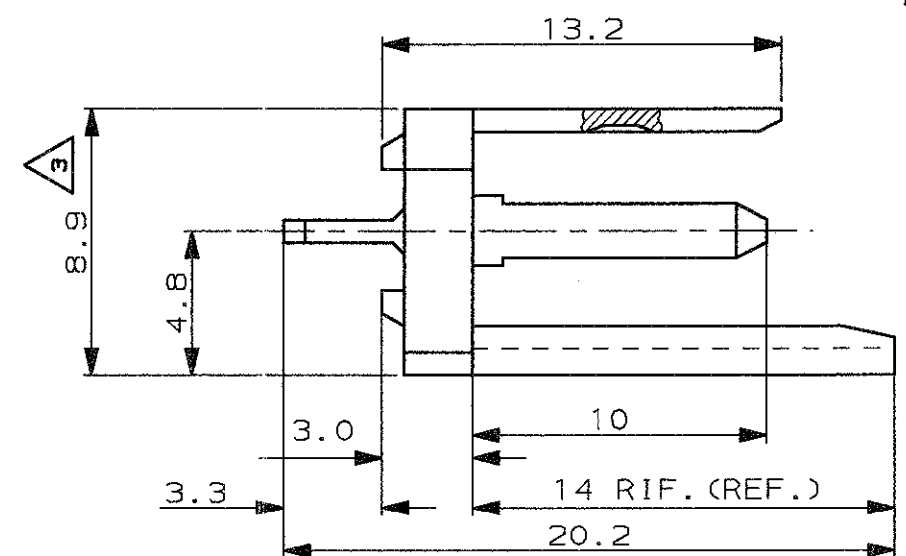
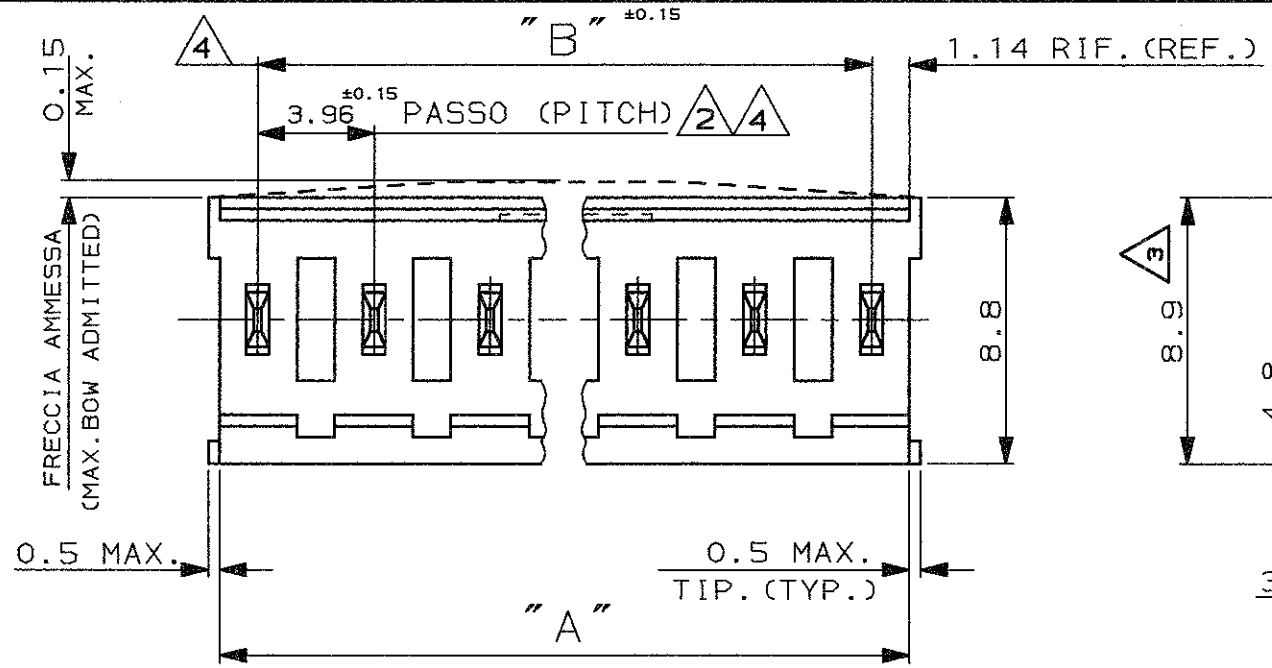


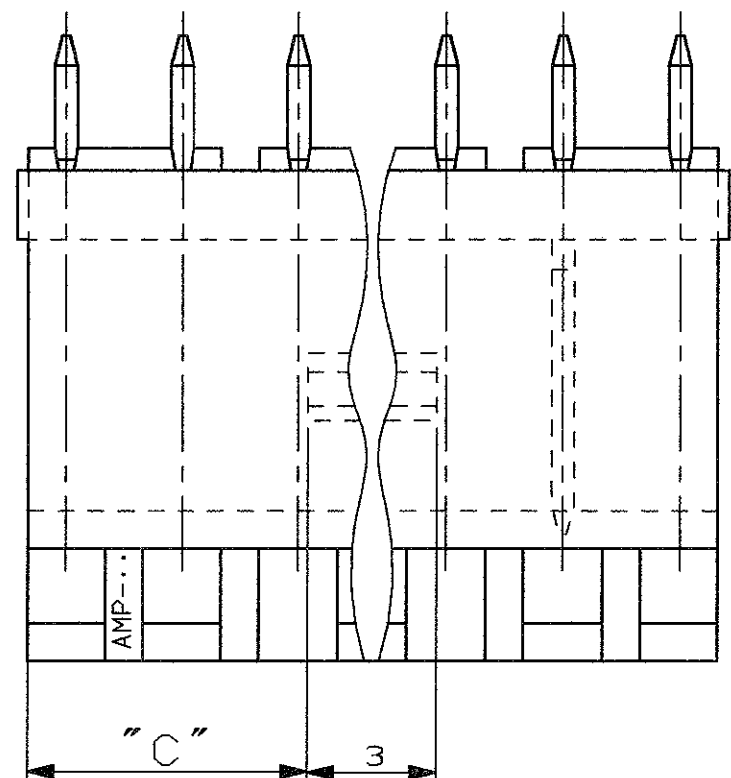
SCALA NON IMPEGNATIVA
(DO NOT SCALE)
DIMENSIONI IN mm
(DIMENSIONS IN mm)

METRIC

PROIEZIONE EUROPEA
(EUROPEAN PROJECTION)



DIMA DI FORATURA SU C.S.
(RECOMMENDED P.C.B. HOLE PATTERN)



- 1 OBSOLETO (OBSOLETE)
- 2 TOLLERANZA NON CUMULATIVA (NOT CUMULATIVE TOLERANCE)
- 3 ALLA BASE (AT BASE)
- 4 DIMENSIONE MISURATA ALLA BASE DEI POSTS (POSTS BASE DIMENSION)
- 5 -
- 6 MATERIALE CONTATTO: BRONZO PER LA VERSIONE STAGNATA (CONTACT MATERIAL: PH BRONZE FOR TIN PLTD VERSION ONLY)
- 7 MATERIALE CONTATTO: OTTONE PER LA VERSIONE DORATA (CONTACT MATERIAL: BRASS FOR GOLD PLTD VERSION)
- 8 MATERIALE BLOCCHETTO: POLICARBONATO CARICATO VETRO, COLORE VERDE (HOUSING MAT'L: POLYCARBONATE GLASS FIBER FILLED, GREEN COLOUR)
- 9 MATERIALE BLOCCHETTO: POLIESTERE CARICATO VETRO, UL 94-V0, COLORE NERO (HOUSING MAT'L: POLYESTER GLASS FIBER FILLED, UL 94-V0, BLACK COLOUR)
- 10 OBSOLETE PARTS: OBSOLETE CIS STREAMLINING PER D.RENAUD/D.SINISI

| 10 OBSOLETE | 2 | 6.2 | 3.96 | 1.6 | 6 | 9 | 280609-1 | 7 | 8 | 280614-2 | 1 | 7 | 8 | 280614-4 | 1 | 7 | 8 | 280614-3 |
|-------------|----------|----------|----------|------|---|---|-----------------------------------|---|---|--|---|---|---|--|---|---|---|--|
| | 12 | 45.9 | 43.59 | 21.4 | | | 280614-1 | | | 280613-2 | | | | 280613-4 | | | | 280613-3 |
| | 10 | 37.9 | 35.66 | 17.5 | | | 280613-1 | | | 280612-2 | | | | 280612-4 | | | | 280612-3 |
| | 8 | 30.0 | 27.74 | 13.5 | | | 280612-1 | | | 280611-2 | | | | 280611-4 | | | | 280611-3 |
| | 6 | 22.1 | 19.81 | 9.5 | | | 280611-1 | | | 280610-2 | | | | 280610-4 | | | | 280610-3 |
| | 4 | 14.2 | 11.89 | 5.6 | | | 280610-1 | | | 280609-2 | | | | 280609-4 | | | | 280609-3 |
| | 2 | 6.2 | 3.96 | 1.6 | | | 280609-1 | | | | | | | | | | | |
| N° POS. | DIM. "A" | DIM. "B" | DIM. "C" | | | | P.N. STAGNATO (TIN PLTD. VERSION) | | | DORATO 0.37µm AREA CONTATTO, STAGNATO NELLA ZONA A SALDARE (0.37µm GOLD PLTD ON CONTACT AREA, TIN PLTD ON SOLDER TAIL) | | | | DORATO 0.76µm AREA CONTATTO, STAGNATO NELLA ZONA A SALDARE (0.76µm GOLD PLTD ON CONTACT AREA, TIN PLTD ON SOLDER TAIL) | | | | DORATO 1.27µm AREA CONTATTO, STAGNATO NELLA ZONA A SALDARE (1.27µm GOLD PLTD ON CONTACT AREA, TIN PLTD ON SOLDER TAIL) |

CUSTOMER DRAWING FOR REFERENCE ONLY / DISEGNO PER CLIENTE SOLO PER RIFERIMENTO

THIS DRAWING IS UNPUBLISHED / RELEASE FOR PUBLICATION 19

TOLLERANZE, SE NON DIVERSAMENTE SPECIFICATO (TOLERANCES, UNLESS OTHERWISE SPECIFIED) ± 0.4
ANGOLI (ANGLES) ± 2°
DIAM. ISOLANTE (INS. DIA. RANGE) -
RANGO FILO (WIRE RANGE) -
SCALA (SCALE) -



DIS. (DR.) 27-06-1991 C.CORDOLA / DESCRIZIONE (DESCRIPTION) AMP-MODU MODI STRAIGHT VERSION POST SUPPORT ASS'Y

| | | | |
|-----------------|-----------------------------|------------|-------------|
| R2 | REVISED PER ECO-11-005140 | HMR | 24MAY11 |
| REV. (REV. NO.) | REVISIONI (REVISION RECORD) | DIS. (DR.) | APP. (APP.) |

| | | |
|-----------------|------------------------|------------------|
| CONT. (CHK.) | R. Cantore | 6-3-1991 |
| LOC. (LOC.) | SIZE (SIZE) | NUMERO (DWG NO.) |
| I | A3 | C-280609 |
| REV. (REV. NO.) | FOGLIO (SHEET) DI (OF) | |
| R2 | 1 | 1 |

DISTRIBUZIONE (PRINT DIST.)

X-ON Electronics

Largest Supplier of Electrical and Electronic Components

Click to view similar products for [Headers & Wire Housings](#) category:

Click to view products by [TE Connectivity](#) manufacturer:

Other Similar products are found below :

[892-18-020-10-001101](#) [58102-G61-06LF](#) [582553-1](#) [0009485154](#) [009176003701906](#) [0050291907](#) [LY20-4P-DT1-P1E-BR](#) [02.125.8002.8](#)
[609-3404](#) [61062-3](#) [61082-181009](#) [622-3653LF](#) [63453-116](#) [636-1030](#) [636-1427](#) [636-3427](#) [636-4007](#) [641938-9](#) [641991-4](#) [644827-2](#) [65817-](#)
[010LF](#) [65817-015LF](#) [65863-015LF](#) [66207-023LF](#) [67095-007LF](#) [67601157](#) [68645-018](#) [68648-049](#) [70.362.1628.0](#) [70-4210](#) [70-4226B](#) [70-](#)
[4853B](#) [707-5020](#) [707-5028](#) [71.350.2428.0](#) [71918-208LF](#) [71961-016LF](#) [733-134](#) [733-162](#) [754199-000](#) [760-3052](#) [787-8014-00](#) [79531-3000](#)
[FCN-360C032-B](#) [FCN-367T-T012/H](#) [FCN-723D010/2](#) [80.063.4001.1](#) [800-90-001-10-001000](#) [800-90-010-10-002000](#) [801-43-002-10-013000](#)