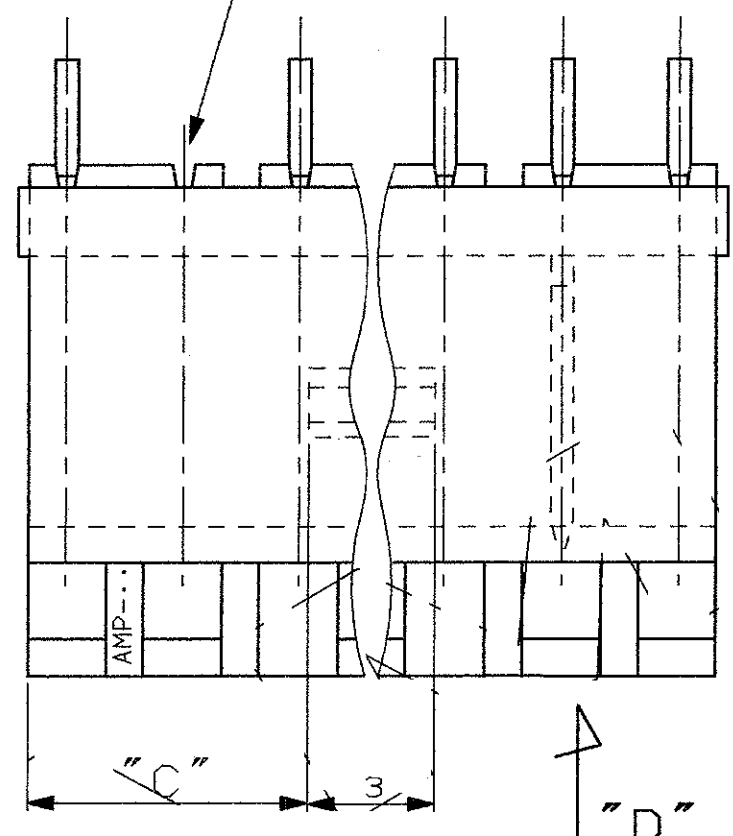
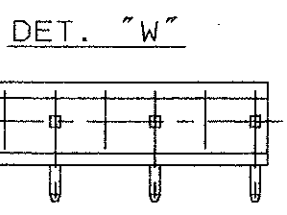


N° POS.	POS. MANCANTI RIF. A DET. UNLOADED POS. REF. TO DETAIL	DIM. "A"	DIM. "B"	DIM. "C"	P.N. STAGNATO (TIN PLTD. VERSION)	DORATO 0.37µm AREA CONTATTO STAGNATO NELLA ZONA A SALDARE	DORATO 0.76µm AREA CONTATTO STAGNATO NELLA ZONA A SALDARE	DORATO 1.27µm AREA CONTATTO STAGNATO NELLA ZONA A SALDARE
12	-	45.9	43.59	21.4	280620-1	280620-2	280620-4	280620-3
10	-	37.9	35.66	17.5	280619-1	280619-2	280619-4	280619-3
8	-	30.0	27.74	13.5	280618-1	280618-2	280618-4	280618-3
6	DET. "W"	22.1	15.85	9.5	282468-1	-	-	-
6	-	22.1	19.81	9.5	280617-1	280617-2	280617-4	280617-3
4	-	14.2	11.89	5.6	280616-1	280616-2	280616-4	280616-3
2	-	6.2	3.96	1.6	280615-1	280615-2	280615-4	280615-3
						0.37µm GOLD PLTD ON CONTACT AREA TIN PLTD ON SOLDER TAIL	0.76µm GOLD PLTD ON CONTACT AREA TIN PLTD ON SOLDER TAIL	1.27µm GOLD PLTD ON CONTACT AREA TIN PLTD ON SOLDER TAIL



DET. VIEWS FROM "D"



CONTATTI: BRONZO PER VERSIONE STAGNATA (CONTACTS) (PH BRONZE FOR TIN PLTD. VERSION ONLY)
 OTTONE PER LA VERSIONE DORATA (BRASS FOR GOLD PLTD VERSION.)

BLOCCETTO: POLICARBONATO CARICATO VETRO COLORE VERDE (HOUSING) (POLYCARBONATE GLAS FIBER FILLED COLOUR GREEN)

MATERIALE (MATERIAL)

CUSTOMER DRAWING FOR REFERENCE ONLY
 DISEGNO PER CLIENTE SOLO PER RIFERIMENTO

THIS DRAWING IS UNPUBLISHED
 RELEASE FOR PUBLICATION 19

© COPYRIGHT 19 BY TE INCORPORATED, HARRISBURG, PA. ALL INTERNATIONAL RIGHT RESERVED. TE PRODUCTS MAY BE COVERED BY U.S. AND FOREIGN PATENT AND/OR PATENT PENDING

TOLLERANZE, SE NON DIVERSAMENTE SPECIFICATO (TOLERANCES, UNLESS OTHERWISE SPECIFIED)	DIAM. ISOLANTE (INS. DIA. RANGE)	RANGO FILO (WIRE RANGE)	SCALA (SCALE)
± 0.4	-	-	-

ANGOLI (ANGLES) ± 2°
 DIS. 27-09-1991
 C. CORDOLA

DESCRIZIONE (DESCRIPTION)
 AMP-MODU MOD. I RIGHT ANGLE POST SUPPORT ASS Y
 DATED 6-3-1974

LOC. SIZE NUMERO (DWG NO)
 I A3 C-280615 S2
 REV. FOGLIO (SHEET) 1 DI (OF) 1

- 1 EVENTUALE POSIZIONE DEI CONTATTI MANCANTI, VEDERE DETTAGLI (POSITIONS OF UNLOADED CONTACTS , SEE DETAILS)
- 2 TOLLERANZA NON CUMULATIVA (NOT CUMULATIVE TOLERANCE)
- 3 ALLA BASE (AT BASE)
- 4 DIMENSIONE MISURATA ALLA BASE DEI POSTS (POSTS BASE DIMENSION)
- 5 NOT IN PRODUCTION
- 6 P/N OBSOLETO (OBSOLETE P/N)
- 7 PER VERSIONI CARICATE PARZIALMENTE LA DIMENSIONE "B" E' MISURATA TRA IL PRIMO E L'ULTIMO CONTATTO DISPONIBILE (FOR PARTIALLY LOADED VERSION , DIM "B" IS MEASURED BETWEEN FIRST AND LAST AVAILABLE CONTACT)

- 8 SUPERSEDED
 280615-3 SUPERSEDED BY 280615-2
 280616-3 SUPERSEDED BY 280616-2
- 9 OBSOLETE PARTS: OBSOLETE CIS STREAMLINING PER D.RENAUD/D.SINISI
- 10 OBSOLETE

S2	ECR-10-022530	KK	28MAY11
S1	REVISED PER ECO-09-021826	KK	JAN10
S	OBSOLETE P/N's ET00-0244-97	F.B.	20NOV 97
R	OBSOLETE P/N's 280615-3 AND 280616-3 (ET00-478-96)	C.P.	14 Nov '96
P	REV. PER EC ET00-0030 -94	C.C.	FEB 94
N	P.N. 282468-1 WAS IA92-51085	C.C.	10-92
M	ADDED IA92-51085 CANCELLED 15 POS. PROPOSAL REDRAWN	C.C.	3-92
L	ADDED 0.76µGOLD VERSION	A.B.	6-85
J	ADDED P.C.B. LAYOUT	Z.R.	1-83
H	ADDED FINISH NOTE	A.B.	10-82
E	ADDED DASH 3	R.G.	9-78
REV.	REVISIONI (REVISION RECORD)	DIS. DATA (DR) (DATE)	APP. (APP.)

DISTRIBUZIONE (PRINT DIST.)

X-ON Electronics

Largest Supplier of Electrical and Electronic Components

Click to view similar products for [Headers & Wire Housings](#) category:

Click to view products by [TE Connectivity](#) manufacturer:

Other Similar products are found below :

[892-18-020-10-001101](#) [58102-G61-06LF](#) [582553-1](#) [0009485154](#) [009176003701906](#) [0050291907](#) [LY20-4P-DT1-P1E-BR](#) [02.125.8002.8](#)
[609-3404](#) [61062-3](#) [61082-181009](#) [622-3653LF](#) [63453-116](#) [636-1030](#) [636-1427](#) [636-3427](#) [636-4007](#) [641938-9](#) [641991-4](#) [644827-2](#) [65817-](#)
[010LF](#) [65817-015LF](#) [65863-015LF](#) [66207-023LF](#) [67095-007LF](#) [67601157](#) [68645-018](#) [68648-049](#) [70.362.1628.0](#) [70-4210](#) [70-4226B](#) [70-](#)
[4853B](#) [707-5020](#) [707-5028](#) [71.350.2428.0](#) [71918-208LF](#) [71961-016LF](#) [733-134](#) [733-162](#) [754199-000](#) [760-3052](#) [787-8014-00](#) [79531-3000](#)
[FCN-360C032-B](#) [FCN-367T-T012/H](#) [FCN-723D010/2](#) [80.063.4001.1](#) [800-90-001-10-001000](#) [800-90-010-10-002000](#) [801-43-002-10-013000](#)