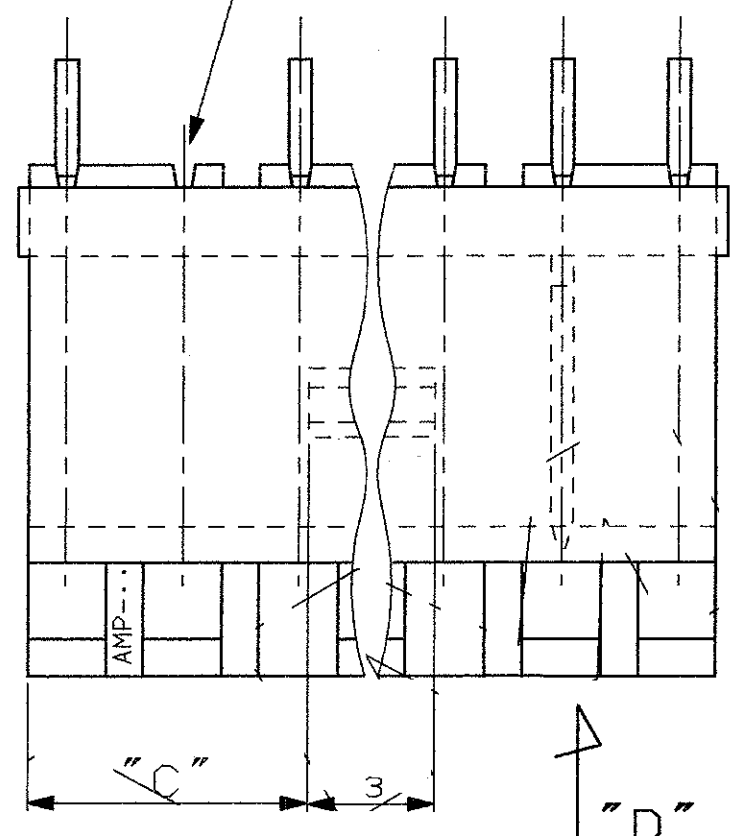
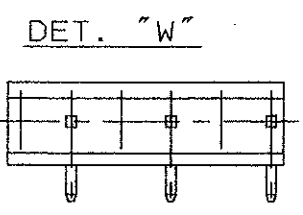


N° POS.	POS. MANCANTI RIF. A DET. UNLOADED POS. REF. TO DETAIL	DIM. "A"	DIM. "B"	DIM. "C"	P.N. STAGNATO (TIN PLTD. VERSION)	DORATO 0.37µm AREA CONTATTO STAGNATO NELLA ZONA A SALDARE 0.37µm GOLD PLTD ON CONTACT AREA TIN PLTD ON SOLDER TAIL	DORATO 0.76µm AREA CONTATTO STAGNATO NELLA ZONA A SALDARE 0.76µm GOLD PLTD ON CONTACT AREA TIN PLTD ON SOLDER TAIL	DORATO 1.27µm AREA CONTATTO STAGNATO NELLA ZONA A SALDARE 1.27µm GOLD PLTD ON CONTACT AREA TIN PLTD ON SOLDER TAIL
12	-	45.9	43.59	21.4	280620-1	280620-2	280620-4	280620-3
10	-	37.9	35.66	17.5	280619-1	280619-2	280619-4	280619-3
8	-	30.0	27.74	13.5	280618-1	280618-2	280618-4	280618-3
6	DET. "W"	22.1	15.85	9.5	282468-1	-	-	-
6	-	22.1	19.81	9.5	280617-1	280617-2	280617-4	280617-3
4	-	14.2	11.89	5.6	280616-1	280616-2	280616-4	280616-3
2	-	6.2	3.96	1.6	280615-1	280615-2	280615-4	280615-3



DET. VIEWS FROM "D"



- ① EVENTUALE POSIZIONE DEI CONTATTI MANCANTI, VEDERE DETTAGLI (POSITIONS OF UNLOADED CONTACTS , SEE DETAILS)
- ② TOLLERANZA NON CUMULATIVA (NOT CUMULATIVE TOLERANCE)
- ③ ALLA BASE (AT BASE)
- ④ DIMENSIONE MISURATA ALLA BASE DEI POSTS (POSTS BASE DIMENSION)
- ⑤ NOT IN PRODUCTION
- ⑥ P/N OBSOLETO (OBSOLETE P/N)
- ⑦ PER VERSIONI CARICATE PARZIALMENTE LA DIMENSIONE "B" E' MISURATA TRA IL PRIMO E L'ULTIMO CONTATTO DISPONIBILE (FOR PARTIALLY LOADED VERSION , DIM "B" IS MEASURED BETWEEN FIRST AND LAST AVAILABLE CONTACT)

- ⑧ SUPERSEDED
 280615-3 SUPERSEDED BY 280615-2
 280616-3 SUPERSEDED BY 280616-2
- ⑨ OBSOLETE PARTS: OBSOLETE CIS STREAMLINING PER D.RENAUD/D.SINISI
- ⑩ OBSOLETE

CONTATTI: BRONZO PER VERSIONE STAGNATA (CONTACTS) (PH BRONZE FOR TIN PLTD. VERSION ONLY)
 OTTONE PER LA VERSIONE DORATA (BRASS FOR GOLD PLTD VERSION.)

BLOCCETTO: POLICARBONATO CARICATO VETRO COLORE VERDE (HOUSING) POLYCARBONATE GLAS FIBER FILLED COLOUR GREEN

MATERIALE (MATERIAL)

CUSTOMER DRAWING FOR REFERENCE ONLY **DISEGNO PER CLIENTE SOLO PER RIFERIMENTO**

THIS DRAWING IS UNPUBLISHED RELEASE FOR PUBLICATION 19

© COPYRIGHT 1991 BY TE INCORPORATED, HARRISBURG, PA. ALL INTERNATIONAL RIGHT RESERVED. TE PRODUCTS MAY BE COVERED BY U.S. AND FOREIGN PATENT AND/OR PATENT PENDING

TOLLERANZE, SE NON DIVERSAMENTE SPECIFICATO (TOLERANCES, UNLESS OTHERWISE SPECIFIED)

± 0.4
 ANGOLI (ANGLES) ± 2°

DESCRIZIONE (DESCRIPTION)
 AMP-MODU MOD. I RIGHT ANGLE POST SUPPORT ASSY

LOC. SIZE NUMERO (DWG NO) REV. FOGLIO (SHEET)

I A3 C-280615 S2 1 DI (OF) 1

REV.	REVISIONI (REVISION RECORD)	DIS. DATA (DR) (DATE)	APP. (APP.)
S2	ECR-10-022530	KK	28MAY11
S1	REVISED PER ECO-09-021826	KK	JAN10
S	OBSOLETE P/N's ET00-0244-97	F.B.	14 Nov '97
R	OBSOLETE P/N's 280615-3 AND 280616-3 (ET00-478-96)	C.P.	14 Nov '96
P	REV. PER EC ET00-0030 -94	C.C.	16 FEB '94
N	P.N. 282468-1 WAS IA92-51085	C.C.	10-92
M	ADDED IA92-51085 CANCELLED 15 POS. PROPOSAL REDRAWN	C.C.	3-92
L	ADDED 0.76µGOLD VERSION	A.B.	6-85
J	ADDED P.C.B. LAYOUT	Z.R.	1-83
H	ADDED FINISH NOTE	A.B.	10-82
E	ADDED DASH 3	R.G.	9-78

DISTRIBUZIONE (PRINT DIST.)

X-ON Electronics

Largest Supplier of Electrical and Electronic Components

Click to view similar products for [Headers & Wire Housings](#) category:

Click to view products by [TE Connectivity](#) manufacturer:

Other Similar products are found below :

[892-18-020-10-001101](#) [58102-G61-06LF](#) [582553-1](#) [0009485154](#) [009176003701906](#) [0050291907](#) [LY20-4P-DT1-P1E-BR](#) [02.125.8002.8](#)
[609-3404](#) [61062-3](#) [61082-181009](#) [622-3653LF](#) [63453-116](#) [636-1030](#) [636-1427](#) [636-3427](#) [636-4007](#) [641938-9](#) [641991-4](#) [644827-2](#) [65817-](#)
[010LF](#) [65817-015LF](#) [65863-015LF](#) [66207-023LF](#) [67095-007LF](#) [67601157](#) [68645-018](#) [68648-049](#) [70.362.1628.0](#) [70-4210](#) [70-4226B](#) [70-](#)
[4853B](#) [707-5020](#) [707-5028](#) [71.350.2428.0](#) [71918-208LF](#) [71961-016LF](#) [733-134](#) [733-162](#) [754199-000](#) [760-3052](#) [787-8014-00](#) [79531-3000](#)
[FCN-360C032-B](#) [FCN-367T-T012/H](#) [FCN-723D010/2](#) [80.063.4001.1](#) [800-90-001-10-001000](#) [800-90-010-10-002000](#) [801-43-002-10-013000](#)