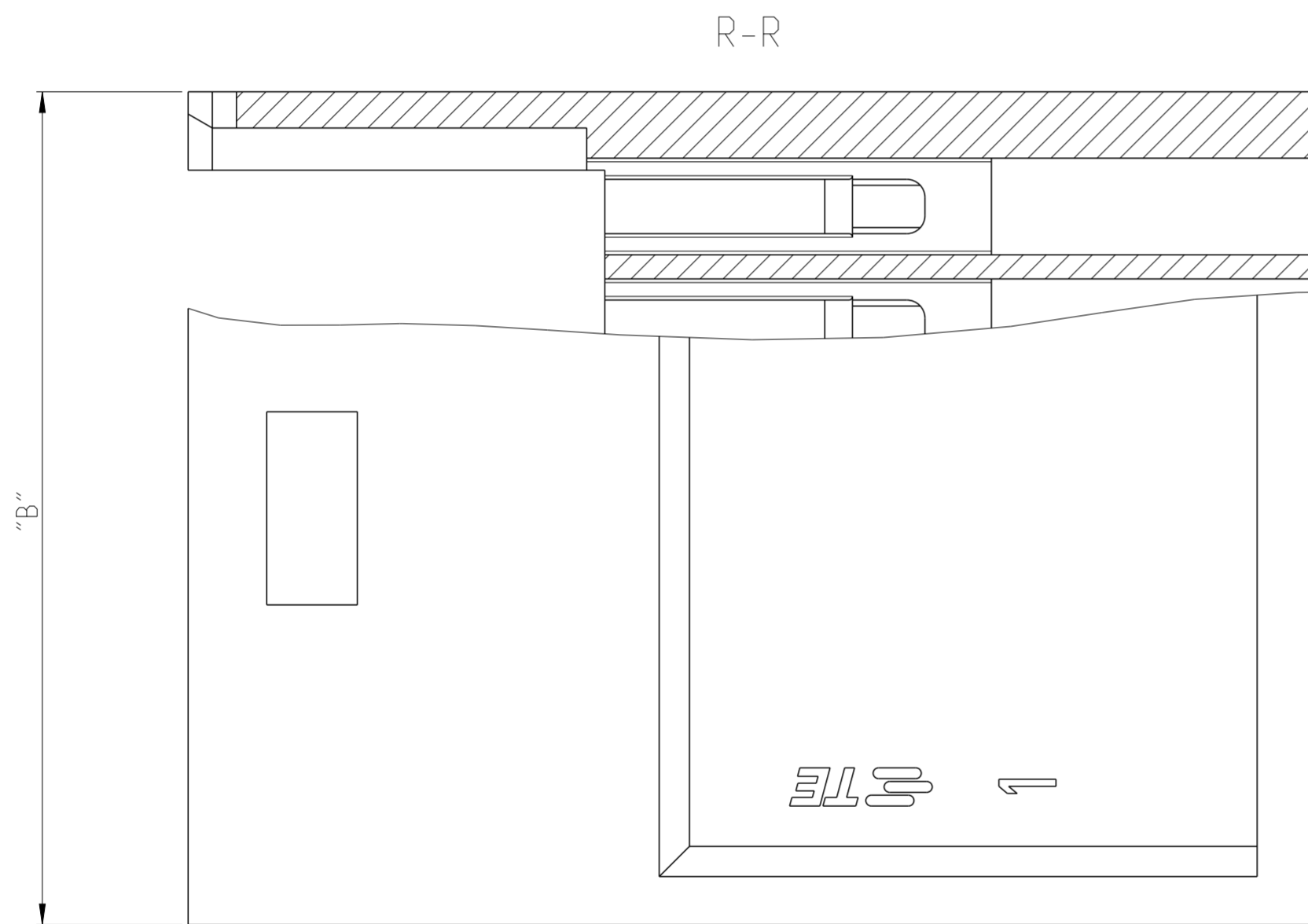
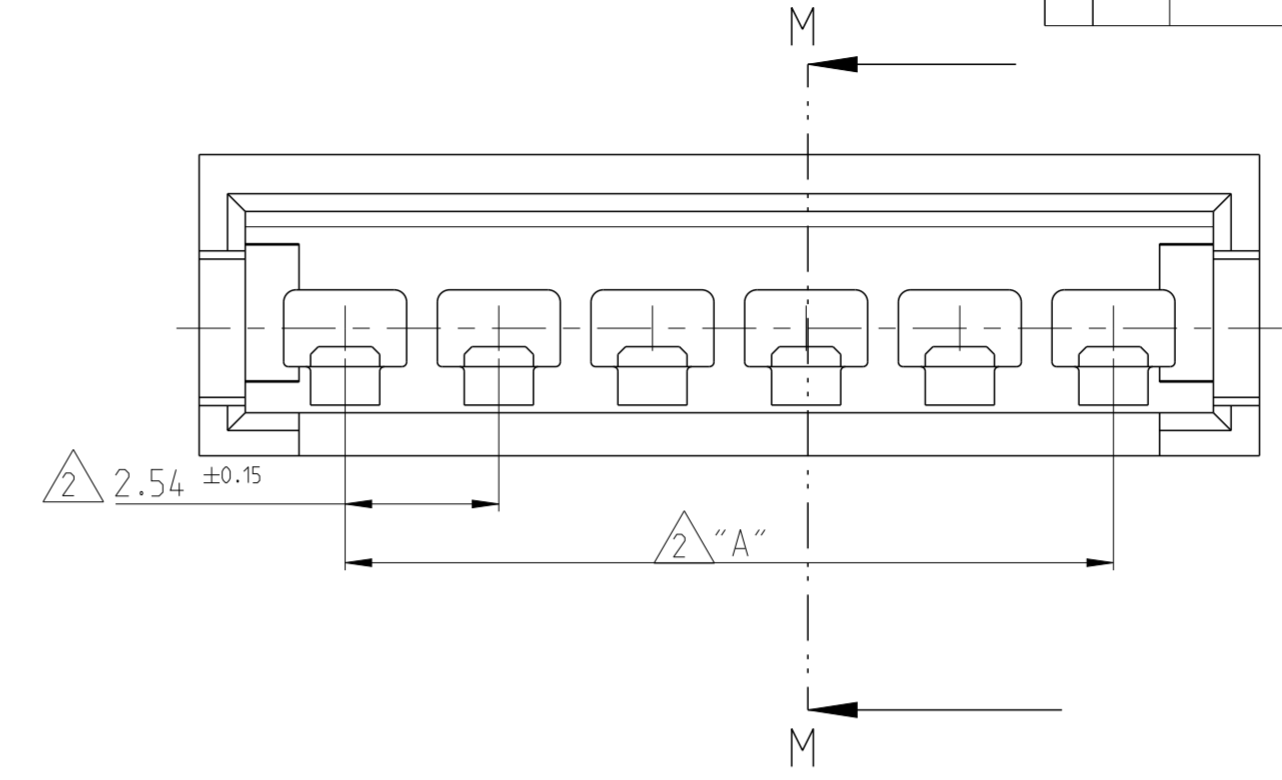
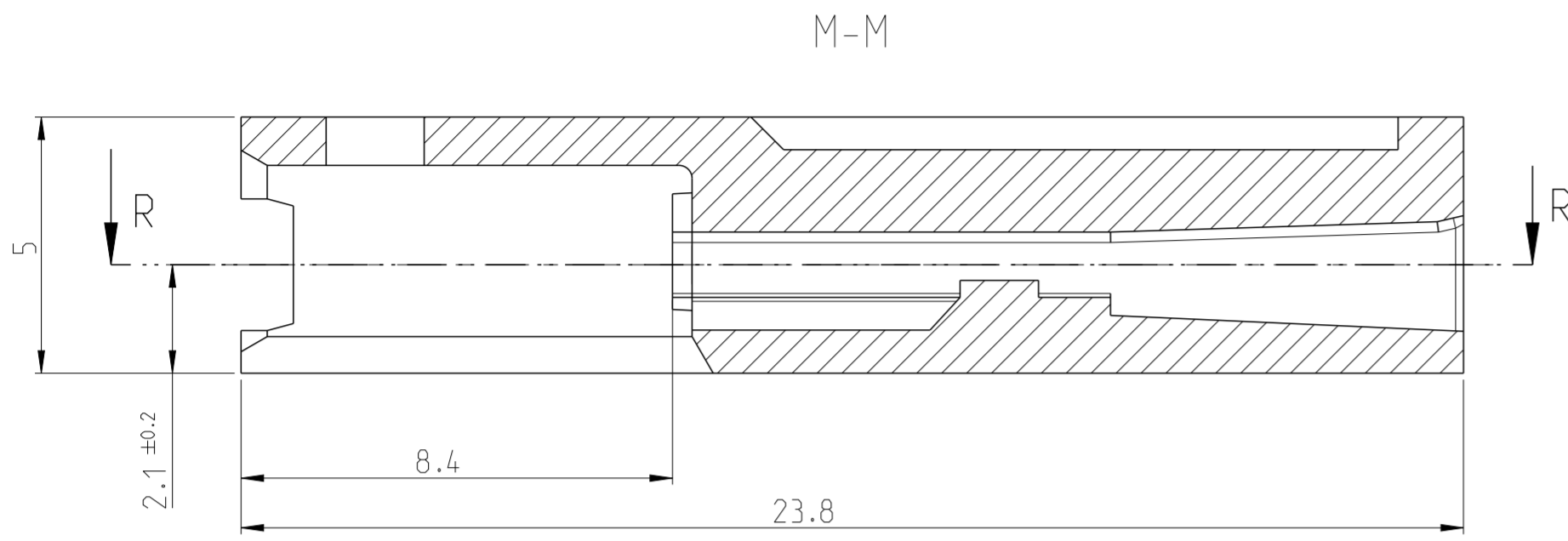


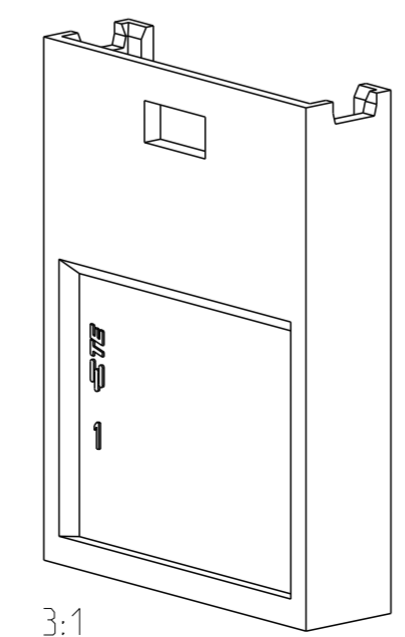
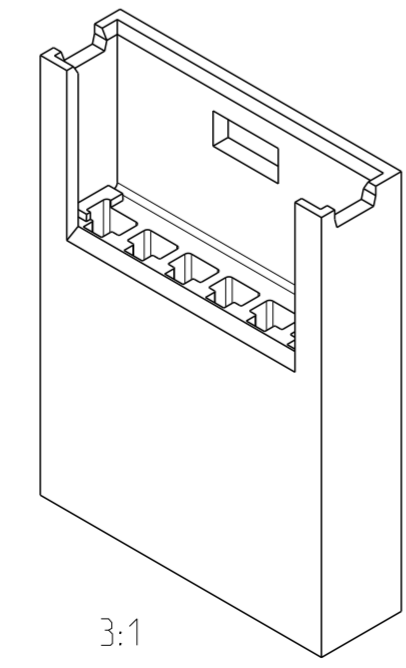
THIS DRAWING IS UNPUBLISHED. RELEASED FOR PUBLICATION 20  
 © COPYRIGHT 20 BY - ALL RIGHTS RESERVED.

REVISIONS				
P	LTR	DESCRIPTION	DATE	APVD
J		MATERIAL CHANGE TO LCP	16OCT2018	KJK PS



- NOTES:
- 1 LCP, BLACK, UL94V-0
  - 2 TOLERANCE NOT CUMULATIVE
  - 3 PA6.6 15% GF, RED
  - 4 OBSOLETE

NUM OF POS	PART NUMBER	DIM "A"	DIM "B"	MATERIAL
4	284072-1	7.62	12.5	3
2	284071-1	2.54	7.4	
22	280636	53.54	58.2	1
15	280635	35.56	40.4	
12	280634	27.94	32.8	
10	280633	22.86	27.7	
9	280632	20.32	25.1	
8	280631	17.78	22.6	
6	280630	12.70	17.5	
4	280629	7.62	12.5	
2	280628	2.54	7.4	



THIS DRAWING IS A CONTROLLED DOCUMENT.

DIMENSIONS: mm	TOLERANCES UNLESS OTHERWISE SPECIFIED: ±0.3	DWN KARTHIK J K 15OCT2018	<b>STE</b> TE Connectivity
	0 PLC ±	CHK SHARATH S 16OCT2018	
	1 PLC ±	APVD PRASHANTH S 16OCT2018	NAME AMPMODU II PIN HOUSING SINGLE ROW, CRIMP SNAP-IN
	2 PLC ±	PRODUCT SPEC 108-20025	SIZE A2
	3 PLC ±	APPLICATION SPEC -	CAGE CODE 00779
	4 PLC ±	WEIGHT -	DRAWING NO C-280628
	ANGLES ±2°	CUSTOMER DRAWING	RESTRICTED TO
	FINISH -	SCALE 8:1	SHEET 1 OF 1
			REV J

## X-ON Electronics

Largest Supplier of Electrical and Electronic Components

*Click to view similar products for [Headers & Wire Housings](#) category:*

*Click to view products by [TE Connectivity](#) manufacturer:*

Other Similar products are found below :

[892-18-020-10-001101](#) [58102-G61-06LF](#) [582553-1](#) [0009485154](#) [009176003701906](#) [0050291907](#) [LY20-4P-DT1-P1E-BR](#) [02.125.8002.8](#)  
[609-3404](#) [61062-3](#) [61082-181009](#) [622-3653LF](#) [63453-116](#) [636-1030](#) [636-1427](#) [636-3427](#) [636-4007](#) [641938-9](#) [641991-4](#) [644827-2](#) [65817-010LF](#) [65817-015LF](#) [65863-015LF](#) [66207-023LF](#) [67095-007LF](#) [67601157](#) [68645-018](#) [68648-049](#) [70.362.1628.0](#) [70-4210](#) [70-4226B](#) [70-4853B](#) [707-5020](#) [707-5028](#) [71.350.2428.0](#) [71918-208LF](#) [71961-016LF](#) [733-134](#) [733-162](#) [754199-000](#) [760-3052](#) [787-8014-00](#) [79531-3000](#)  
[FCN-360C032-B](#) [FCN-367T-T012/H](#) [FCN-723D010/2](#) [80.063.4001.1](#) [800-90-001-10-001000](#) [800-90-010-10-002000](#) [801-43-002-10-013000](#)