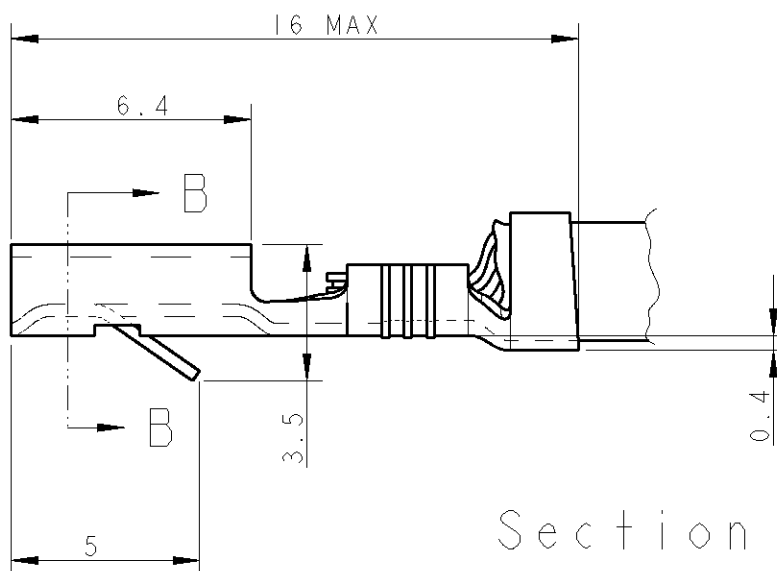
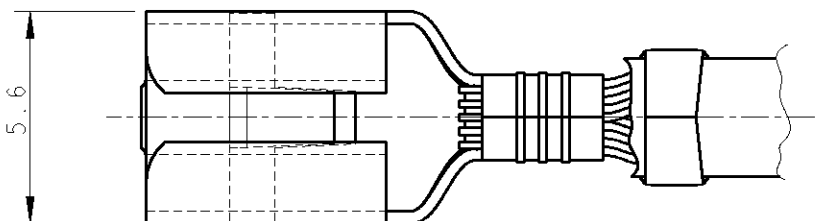


LOC	DIST	REVISIONS					
		P	LTR	DESCRIPTION	DATE	DWN	APVD
			M	REDRAWN ET00-0107-04	06MAY2004	AV	CT
			M1	CHANGED Q.TY PER REEL ET00-0050-05	21APR2005	AV	GT
			M2	REVISED PER ECO-10-000445	09JAN10	KK	AEG

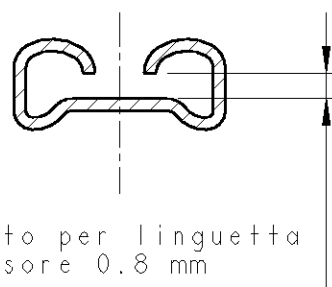


Section B-B

- ⚠ OTTONE P/N 280919-1
BRASS P/N ~~280919-1~~ **OBSELETE** ⚠
- OTTONE STAGNATO 280919-2
- TIN BRASS P/N 280919-2
- BRONZO FOSF. STAGNATO 280919-4
- TIN PHOS.BRZ. P/N 280919-4

WIRE RANGE 0.5-1.5 mm²
INSULATION 2.3-3.3 mm DIA.

⚠ **OBSELETE PARTS: OBSELETE CIS**
STREAMLINING PER D.RENAUD/D.SINISI



2004

RELEASED FOR PUBLICATION

THIS DRAWING IS UNPUBLISHED.

© COPYRIGHT 2004 BY TYCO ELECTRONICS CORPORATION. ALL RIGHTS RESERVED.

DIMENSIONS: mm	DWN	A. Vecchia	06MAY2004	MATERIAL	⚠	FINISH	-
	CHK	C. Tartari	06MAY2004	tyco Electronics AMP Italia S.p.A. 10093 Collegno TO			
TOLERANCES UNLESS OTHERWISE SPECIFIED:	APVD	C. Tartari	06MAY2004				
0 PLC ±0.4	PRODUCT SPEC	108-20020		NAME	CONTATTO FASTIN-ON FEMMINA SERIE 4.8 mm 4.8 mm SERIES FASTIN-ON RECEPTACLE		
1 PLC ±	APPLICATION SPEC	-		SIZE	CAGE CODE	DRAWING NO	RESTRICTED TO
2 PLC ±	WEIGHT	-		A4	00779	©=280919	-
3 PLC ±	CUSTOMER DRAWING	-		SCALE	5:1	SHEET	1 OF 1
4 PLC ±		-		REV	M2		
ANGLES ±1°							

X-ON Electronics

Largest Supplier of Electrical and Electronic Components

Click to view similar products for [Terminals](#) category:

Click to view products by [TE Connectivity](#) manufacturer:

Other Similar products are found below :

[00-054007-01074-6](#) [00-054007-70206-1](#) [00-054007-70210-8](#) [00-054007-70217-7](#) [00-054007-70226-9](#) [00-054007-70228-3](#) [00-054007-70248-1](#) [00-054007-70256-6](#) [00-054007-70301-3](#) [00-054007-70316-7](#) [0-0320562-0](#) [00-054007-49560-4](#) [00-054007-70209-2](#) [00-054007-70225-2](#) [00-054007-70227-6](#) [00-054007-70231-3](#) [00-054007-70241-2](#) [00-054007-70242-9](#) [00-054007-70244-3](#) [00-054007-70246-7](#) [00-054007-70263-4](#) [00-054007-70288-7](#) [00-054007-70290-0](#) [00-054007-70300-6](#) [00-054007-70304-4](#) [01-2065-1-0216](#) [01-2900-1-04412](#) [00581P0075](#) [600TS-10](#) [60205-1](#) [604200-1](#) [605601-1](#) [60598-1-CUT-TAPE](#) [61314-6-C](#) [61810-3](#) [61-S](#) [61-SN](#) [626-0194](#) [62-NBM-A](#) [62-SN](#) [62-SP](#) [63-S](#) [640179-1](#) [M55155/059I03](#) [M55155/079C01](#) [M55155/099H02](#) [M55155/109H01](#) [M55155/109H02](#) [M55155/12XH05](#) [M55155/16XH02](#)