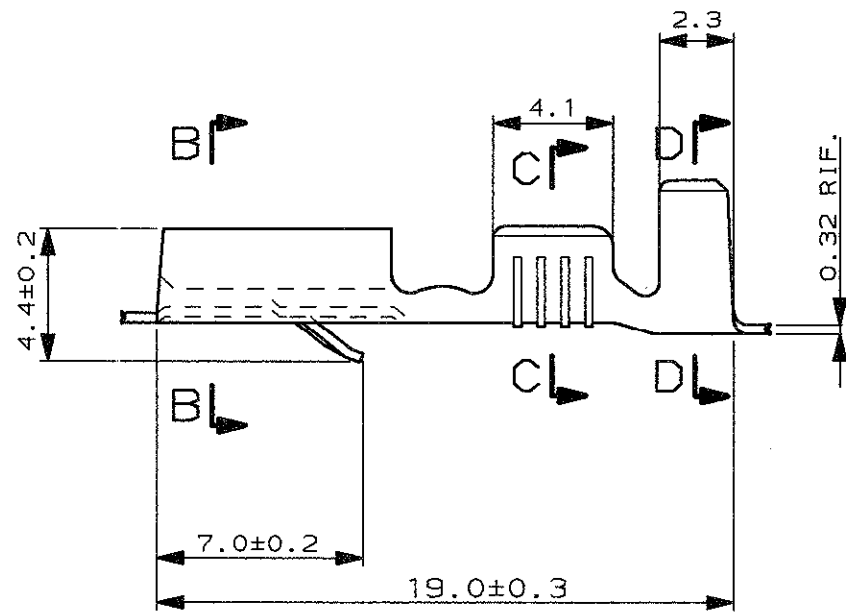


SCALA NON IMPEGNATIVA
(DO NOT SCALE)
DIMENSIONI IN mm
(DIMENSIONS IN mm)

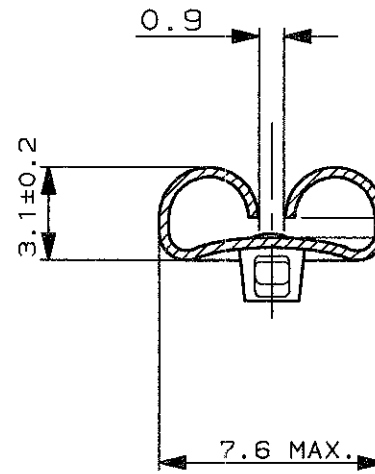
METRIC

PROIEZIONE EUROPEA
(EUROPEAN PROJECTION)

SEZIONE B-B

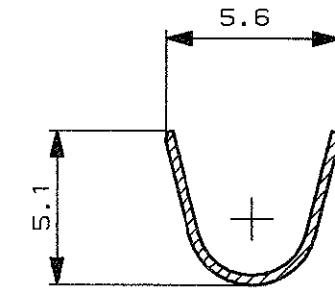


SEZIONE C-C



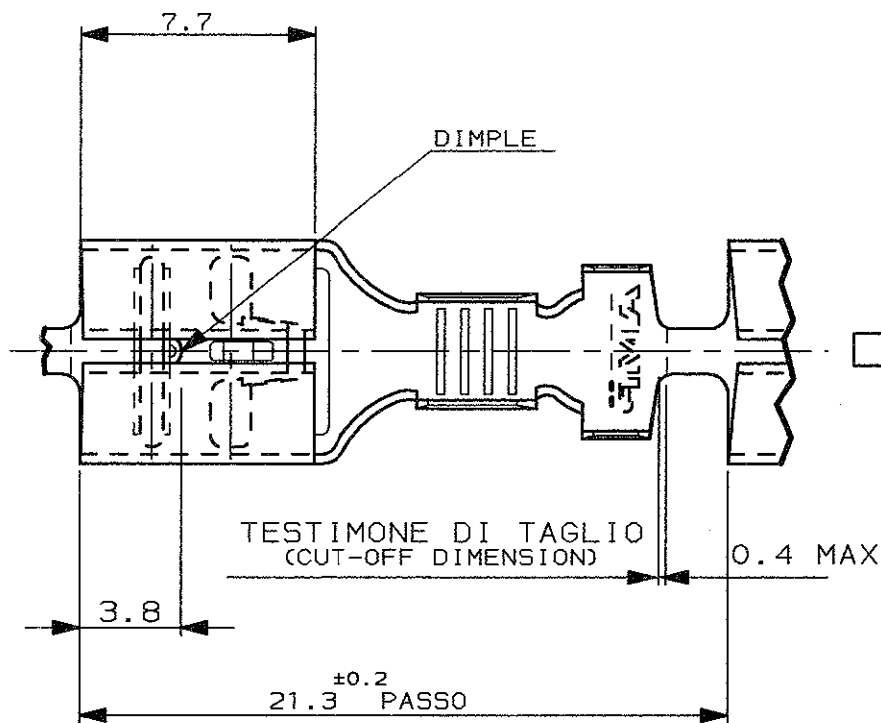
ADATTO PER LINGUETTA DI 0.8 mm. DI SPESSORE
(TO FIT TAB 0.8 mm. THICKNESS)

SEZIONE D-D



1) SPECIFICA DI PRODOTTO : 108-20020 ; SPECIFICA DI APPLICAZIONE : 114-20021
(PRODUCT SPEC. : 108-20020 ; APPLICATION SPEC. : 114-20021)

2) BOBINATO SU BOBINA DA 12" IN CARTONE CON CARTA INTERPOSTA
(REELED ON 12" CARTON TYPE REEL WITH INTERLAYER PAPER STRIP)



SENSO DI USCITA
DEL TERMINALE DALLA BOBINA
(DIRECTION OFF
TOP OF REEL)

STATO DI FORNITURA -SCALA 1:1



PRE-STAGNATO (PRE-TINNED)	OTTONE (BRASS)	280923-2
FINITURA / COLORE (FINISH / COLOUR)	MATERIALE (MATERIAL)	NUMERO (PART NUMBER)

CUSTOMER DWG. FOR REFERENCE ONLY DISEGNO PER CLIENTE SOLO PER RIFERIMENTO

THIS DRAWING IS UNPUBLISHED RELEASE FOR PUBLICATION 19

© COPYRIGHT 19 BY AMP INCORPORATED, HARRISBURG, PA. ALL INTERNATIONAL RIGHT RESERVED. AMP PRODUCTS MAY BE COVERED BY U.S. AND FOREIGN PATENT AND/OR PATENT PENDING

TOLLERANZE, SE NON DIVERSAMENTE SPECIFICATO (TOLERANCES, UNLESS OTHERWISE SPECIFIED)	DIAM. ISOLANTE (INS. DIA. RANGE)	RANGO FILO (WIRE RANGE)	SCALA (SCALE)
± 0.3	2.5-4.3 mm.	0.8-2.5 mm ²	4:1

ANGOLI (ANGLES) ± 2°

AMP AMP ITALIA S.p.A.
Corso F.lli Cervi, 15
COLLEGNO (TORINO)

DIS. 6 GIUGNO 91 (DR.) VERGANO P.

DESCRIZIONE (DESCRIPTION) FASTIN-FASTON® Connector .250"sr. REC. CONTACT (With DIMPLE)

REV. (REV.)	REVISIONI (REVISION RECORD)	DIS. DATA (DR) (DATE)	LOC. SIZE (LOC) (SIZE)	NUMERO (DWG NO)	REV. (REV.)	FOGLIO (SHEET)
R1	CHANGED DIMENSION IN ZONE C/2 ET00-0208-00	H. Y. 25 JUL 2000	CONT. (CHK)			
R	VARIATA MAT. PRIMA E PACKAGING RIDISEGNATO, ET00-0050-00	R. F. 31-05 2000				
I A3				C-280923	R1	1 OF 1

DISTRIBUZIONE (PRINT DIST.)

X-ON Electronics

Largest Supplier of Electrical and Electronic Components

Click to view similar products for [Terminals](#) category:

Click to view products by [TE Connectivity](#) manufacturer:

Other Similar products are found below :

[HT-13-10](#) [71M-250-32-NB](#) [01-2065-1-0216](#) [00581P0075](#) [M10-10RX](#) [M10BCK](#) [60205-1](#) [604200-1](#) [60598-1-CUT-TAPE](#) [60617-1-C](#) [60873-1](#) [M14-516R/SK](#) [M14-6RSX](#) [M18-8FBX](#) [M18-8R/LX](#) [M18BCK](#) [61314-6-C](#) [61-S](#) [61-SN-A](#) [62-NBM-A](#) [63-S](#) [640179-1](#) [640917-2-CUT-TAPE](#) [6501550002](#) [66107-2-C](#) [696683-1](#) [696834-1](#) [696861-1](#) [696931-1](#) [696999-1](#) [M8-516RK](#) [M86700006](#) [MA250DMFMX-A](#) [701-2007](#) [701-2307](#) [701-7761-03](#) [70F-110-32-PB](#) [718-N-A](#) [71M-187-20-NBL](#) [71M-250-32-NBL](#) [72F-187-20-NBL](#) [72M-250-32-NBL](#) [7310](#) [73F-250-32](#) [73F-250-32-NL](#) [F14-10C](#) [F-1M](#) [751-250](#) [76650-5002](#) [76828-149](#)