

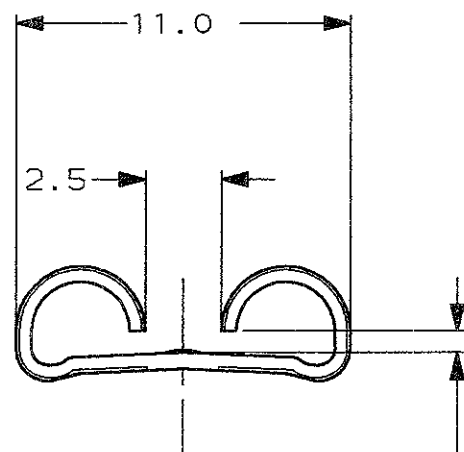
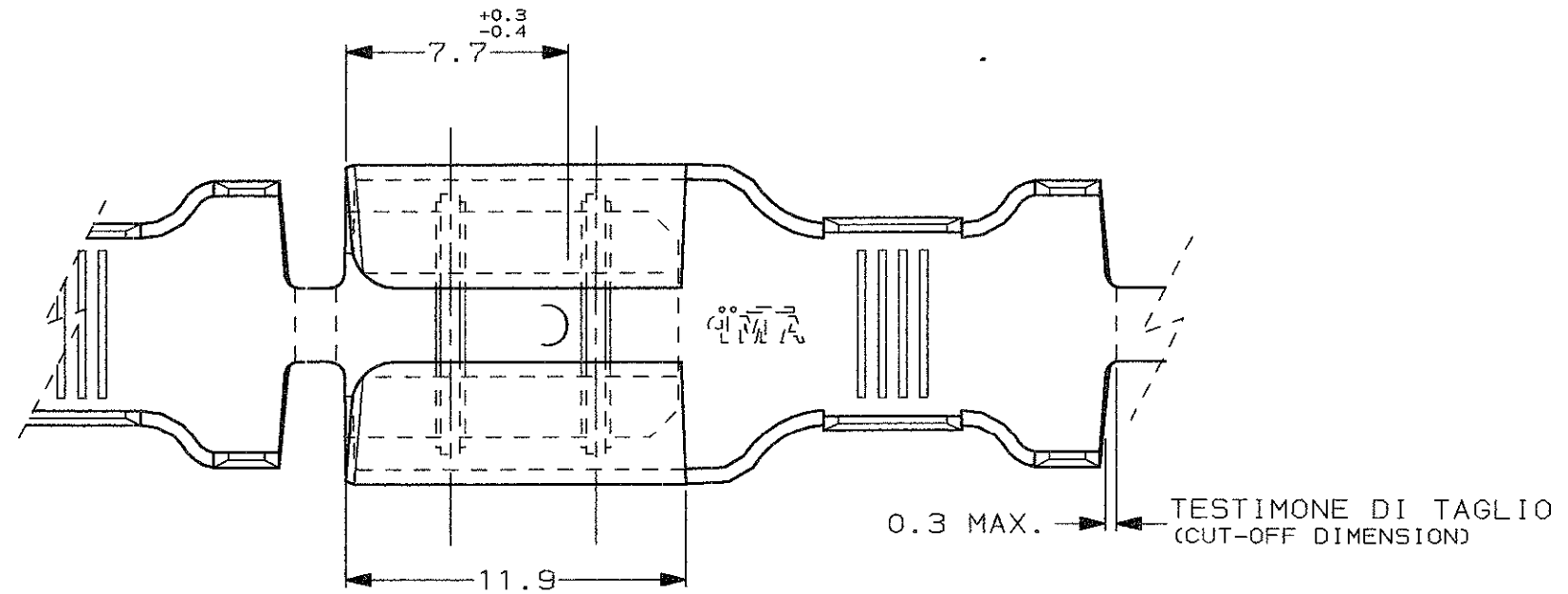
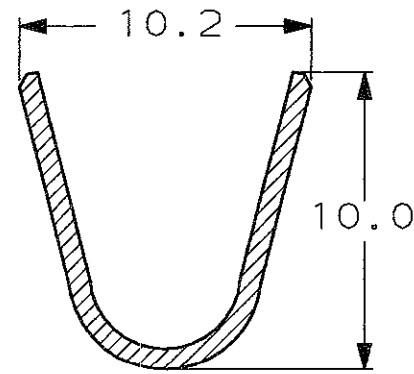
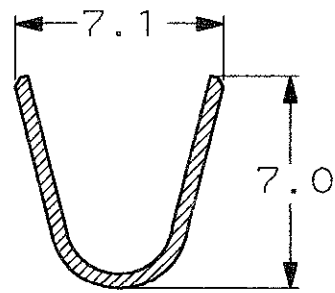
SCALA NON IMPEGNATIVA  
(DO NOT SCALE)  
DIMENSIONI IN mm  
(DIMENSIONS IN mm)

**METRIC**

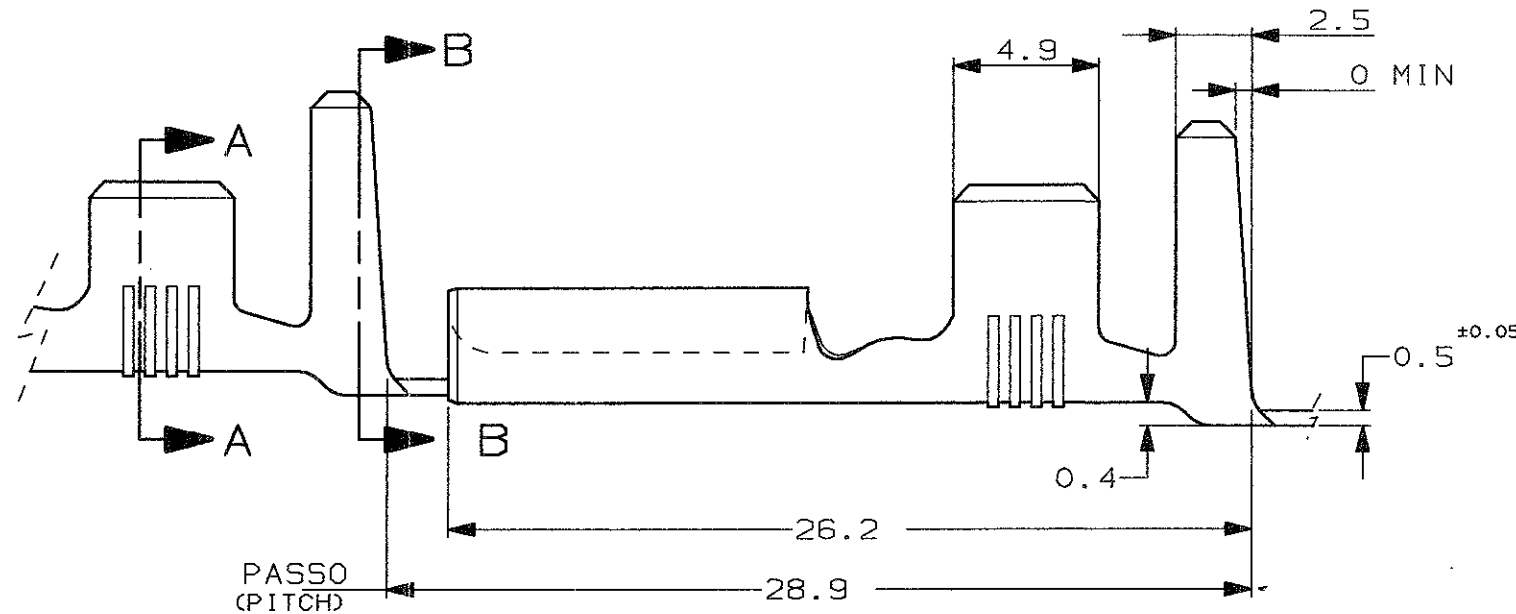
PROIEZIONE EUROPEA  
(EUROPEAN PROJECTION)

SEZIONE A-A  
(SECTION A-A)

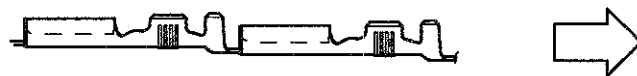
SEZIONE B-B  
(SECTION B-B)



ADATTO PER LINGUETTA DI 1.2 mm  
(TO FIT TAB 1.2 mm THK)



1) STATO DI FORNITURA - SCALA 1:1  
(SUPPLY CONDITION - SCALE 1:1)



2) SPECIFICA DI PRODOTTO 108-20019  
(PROD. SPEC. 108-20019).

SENSO DI USCITA  
DEL TERMINALE  
DALLA BOBINA  
(DIRECTION OFF  
TOP OF REEL)

NOTES	STAGNATO (TIN PLATED) FINITURA / COLORE (FINISH / COLOUR)	OTTONE (BRASS) MATERIALE (MATERIAL)	281091-2	H
			NUMERO (AMP P/N)	REV.

CUSTOMER DWG. FOR REFERENCE ONLY      DISEGNO PER CLIENTE SOLO PER RIFERIMENTO

THIS DRAWING IS UNPUBLISHED      RELEASE FOR PUBLICATION      19

© COPYRIGHT 19 BY AMP INCORPORATED, HARRISBURG, PA. ALL INTERNATIONAL RIGHT RESERVED. AMP PRODUCTS MAY BE COVERED BY U.S. AND FOREIGN PATENT AND/OR PATENT PENDING

TOLLERANZE: SE NON DIVERSAMENTE SPECIFICATO (TOLERANCES, UNLESS OTHERWISE SPECIFIED)	DIAM. ISOLANTE (INS. DIA. RANGE)	RANGO FILO (WIRE RANGE) mm <sup>2</sup>	SCALA (SCALE)
± 0.3	5.1-7.0	6.0-10.0	4:1

ANGOLI (ANGLES) ± 2°

**AMP** AMP ITALIA S.p.A.  
Corso F. LLI Cervi, 15  
COLLEGNO (TORINO)

DIS. R. FABRIS (DR.) 23 MAR 00

DESCRIZIONE (DESCRIPTION) FASTON® Connector .375" sr. REC. CONTACT

REV. (REV.)	REV. (REV.)	LOC. (LOC.)	SIZE (SIZE)	NUMERO (DWG NO)	REV. (REV.)	FOGLIO (SHEET)
H2	H1	I	A3	C-281091	H2	1 OF 1

H2	REVISED ET00-0086-01	H.Y.	17 APR 2001
H1	REVISED ET00-0301-00	H.Y.	14 JUL 2000
H	REVISED & REDRAWN ET00-0201-00	H.Y.	14 JUL 00
REV. (REV.)	REVISIONI (REVISION RECORD)	DIS. (DR)	DATA (DATE)

DISTRIBUZIONE (PRINT DIST.)

## X-ON Electronics

Largest Supplier of Electrical and Electronic Components

*Click to view similar products for [Terminals](#) category:*

*Click to view products by [TE Connectivity](#) manufacturer:*

Other Similar products are found below :

[00-054007-01074-6](#) [00-054007-70206-1](#) [00-054007-70210-8](#) [00-054007-70217-7](#) [00-054007-70226-9](#) [00-054007-70228-3](#) [00-054007-70248-1](#) [00-054007-70256-6](#) [00-054007-70301-3](#) [00-054007-70316-7](#) [00-054007-49560-4](#) [00-054007-70209-2](#) [00-054007-70225-2](#) [00-054007-70227-6](#) [00-054007-70231-3](#) [00-054007-70241-2](#) [00-054007-70242-9](#) [00-054007-70244-3](#) [00-054007-70246-7](#) [00-054007-70263-4](#) [00-054007-70288-7](#) [00-054007-70290-0](#) [00-054007-70300-6](#) [00-054007-70304-4](#) [01-2065-1-0216](#) [01-2900-1-04412](#) [00581P0075](#) [600TS-10](#) [60205-1](#) [604200-1](#) [605601-1](#) [60598-1-CUT-TAPE](#) [61314-6-C](#) [61810-3](#) [61-S](#) [61-SN](#) [626-0194](#) [62-NBM-A](#) [62-SN](#) [62-SP](#) [63-S](#) [640179-1](#) [M55155/059I03](#) [M55155/079C01](#) [M55155/099H02](#) [M55155/109H01](#) [M55155/109H02](#) [M55155/12XH05](#) [M55155/16XH02](#) [M55155/29-5S](#)