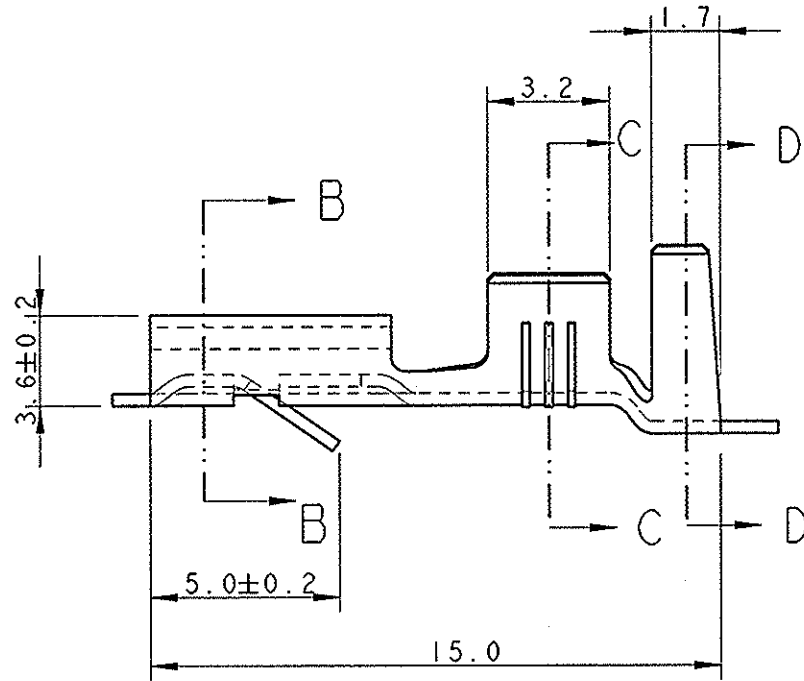
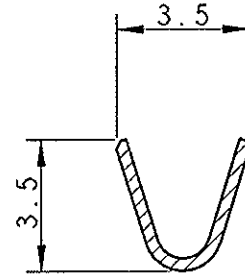


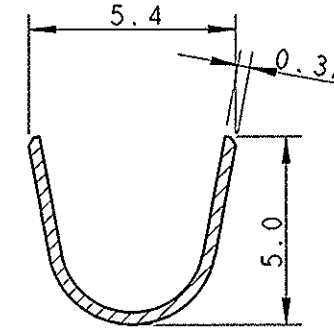
LOC	DIST	REVISIONS					
		P	LTR	DESCRIPTION	DATE	DWN	APVD
1	-	L		REDRAWN CHANGED BASE MTL. ET00-0108-04	17MAY2004	AV	GT
		L1		ECR-17-013482	27DEC17		



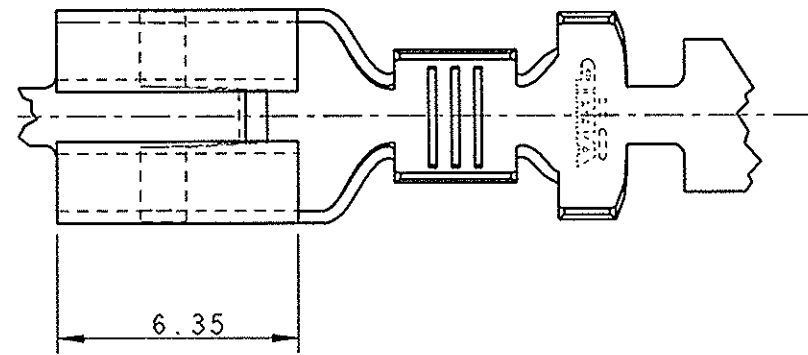
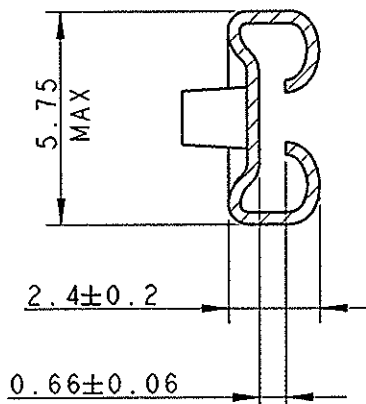
SECTION C-C



SECTION D-D

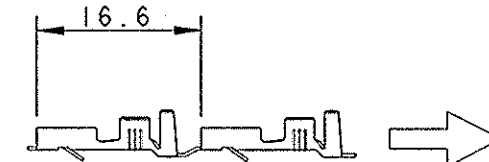


SECTION B-B



ADATTO PER UNA LINGUETTA DI 0.8 mm DI SPESSORE (SUITABLE FOR 0.8 mm THK TAB)

1) CONDIZIONI DI FORNITURA (SUPPLYING CONDITION)



SENSO DI USCITA DELLA BOBINA (DIRECTION OFF TOP OF REEL)

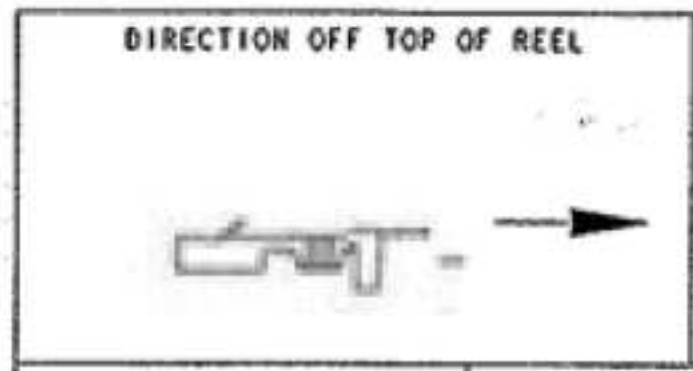
2) BOBINATO SU BOBINA DA 12" CON CARTA INTERPOSTA TRA LE SPIRE (REELED ON 12" CARTON REEL WITH INTERLEAVE PAPER STRIP)

DIAMETRO ISOLANTE 3.0 - 4.3 mm (INS. DIA. RANGE 3.0-4.3mm)

RANGO FILO 1.0-2.5 mm² (WIRE RANGE 1.0-2.5 mm²)

PART NUMBER 281197-2 AS SHOWN

REELING DIRECTION FOR PN 281197-5



THIS DRAWING IS A CONTROLLED DOCUMENT FOR TYCO ELECTRONICS CORPORATION IT IS SUBJECT TO CHANGE AND THE CONTROLLING ENGINEERING ORGANIZATION SHOULD BE CONTACTED FOR THE LATEST REVISION.

DIMENSIONS: mm		TOLERANCES UNLESS OTHERWISE SPECIFIED:	
		0 PLC	±0.3
		1 PLC	±
		2 PLC	±
		3 PLC	±
		4 PLC	±
		ANGLES	±2°
MATERIAL BRONZO FOSFOROSO (PH. BRONZE)		FINISH PRE-STAGNATO (Pre-tin plated)	

DWN	17MAY2004
CHK	A. Vecchia
APVD	G. Tartari
PRODUCT SPEC	G. Turco
APPLICATION SPEC	
WEIGHT	
CUSTOMER DRAWING	

		TE Connectivity	
NAME FASTIN-FASTON Connector 4.8 mm sr. REC. CONTACT			
SIZE	CAGE CODE	DRAWING NO	RESTRICTED TO
A3	00779	C-281197	
SCALE 5:1		SHEET 1 OF 1	REV L1

X-ON Electronics

Largest Supplier of Electrical and Electronic Components

Click to view similar products for [Terminals](#) category:

Click to view products by [TE Connectivity](#) manufacturer:

Other Similar products are found below :

[00-054007-01074-6](#) [00-054007-70206-1](#) [00-054007-70210-8](#) [00-054007-70217-7](#) [00-054007-70226-9](#) [00-054007-70228-3](#) [00-054007-70248-1](#) [00-054007-70256-6](#) [00-054007-70301-3](#) [00-054007-70316-7](#) [00-054007-49560-4](#) [00-054007-70209-2](#) [00-054007-70225-2](#) [00-054007-70227-6](#) [00-054007-70231-3](#) [00-054007-70241-2](#) [00-054007-70242-9](#) [00-054007-70244-3](#) [00-054007-70246-7](#) [00-054007-70263-4](#) [00-054007-70288-7](#) [00-054007-70290-0](#) [00-054007-70300-6](#) [00-054007-70304-4](#) [01-2065-1-0216](#) [01-2900-1-04412](#) [00581P0075](#) [600TS-10](#) [60205-1](#) [604200-1](#) [605601-1](#) [60598-1-CUT-TAPE](#) [61314-6-C](#) [61810-3](#) [61-S](#) [61-SN](#) [626-0194](#) [62-NBM-A](#) [62-SN](#) [62-SP](#) [63-S](#) [640179-1](#) [M55155/059I03](#) [M55155/079C01](#) [M55155/099H02](#) [M55155/109H01](#) [M55155/109H02](#) [M55155/12XH05](#) [M55155/16XH02](#) [M55155/29-5S](#)