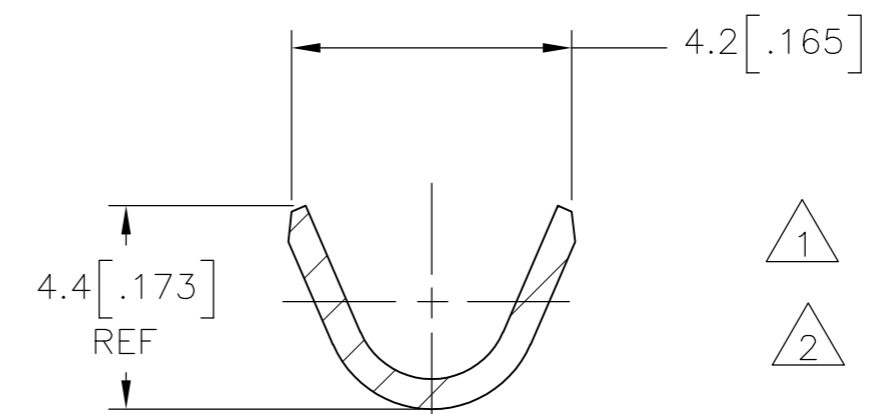
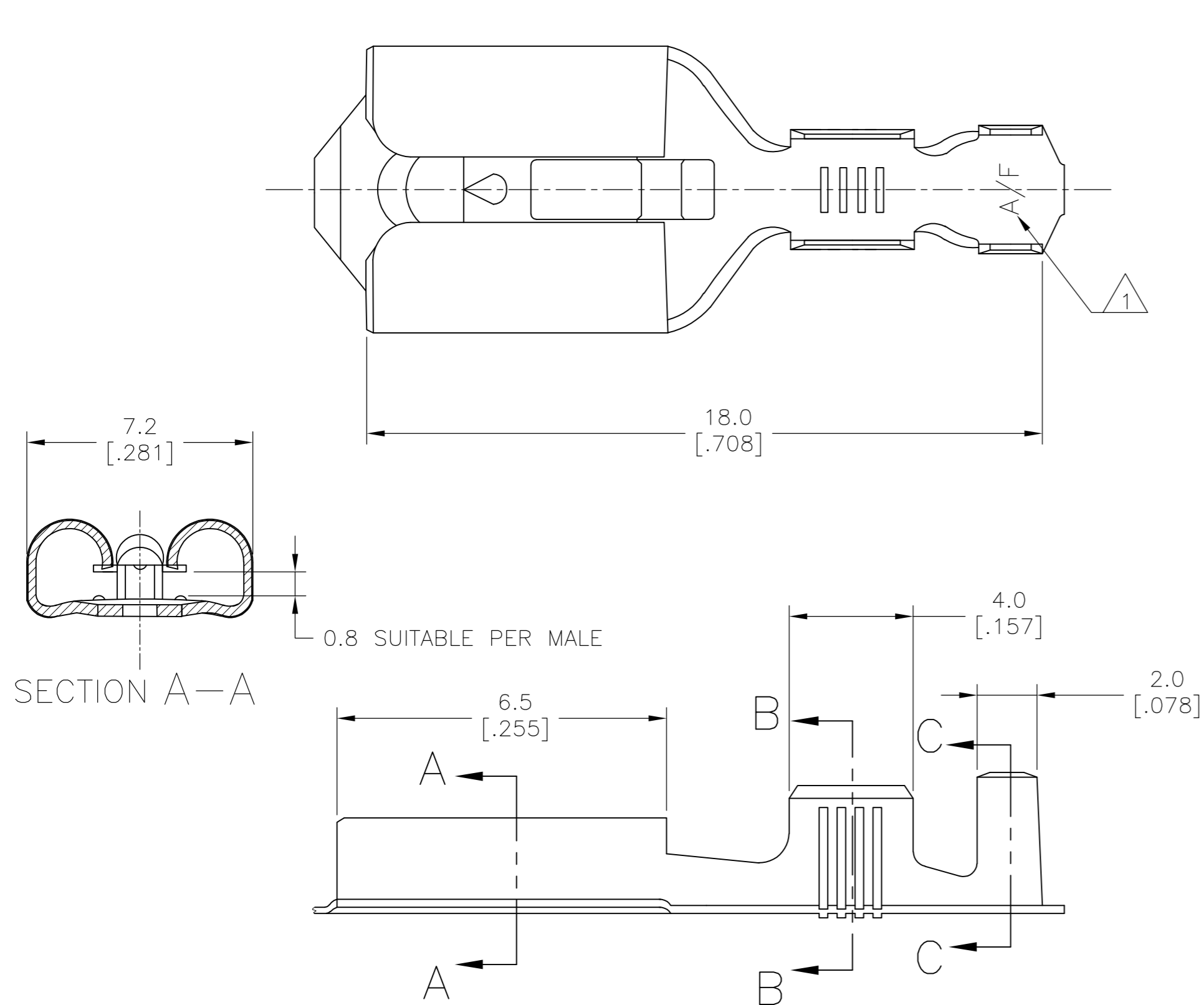
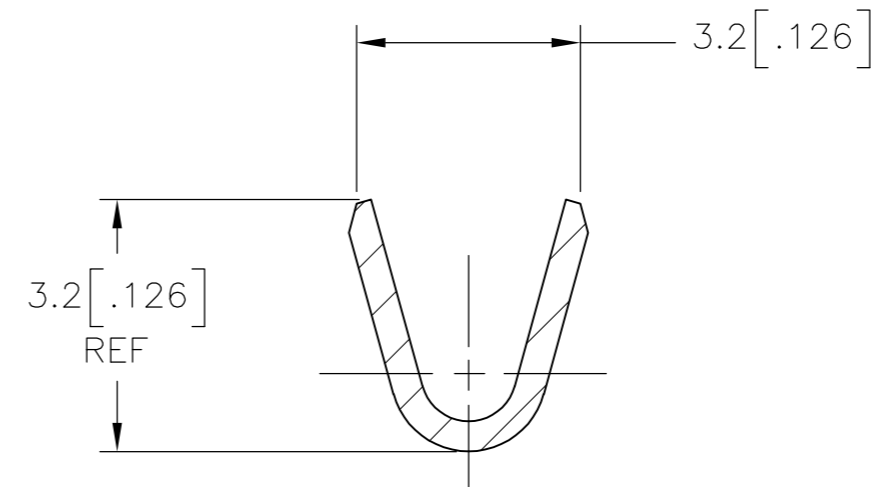


THIS DRAWING IS UNPUBLISHED. RELEASED FOR PUBLICATION  
 © COPYRIGHT - By - ALL RIGHTS RESERVED.

REVISIONS				
P	LTR	DESCRIPTION	DATE	APVD
A		NEW DRAWING	29NOV2016	RS TD



1 TRADE MARK: A/F AS SHOWN, CLEAR AND LEGIBLE.  
 2 OBSOLETE PARTS



SECTION B-B

OBSOLETE	2-702764-5	BRONZE PHOSPHOROUS	<del>281436-1</del>
	2-702774-7	BRASS TINNED	281384-2
	2-702774-7	BRASS	<del>281384-1</del>
	STOCK NO.	MATERIAL	PART NUMBER

THIS DRAWING IS A CONTROLLED DOCUMENT.		DWN 29NOV2016 RAVI S	<b>TE</b> TE Connectivity	
DIMENSIONS: mm [INCHES]		CHK 29NOV2016 LI DAISY		
TOLERANCES UNLESS OTHERWISE SPECIFIED:		APVD 29NOV2016 DING TIM	NAME FEMALE CRIMPED CONTACT FOR 5MM PITCH	
0 PLC ± -		PRODUCT SPEC	SIZE	CAGE CODE
1 PLC ± -		APPLICATION SPEC	A2	00779
2 PLC ± 0.40[.015]		WEIGHT	DRAWING NO C=281384	
3 PLC ± 0.40[.015]		CUSTOMER DRAWING	SCALE	SHEET
4 PLC ± -			1:1	1 of 1
ANGLES ± 1'30"			REV	A
FINISH SEE TABLE				

WIRE RANGE mm <sup>2</sup>	INS. RANGE
0.5-1.5 mm <sup>2</sup>	ø2.2-3.35 mm [0.086-.129]

## X-ON Electronics

Largest Supplier of Electrical and Electronic Components

*Click to view similar products for [Headers & Wire Housings](#) category:*

*Click to view products by [TE Connectivity](#) manufacturer:*

Other Similar products are found below :

[892-18-020-10-001101](#) [58102-G61-06LF](#) [582553-1](#) [0009485154](#) [009176003701906](#) [0050291907](#) [LY20-4P-DT1-P1E-BR](#) [02.125.8002.8](#)  
[609-3404](#) [61062-3](#) [61082-181009](#) [622-3653LF](#) [63453-116](#) [636-1030](#) [636-1427](#) [636-3427](#) [636-4007](#) [641938-9](#) [641991-4](#) [644827-2](#) [65817-010LF](#) [65817-015LF](#) [65863-015LF](#) [66207-023LF](#) [67095-007LF](#) [67601157](#) [68645-018](#) [68648-049](#) [70.362.1628.0](#) [70-4210](#) [70-4226B](#) [70-4853B](#) [707-5020](#) [707-5028](#) [71.350.2428.0](#) [71918-208LF](#) [71961-016LF](#) [733-134](#) [733-162](#) [754199-000](#) [760-3052](#) [787-8014-00](#) [79531-3000](#)  
[FCN-360C032-B](#) [FCN-367T-T012/H](#) [FCN-723D010/2](#) [80.063.4001.1](#) [800-90-001-10-001000](#) [800-90-010-10-002000](#) [801-43-002-10-013000](#)