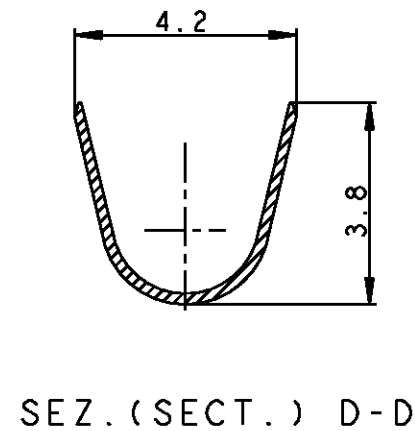
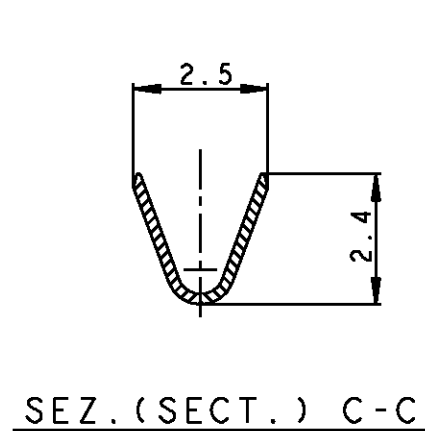
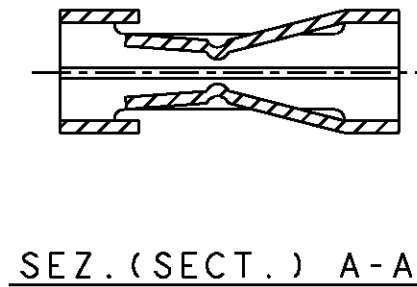
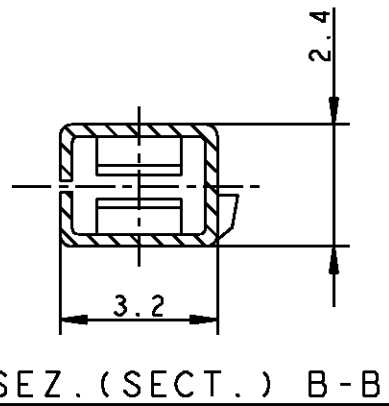
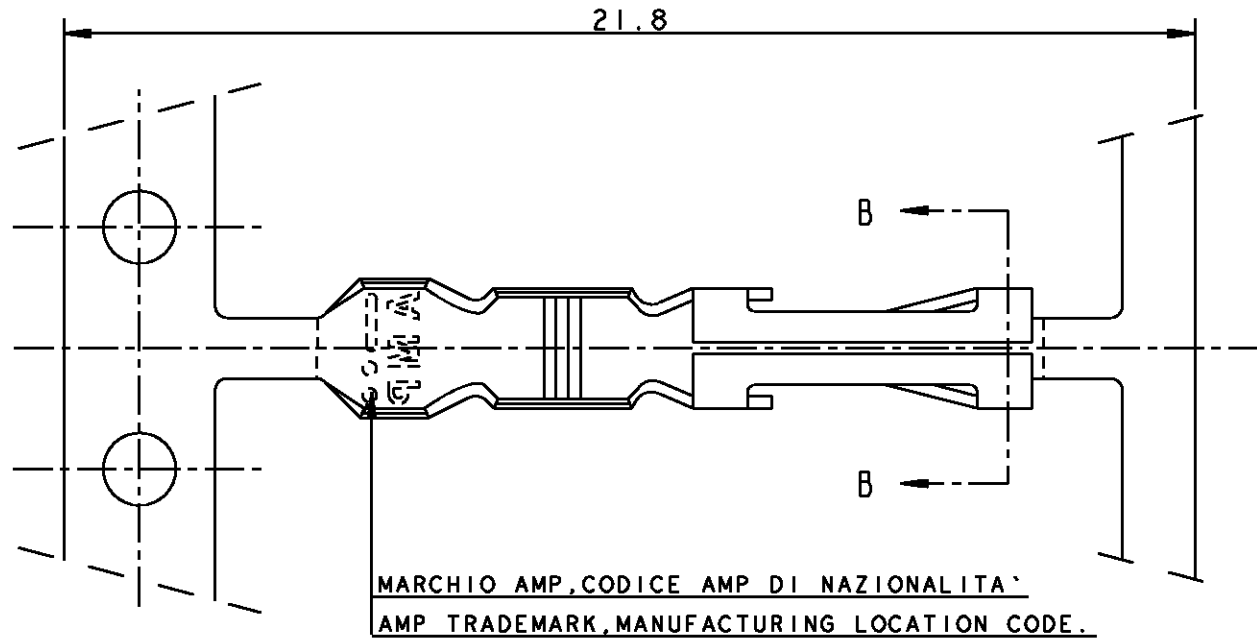
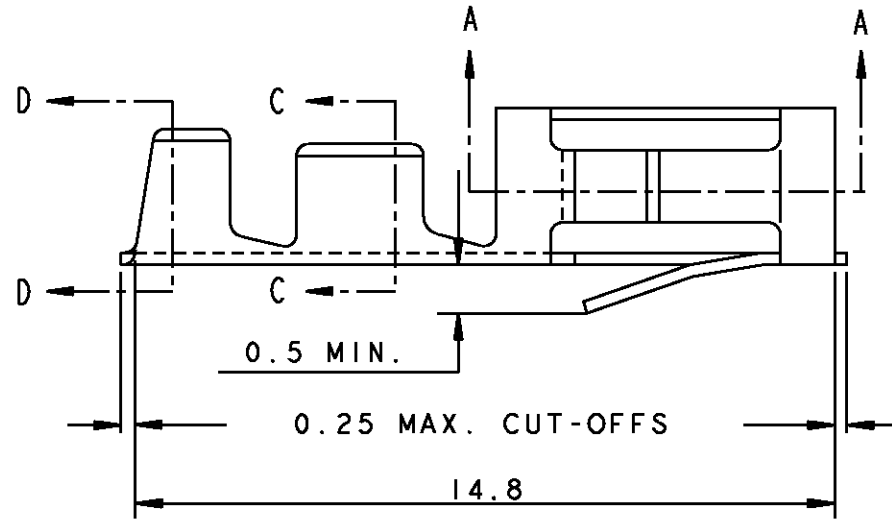


SCALA NON IMPEGNATIVA
(DO NOT SCALE)
DIMENSIONI IN mm
(DIMENSIONS IN IN)

METRIC

PROIEZIONE EUROPEA
(EUROPEAN PROJECTION)



NOTE (NOTES)

- MATERIALE (MATL.): BRONZO FOSFOROSO (PHOSPHOR BRONZE).
- FINITURA (FINISH): STAGNATO 0.8μm ECCETTO LE ZONE TRANCIATE. (TIN PLATED 0.8μm ALL OVER EXCEPT FOR CUTTING EDGES).
- PER MINI-APPLICATORE (FOR MINI-APPLICATOR) P/N 783291-2.

NOTE (NOTES) 1 & 2		-		281423-1	
MATERIALE E FINITURA: (MATL. & FINISH)		LOOSE-PIECE PART NUMBER: NOTA (NOTE) 4		STRIP PART NUMBER: NOTA (NOTE) 3	
CUSTOMER DRAWING FOR REFERENCE ONLY			DISEGNO PER CLIENTE SOLO PER RIFERIMENTO		
THIS DRAWING IS UNPUBLISHED			RELEASE FOR PUBLICATION 19		
© COPYRIGHT 19 BY AMP INCORPORATED, HARRISBURG, PA. ALL INTERNATIONAL RIGHT RESERVED. AMP PRODUCTS MAY BE COVERED BY U.S. AND FOREIGN PATENT AND/OR PATENT PENDING					
TOLLERANZE: SE NON DIVERSAMENTE SPECIFICATO (TOLERANCES: UNLESS OTHERWISE SPECIFIED)			DIAM. ISOLANTE (INS. DIA. RANGE) 2.2-2.8 MM		RANGO FILO (WIRE RANGE) 0.5-1.0 MM ² (20-17 AWG)
ANGOLI (ANGLES) ± 0.3 ± 2°			Tyco Electronics AMP ITALIA S.r.l. Corso F.lli Cervi, 15 COLLEGNO (TORINO)		
H REDRAWN - REACTIVATED C.C. 10 08			DIS. C. CORDOLA (DR.) 31 MAY 08		
D AGGIUNTI MARCHI (TRADEMARK ADDED) C.C. 7-91			DESCRIZIONE (DESCRIPTION) AMPMODU I REC. CONTACT, HIGH PRESSURE, C.O.S.I.		
C AGGIORNATO (REVISED) G.C. 1/90			CONT. (CHK) :		
B AGGIORNATO E RIDISEGNATO (REVISED & REDRAWN) G.C. 5/89			APP. (APP.) :		
REV. (REV.) REVISIONI (REVISION RECORD)			DIS. DATA (DR) (DATE)		
LOC. SIZE		NUMERO (DWG NO)		REV. FOGLIO (SHEET)	
1 A3		C - 281423		H 1 DI (OF) 1	

DISTRIBUZIONE
(PRINT DIST.)

X-ON Electronics

Largest Supplier of Electrical and Electronic Components

Click to view similar products for [Headers & Wire Housings](#) category:

Click to view products by [TE Connectivity](#) manufacturer:

Other Similar products are found below :

[892-18-020-10-001101](#) [58102-G61-06LF](#) [582553-1](#) [0009485154](#) [009176003701906](#) [0050291907](#) [LY20-4P-DT1-P1E-BR](#) [02.125.8002.8](#)
[609-3404](#) [61062-3](#) [61082-181009](#) [622-3653LF](#) [63453-116](#) [636-1030](#) [636-1427](#) [636-3427](#) [636-4007](#) [641938-9](#) [641991-4](#) [644827-2](#) [65817-](#)
[010LF](#) [65817-015LF](#) [65863-015LF](#) [66207-023LF](#) [67095-007LF](#) [67601157](#) [68645-018](#) [68648-049](#) [70.362.1628.0](#) [70-4210](#) [70-4226B](#) [70-](#)
[4853B](#) [707-5020](#) [707-5028](#) [71.350.2428.0](#) [71918-208LF](#) [71961-016LF](#) [733-134](#) [733-162](#) [754199-000](#) [760-3052](#) [79531-3000](#) [FCN-](#)
[360C032-B](#) [FCN-367T-T012/H](#) [FCN-723D010/2](#) [80.063.4001.1](#) [800-90-001-10-001000](#) [800-90-010-10-002000](#) [801-43-002-10-013000](#)
[801-43-006-10-002000](#)