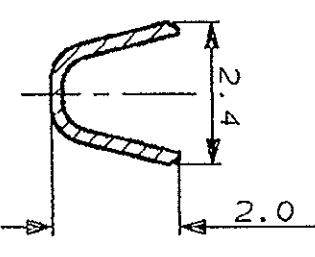
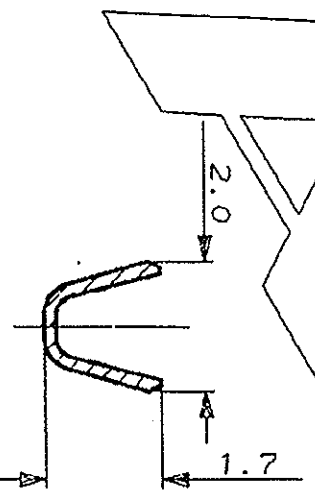
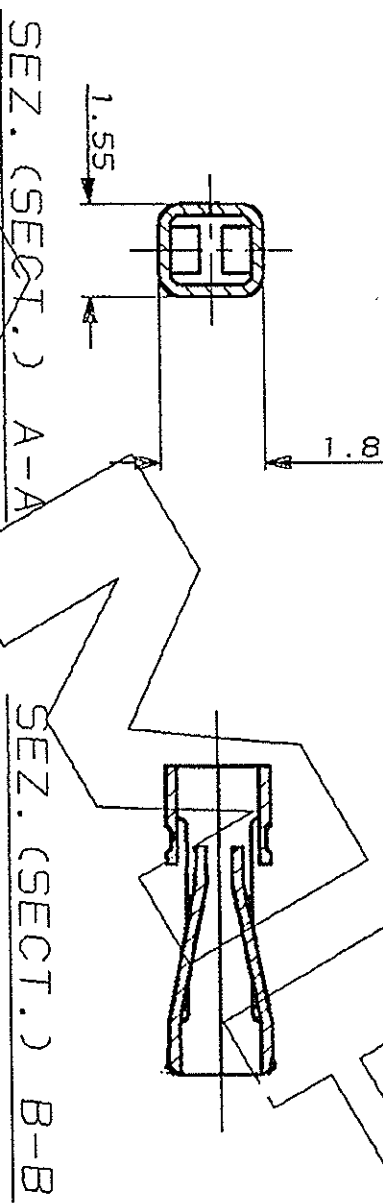
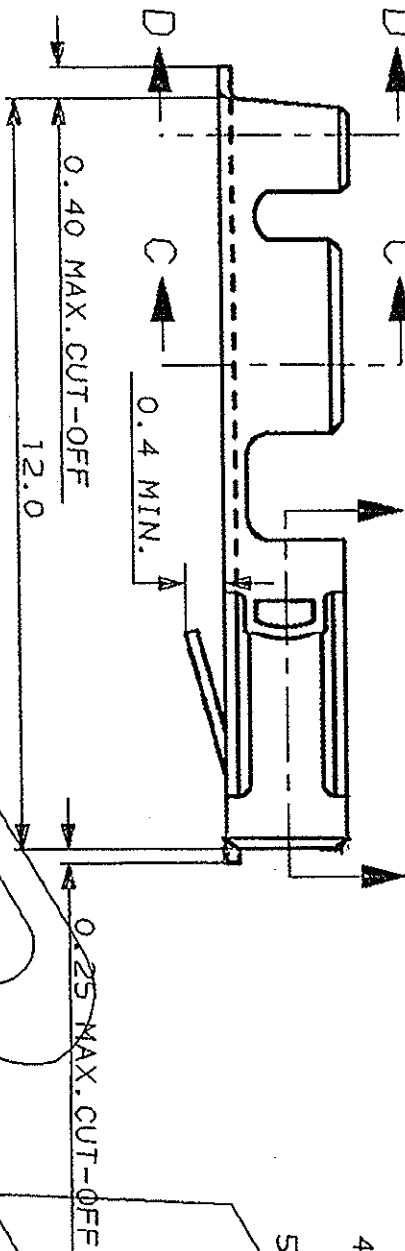
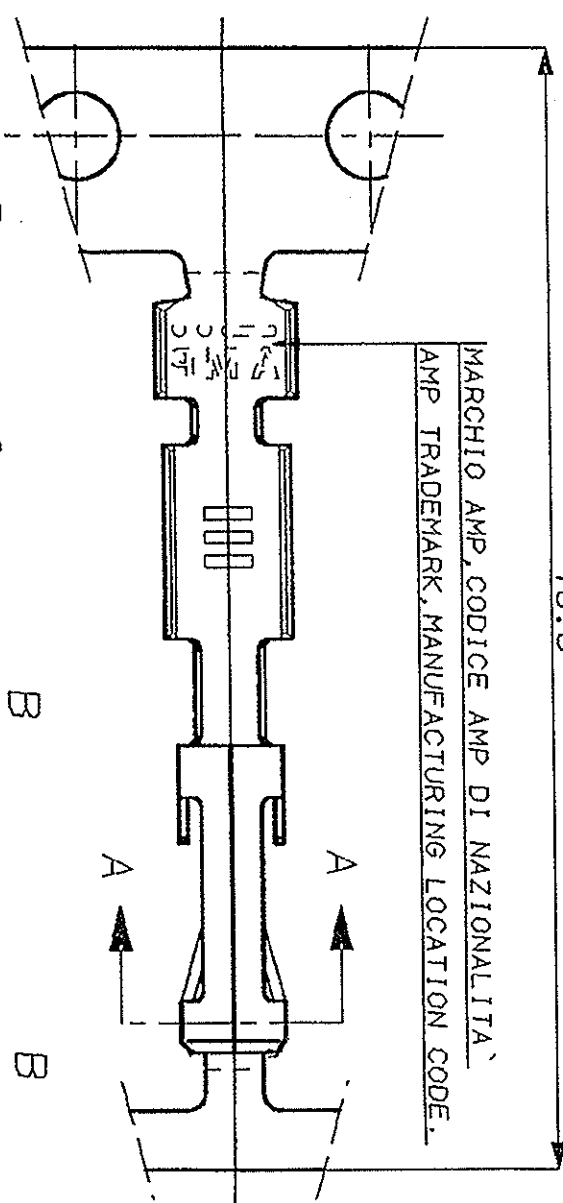


18.8

MARCHIO AMP, CODICE AMP DI NAZIONALITA' AMP TRADEMARK, MANUFACTURING LOCATION CODE.



NOTE (NOTES)

1. MATERIALE (MATL.): BRONZO FOSFOROSO (PHOSPHOR BRONZE).
2. FINITURA (FINISH): STAGNATO 0.8µM ECCEPTE LE ZONE TRANCIAATE. (TIN PLATED 0.8µM ALL OVER EXCEPT FOR BUTTING EDGES).
3. PER MINI-APPLICATORE (FOR MINI-APPLICATOR) P/N 783541-1 & -2.
4. PER UTENSILE A MANO (FOR HANDTOOL) P/N 783560-1.
5. LA PORTATA MASSIMA DI CORRENTE RISULTA ESSERE 3A, LIMITE DOVUTO ALLA MATING PART. (CURRENT CAPACITY IS 3A MAX. DUE TO MATING PART.)

S.P.N. OBSOLETE

SCALA NON IMPERATIVA (DO NOT SCALED) DIMENSIONI IN MM (DIMENSIONS IN MM)

METRIC

PROIEZIONE EUROPEA (EUROPEAN PROJECTION)

NOTE (NOTES)	1 & 2	6 182598-2	281556-2
MATERIALE E FINITURA: (MATL. & FINISH)	LOOSE-PIECE PART NUMBER:	STRIP PART NUMBER:	
	NOTA (NOTE) 4	NOTA (NOTE) 3	

CUSTOMER DRAWING FOR REFERENCE ONLY (DISEGNO PER CLIENTE SOLO PER RIFERIMENTO)

THIS DRAWING IS UNPUBLISHED (QUESTO DISEGNO NON E' PUBBLICATO)

© COPYRIGHT 1989 BY AMP INCORPORATED, HARRISBURG, PA. ALL INTERNATIONAL RIGHTS RESERVED. AMP PRODUCTS MAY BE COVERED BY U.S. AND FOREIGN PATENT AND/OR PATENT PENDING. (TUTTI I DIRITTI SONO RISERVATI. I PRODOTTI AMP SONO COPERTI DA BREVETTI STATUNITENSIS E/O DA BREVETTI IN ATTESA DI VERIFICA.)

TOLERANZE, SE NON DIVERSAMENTE SPECIFICATE (TOLERANCES, UNLESS OTHERWISE SPECIFIED):

± 0.3

± 2°

1.5 MM MAX.

AMP AMP ITALIA S.P.A. COLLENO (TORINO)

AMP MODU II REC. CONTACT, HIGH PRESSURE, C.O.S.I.

REV. 1	AGGIORNATO (REVISED)	6. C. 9/89 (CHK)	3 NOV. 89	LOC. SIZE NUMBER (LOC. NO.)	IAC-281556	REV. 1	FOGLIO (SHEET) 1
REV. 2	AGGIORNATO (REVISED)	6. C. 5/89 (CHK)					
REV. 3	AGGIORNATO (REVISED)	6. C. 1/90 (CHK)					
REV. 4	AGGIORNATO (REVISED)	6. C. 7-91 (CHK)					
REV. 5	AGGIORNATO (REVISED)	6. C. 5-92 (CHK)					
REV. 6	AGGIORNATO (REVISED)	6. C. 1/93 (CHK)					
REV. 7	AGGIORNATO (REVISED)	6. C. 1/93 (CHK)					
REV. 8	AGGIORNATO (REVISED)	6. C. 1/93 (CHK)					
REV. 9	AGGIORNATO (REVISED)	6. C. 1/93 (CHK)					
REV. 10	AGGIORNATO (REVISED)	6. C. 1/93 (CHK)					

DISTRIBUZIONE (PRINT DIST.)

AMP-114 3002 - 3/82

X-ON Electronics

Largest Supplier of Electrical and Electronic Components

Click to view similar products for [Headers & Wire Housings](#) category:

Click to view products by [TE Connectivity](#) manufacturer:

Other Similar products are found below :

[892-18-020-10-001101](#) [58102-G61-06LF](#) [582553-1](#) [0009485154](#) [009176003701906](#) [0050291907](#) [LY20-4P-DT1-P1E-BR](#) [02.125.8002.8](#)
[609-3404](#) [61062-3](#) [61082-181009](#) [622-3653LF](#) [63453-116](#) [636-1030](#) [636-1427](#) [636-3427](#) [636-4007](#) [641938-9](#) [641991-4](#) [644827-2](#) [65817-](#)
[010LF](#) [65817-015LF](#) [65863-015LF](#) [66207-023LF](#) [67095-007LF](#) [67601157](#) [68645-018](#) [68648-049](#) [70.362.1628.0](#) [70-4210](#) [70-4226B](#) [70-](#)
[4853B](#) [707-5020](#) [707-5028](#) [71.350.2428.0](#) [71918-208LF](#) [71961-016LF](#) [733-134](#) [733-162](#) [754199-000](#) [760-3052](#) [787-8014-00](#) [79531-3000](#)
[FCN-360C032-B](#) [FCN-367T-T012/H](#) [FCN-723D010/2](#) [80.063.4001.1](#) [800-90-001-10-001000](#) [800-90-010-10-002000](#) [801-43-002-10-013000](#)