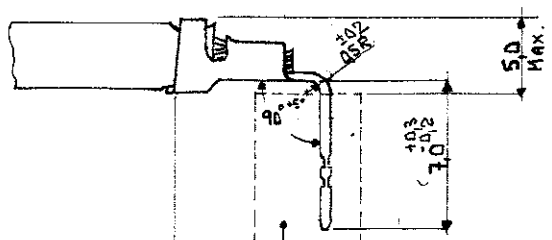
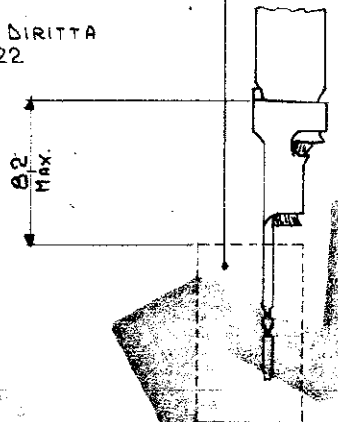


VERSIONE PIEGATA A 90°  
 RICAVATA PIEGANDO CON  
 APPLICATORE IL P.N. 281b22-2



CAVITA' SECONDA DISEGNO IA-84-5167

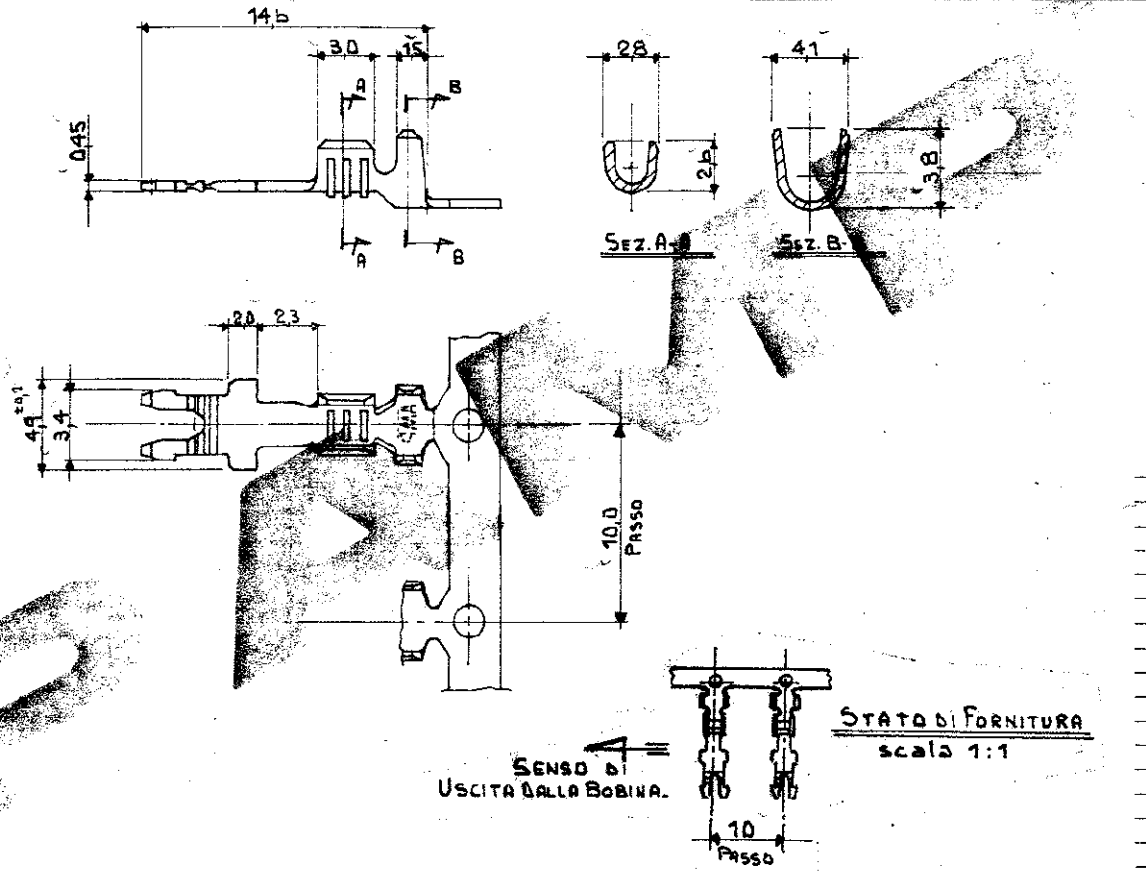
VERSIONE DIRITTA  
 P.N. 281b22



SCALA NON IMPEGNATIVA  
 (DC NOT SCALE)  
 DIMENSIONI IN mm  
 DIMENSIONS IN mm

**METRIC**

PROIEZIONE EUROPEA  
 (EUROPEAN PROJECTION)



STATO DI FORNITURA  
 scala 1:1

SENZA USCITA DALLA BOBINA.

STAGNATO	OTTONE	281b22-2
FINITURA / COLORE (FINISH / COLOUR)	MATERIALE (MATERIAL)	NUMERO (PART NUMBER)
<b>CUSTOMER DWG. DISEGNO PER CLIENTE</b> <b>FOR REFERENCE ONLY SOLO PER RIFERIMENTO</b>		
THIS DRAWING IS UNPUBLISHED - RELEASE FOR PUBLICATION 13		
© COPYRIGHT 1984 BY AMP RECORDING, HUNTSBURY, UK. ALL INTERNATIONAL RIGHTS RESERVED. AMP PRODUCTS MAY BE COVERED BY U.S. AND FOREIGN PATENT AND/OR PATENT PENDING.		
TOLLERANZE: SE NON DIVERSAMENTE SPECIFICATE (TOLERANCES UNLESS OTHERWISE SPECIFIED)	DIA. (DIAMETRO) (INS. DIA. RANGE)	RANGO FILE (WIRE RANGE)
± 0.4	3.0 mm Dia. Max.	0.3 ~ 1 mm <sup>2</sup>
ANGOLI (ANGLES): ± 2°	<b>AMP</b> AMP ITALIA S.p.A. Corso F.lli Cervi, 15 COLLEGNO (TORINO)	
DISEGNO (DRAWING)	DESCRIZIONE (DESCRIPTION)	
b-4-84	MAG MATE POKE-IN TAB 0.3 ~ 1 mm <sup>2</sup> (SPECIAL VERS.)	
A In Produzione	ES 4 FEB 82	CONT. (CHK) Vignati 6-4-84
1 REVISIONATO	DL 18-4-84	APP. (APP.)
REV. (REVISION RECORD)	DIE (DIE)	DATA (DATE)
LOC. (LOC.)	NUMERO (DWG NO.)	REV. (REV.)
IA	C-281b22	A
		FOGLIO (SHEET) 1/1

## X-ON Electronics

Largest Supplier of Electrical and Electronic Components

*Click to view similar products for [Terminals](#) category:*

*Click to view products by [TE Connectivity](#) manufacturer:*

Other Similar products are found below :

[00-054007-01074-6](#) [00-054007-70206-1](#) [00-054007-70210-8](#) [00-054007-70217-7](#) [00-054007-70226-9](#) [00-054007-70228-3](#) [00-054007-70248-1](#) [00-054007-70256-6](#) [00-054007-70301-3](#) [00-054007-70316-7](#) [00-054007-49560-4](#) [00-054007-70209-2](#) [00-054007-70225-2](#) [00-054007-70227-6](#) [00-054007-70231-3](#) [00-054007-70241-2](#) [00-054007-70242-9](#) [00-054007-70244-3](#) [00-054007-70246-7](#) [00-054007-70263-4](#) [00-054007-70288-7](#) [00-054007-70290-0](#) [00-054007-70300-6](#) [00-054007-70304-4](#) [01-2065-1-0216](#) [01-2900-1-04412](#) [00581P0075](#) [600TS-10](#) [60205-1](#) [604200-1](#) [605601-1](#) [60598-1-CUT-TAPE](#) [61314-6-C](#) [61810-3](#) [61-S](#) [61-SN](#) [626-0194](#) [62-NBM-A](#) [62-SN](#) [62-SP](#) [63-S](#) [640179-1](#) [M55155/059I03](#) [M55155/079C01](#) [M55155/099H02](#) [M55155/109H01](#) [M55155/109H02](#) [M55155/12XH05](#) [M55155/16XH02](#) [M55155/29-5S](#)