

1

2

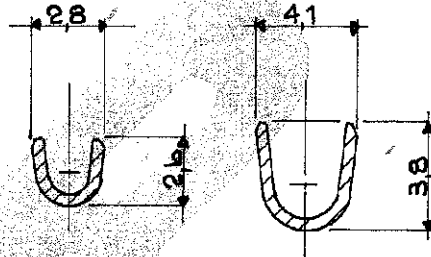
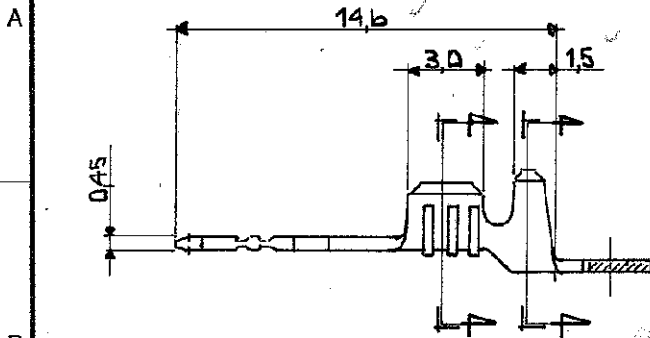
3

4

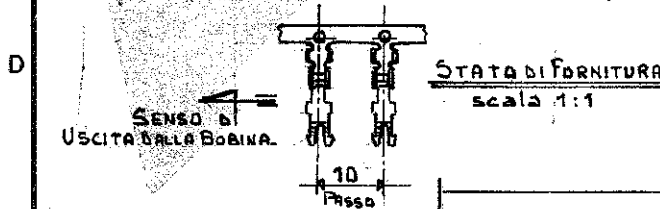
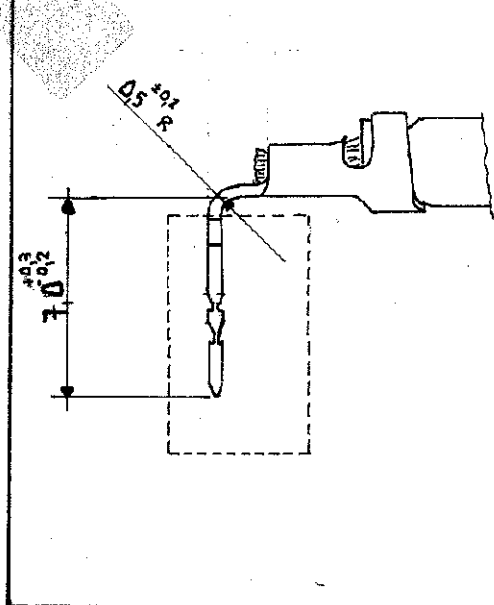
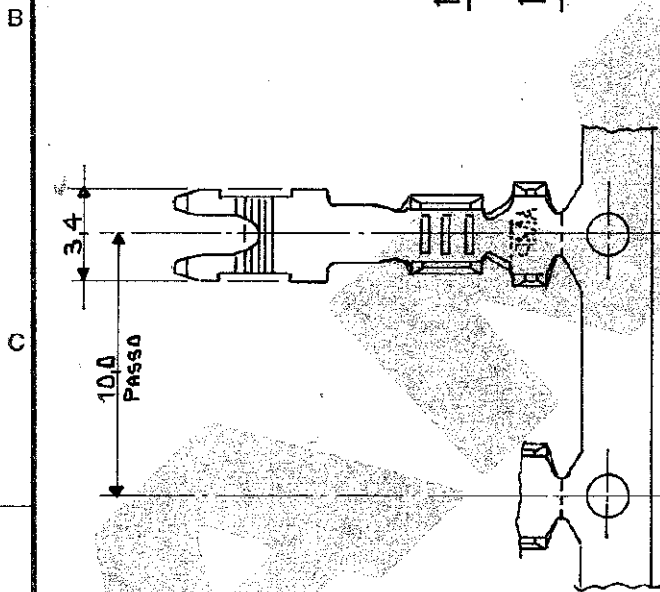
SCALA NON IMPEGNATIVA
(DO NOT SCALE)
DIMENSIONI IN mm
DIMENSIONS IN

METRIC

PROIEZIONE EUROPEA
(EUROPEAN PROJECTION)



VERSIONE PIEGATA A 90°
RICAVATA PIEGANDO CON
APPLICATORE IL P.N. 281623-2



STAGNATO	OTTONE	281623-2
FINITURA / COLORE (FINISH / COLOUR)	MATERIALE (MATERIAL)	NUMERO (PART NUMBER)

CUSTOMER DWG. FOR REFERENCE ONLY **DISEGNO PER CLIENTE SOLO PER RIFERIMENTO**

THIS DRAWING IS UNPUBLISHED		RELEASE FOR PUBLICATION 19	
© COPYRIGHT 19 BY AMP INCORPORATED, HARRISBURG, PA ALL INTERNATIONAL RIGHT RESERVED AMP PRODUCTS MAY BE COVERED BY U.S. AND FOREIGN PATENT AND/OR PATENT PENDING			
TOLLERANZE: SE NON DIVERSAMENTE SPECIFICATO (TOLERANCES UNLESS OTHERWISE SPECIFIED)	DIAM. ISOLANTE (INS. DIA. RANGE)	RANGO FILO (WIRE RANGE)	SCALA (SCALE)
± 0.4	3.0 mm DIA. Max	0.3 ~ 1.0 mm ²	#
ANGOLI (ANGLES) ± 2°	AMP AMP ITALIA S.p.A. Corso F.lli Cervi, 15 COLLEGNO (TORINO)		

DIS. (DR.) 20-4-84	DESCRIZIONE (DESCRIPTION) MAG MATE POKE-IN
CONT. (CHK) <i>Vignoli</i> 26-4-84	0.3 ~ 1.0 mm ² (STD. VERSION)

LOC. SIZE	NUMERO (DWG NO.)	REV.	FOGLIO (SHEET)
IA4	C-281623	A	1 DI 1 (OF)

DISTRIBUZIONE (PRINT DIST.)

REV. REV. LTR.	In Produzione	DIS. (DR.)	4-Feb 87
REV. LTR.	REVISIONI (REVISION RECORD)	DIS. (DR.)	DATA (DATE)

X-ON Electronics

Largest Supplier of Electrical and Electronic Components

Click to view similar products for [Terminals](#) category:

Click to view products by [TE Connectivity](#) manufacturer:

Other Similar products are found below :

[00-054007-01074-6](#) [00-054007-70206-1](#) [00-054007-70210-8](#) [00-054007-70217-7](#) [00-054007-70226-9](#) [00-054007-70228-3](#) [00-054007-70248-1](#) [00-054007-70256-6](#) [00-054007-70301-3](#) [00-054007-70316-7](#) [00-054007-49560-4](#) [00-054007-70209-2](#) [00-054007-70225-2](#) [00-054007-70227-6](#) [00-054007-70231-3](#) [00-054007-70241-2](#) [00-054007-70242-9](#) [00-054007-70244-3](#) [00-054007-70246-7](#) [00-054007-70263-4](#) [00-054007-70288-7](#) [00-054007-70290-0](#) [00-054007-70300-6](#) [00-054007-70304-4](#) [01-2065-1-0216](#) [01-2900-1-04412](#) [00581P0075](#) [600TS-10](#) [60205-1](#) [604200-1](#) [605601-1](#) [60598-1-CUT-TAPE](#) [61314-6-C](#) [61810-3](#) [61-S](#) [61-SN](#) [626-0194](#) [62-NBM-A](#) [62-SN](#) [62-SP](#) [63-S](#) [640179-1](#) [M55155/059I03](#) [M55155/079C01](#) [M55155/099H02](#) [M55155/109H01](#) [M55155/109H02](#) [M55155/12XH05](#) [M55155/16XH02](#) [M55155/29-5S](#)