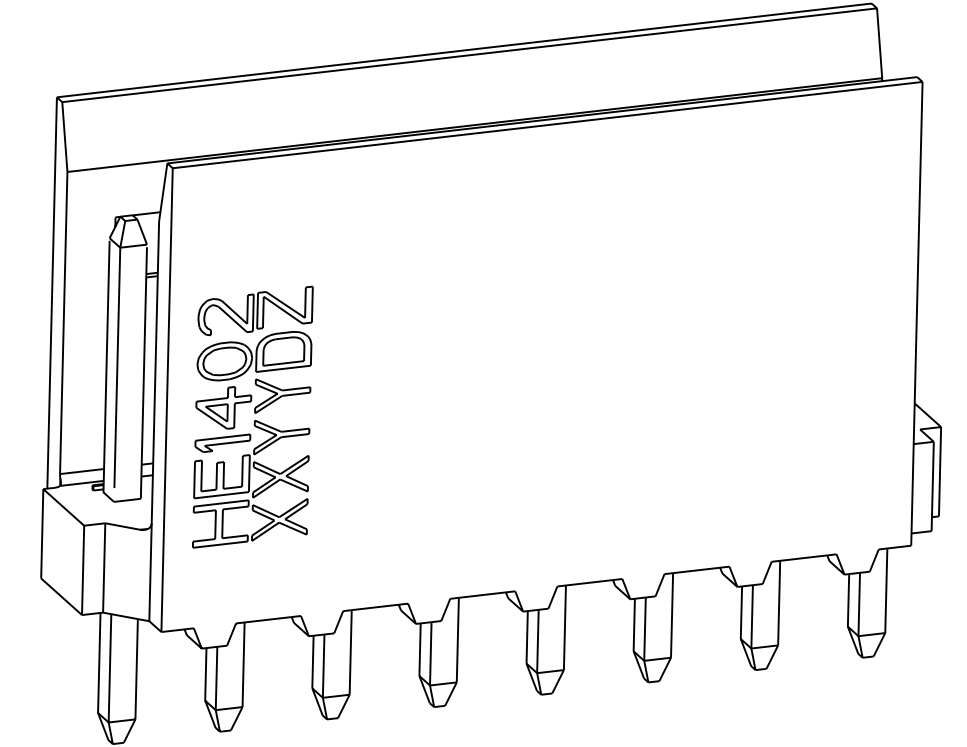
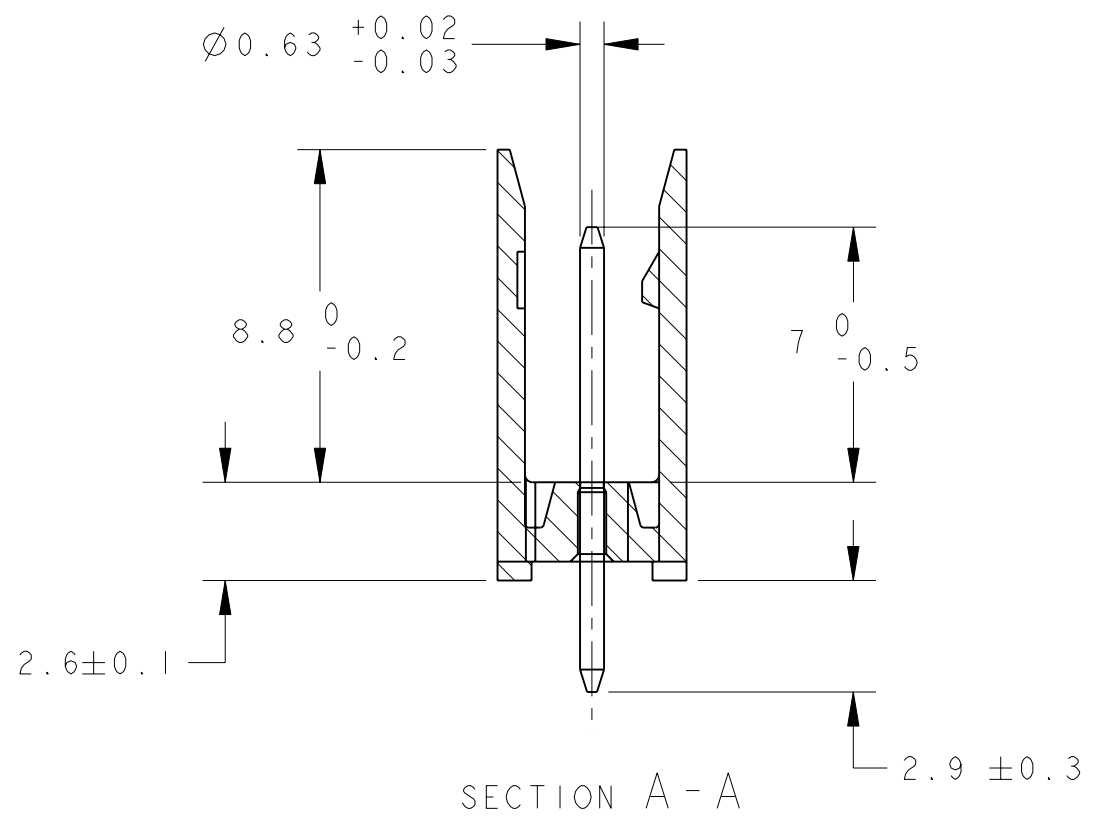
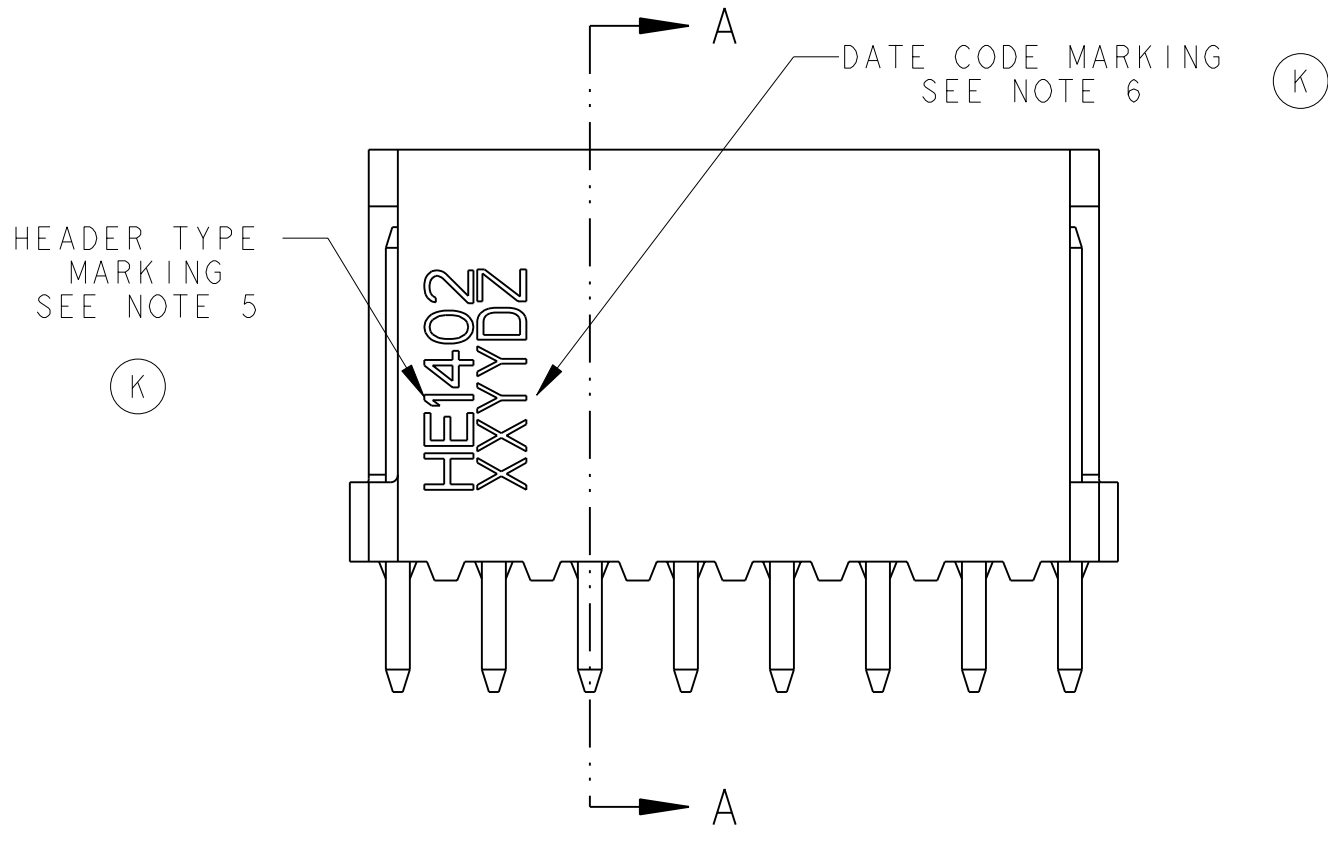
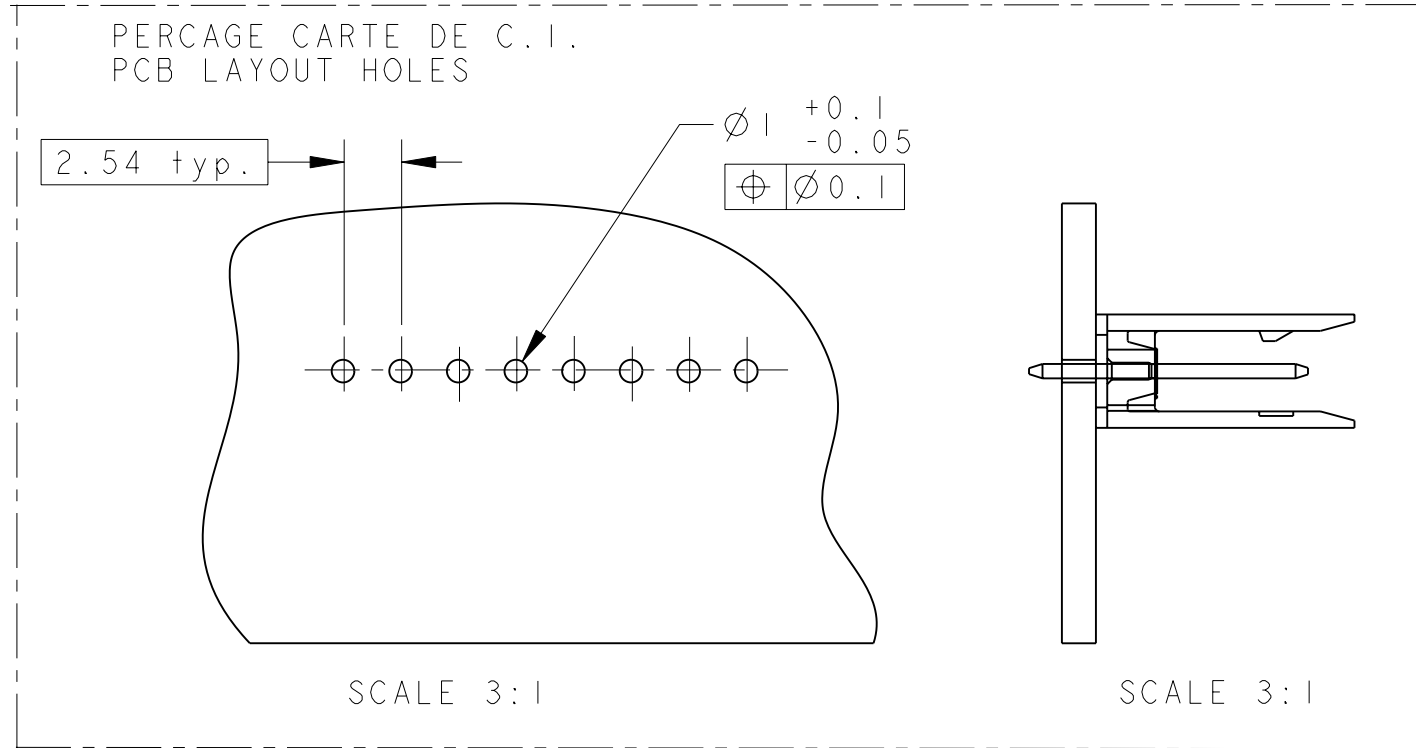
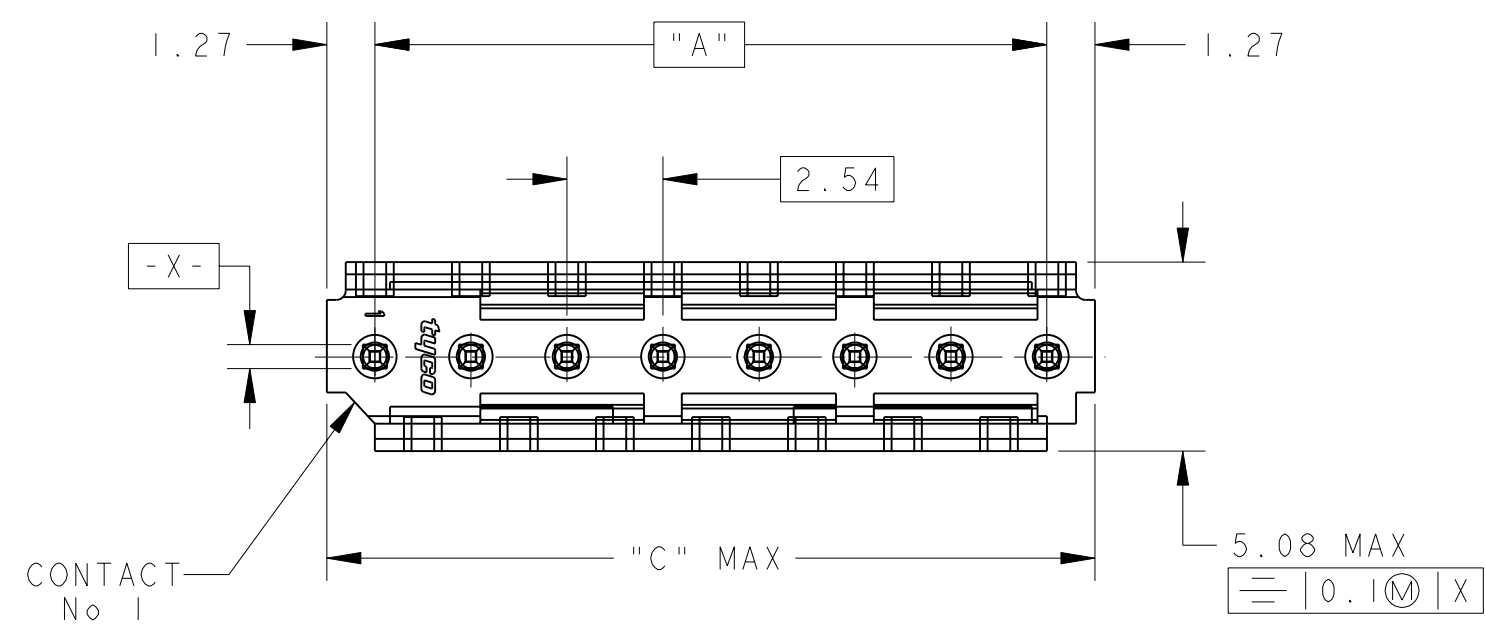


THIS DRAWING IS UNPUBLISHED.
 DIFFUSION RESTREINTE
 © COPYRIGHT 20 BY -
 RELEASED FOR PUBLICATION
 LIBRE A LA DIFFUSION
 20
 ALL RIGHTS RESERVED.
 TOUS DROITS RESERVES

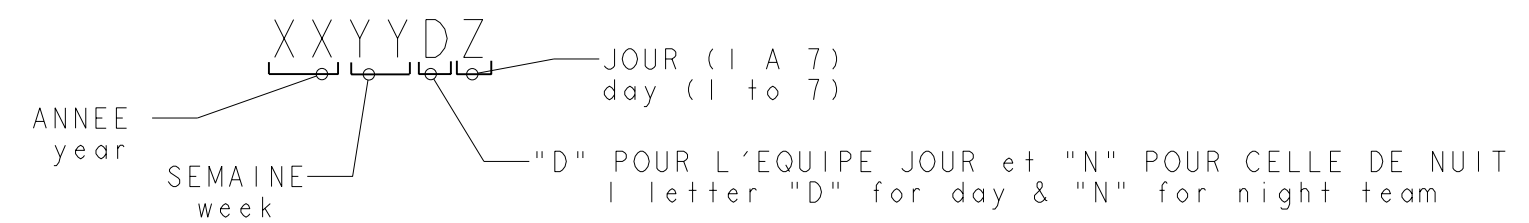
| LOC | DIST | REVISIONS | | | |
|-----|------|------------------------------|-----------|-----------|-----------|
| P | LTR | DESCRIPTION MODIFICATIONS | DATE | DWN DESS. | APVD APP. |
| F | 7 | K1 REVISED PER ECO-11-005150 | 28MAR2011 | RK | HMR |



SCALE 6:1



- NOTES:
- CES EMBASES SONT PREVUES POUR ETRE ACCOUPLEES AVEC LES FICHES "HE1402" SIMPLE RANGEE.
(These headers are designed to be mated with "HE1402" connectors single row)
 - LES REFERENCES SUIVIES D'UN * SONT LES VERSIONS NORMALISEES SELON LA NORME CEI 603-8
(The parts numbers followed by * are covered by the international standard IEC 603-8)
 - RETEVEMENT DES CONTACTS: ETAIN PUR SUR NICKEL
(Contacts plating: lead free tin over nickel)
 - MATIERE PLASTIQUE: TERMO-PLASTIQUE HAUTE TEMPERATURE, UL-94V0, COULEUR BLEUE
(Plastic material: High temperature thermoplastic, UL-94V0, Blue color)
MATIERE DES CONTACTS: BRONZE PHOSPHOREUX
(Contacts material: phosphor bronze)
 - MARQUAGE DU TYPE D'EMBASE (HE1402) A L'ENCRE NOIRE
(header type marking (HE1402) with black ink)
 - MARQUAGE DE LA DATE A L'ENCRE NOIRE :
(date code marking with black ink)



| | | | |
|------------|-------|-----------|--------------|
| 45.72 | 43.18 | 18 | 1-281695-8 * |
| 43.18 | 40.64 | 17 | 1-281695-7 |
| 38.10 | 35.56 | 15 | 1-281695-5 * |
| 30.48 | 27.94 | 12 | 1-281695-2 * |
| 25.40 | 22.86 | 10 | 1-281695-0 * |
| 20.32 | 17.78 | 8 | 0-281695-8 * |
| 17.78 | 15.24 | 7 | 0-281695-7 |
| 15.24 | 12.70 | 6 | 0-281695-6 * |
| 12.70 | 10.16 | 5 | 0-281695-5 * |
| 10.16 | 7.62 | 4 | 0-281695-4 * |
| 7.62 | 5.08 | 3 | 0-281695-3 * |
| 5.08 | 2.54 | 2 | 0-281695-2 |
| C | A | Nb DE POS | PART NUMBER |
| DIMENSIONS | | | |

THIS DRAWING IS A CONTROLLED DOCUMENT.

DWN/DESSINE: 22NOV2000
 C. COMBEDOUZON
 CHK/VERIFIE: 22NOV2000
 T. CORRIOL
 APVD/APROUVE: 22NOV2000
 Y. PETRONIN

TE Connectivity

NAME/TITRE: HEADERS HE14, SINGLE ROW, STRAIGHT

PRODUCT SPEC: 108-15053

APPLICATION SPEC: -

WEIGHT/MASSE APPROX: -

CUSTOMER DRAWING /PLAN CLIENT

UNIQUEMENT POUR REFERENCE

SCALE/ECHELLE: 5:1

SHEET FEUILLE: 1 OF DE: 1

REV: K1

X-ON Electronics

Largest Supplier of Electrical and Electronic Components

Click to view similar products for [Headers & Wire Housings](#) category:

Click to view products by [TE Connectivity](#) manufacturer:

Other Similar products are found below :

[892-18-020-10-001101](#) [58102-G61-06LF](#) [582553-1](#) [0009485154](#) [009176003701906](#) [0050291907](#) [LY20-4P-DT1-P1E-BR](#) [02.125.8002.8](#)
[609-3404](#) [61062-3](#) [61082-181009](#) [622-3653LF](#) [63453-116](#) [636-1030](#) [636-1427](#) [636-3427](#) [636-4007](#) [641938-9](#) [641991-4](#) [644827-2](#) [65817-010LF](#) [65817-015LF](#) [65863-015LF](#) [66207-023LF](#) [67095-007LF](#) [67601157](#) [68645-018](#) [68648-049](#) [70.362.1628.0](#) [70-4210](#) [70-4226B](#) [70-4853B](#) [707-5020](#) [707-5028](#) [71.350.2428.0](#) [71918-208LF](#) [71961-016LF](#) [733-134](#) [733-162](#) [754199-000](#) [760-3052](#) [787-8014-00](#) [79531-3000](#)
[FCN-360C032-B](#) [FCN-367T-T012/H](#) [FCN-723D010/2](#) [80.063.4001.1](#) [800-90-001-10-001000](#) [800-90-010-10-002000](#) [801-43-002-10-013000](#)