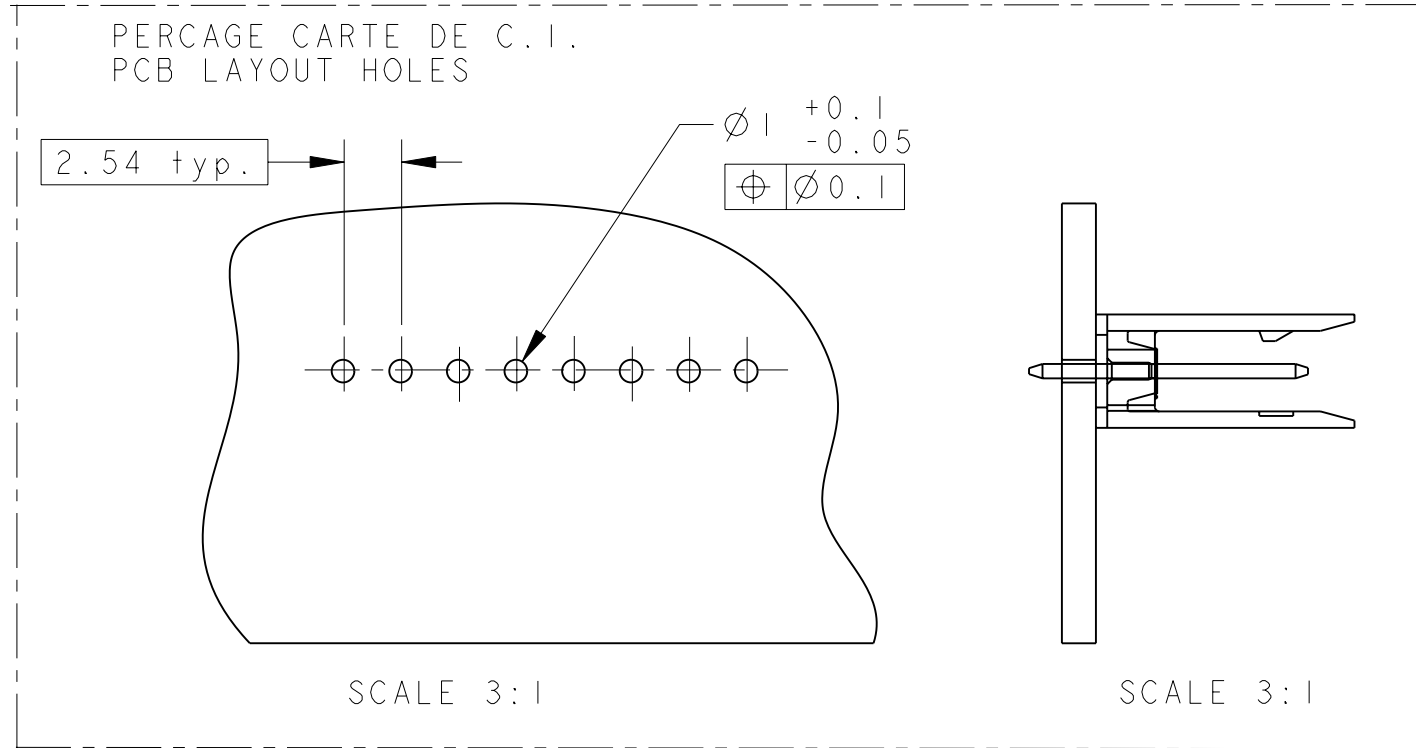
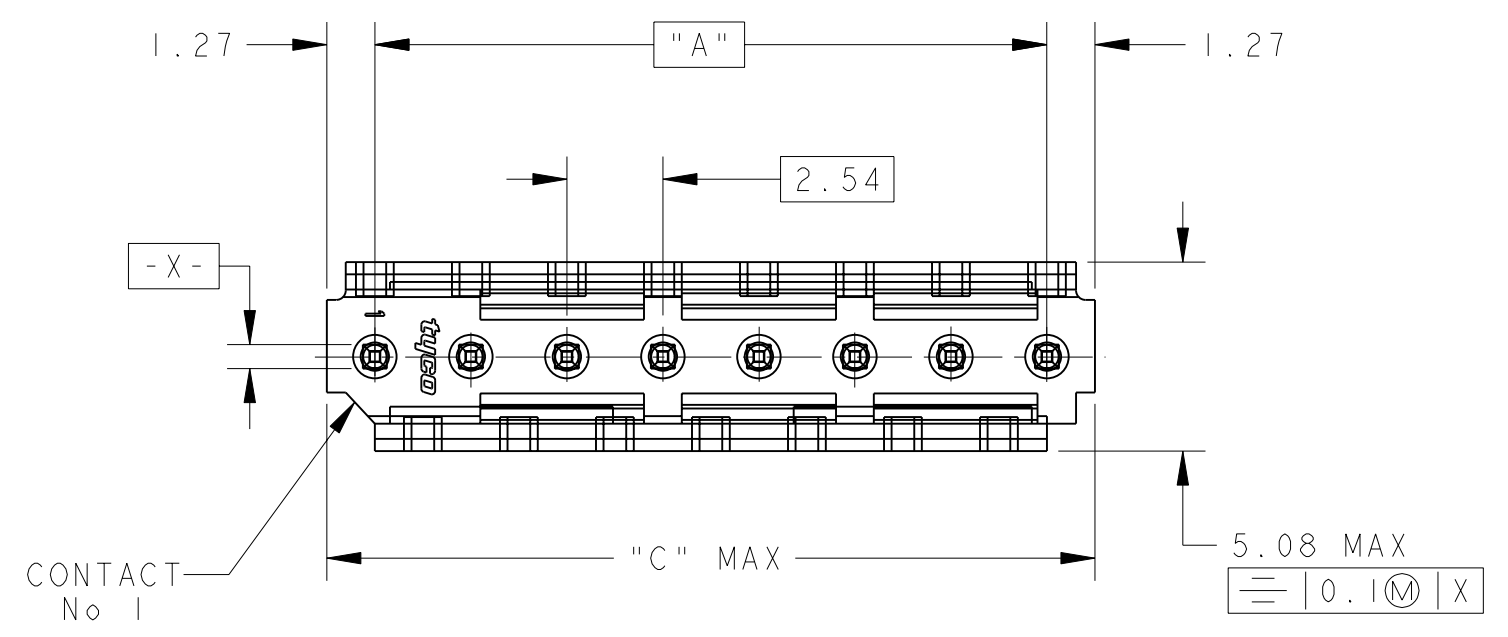
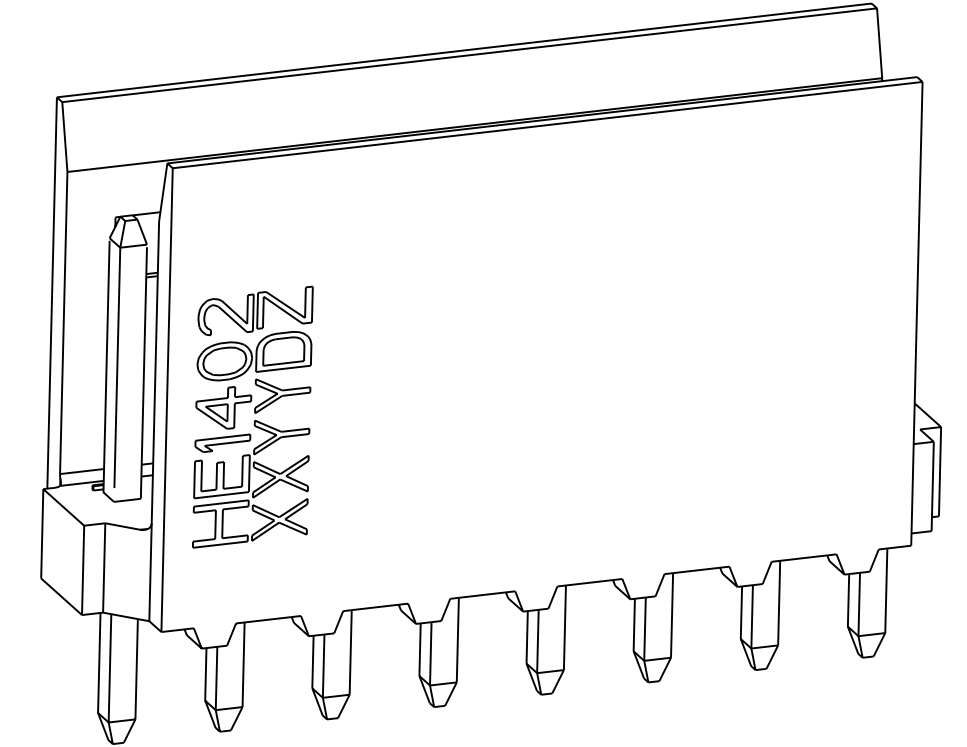
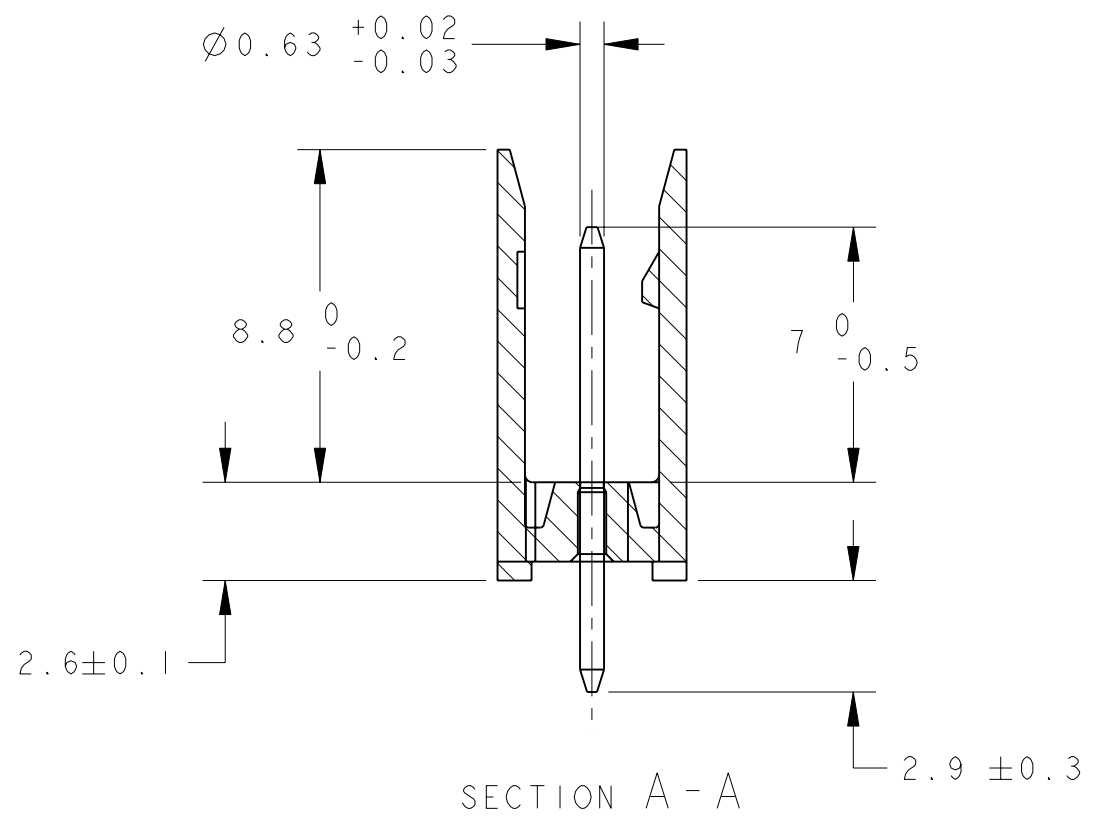
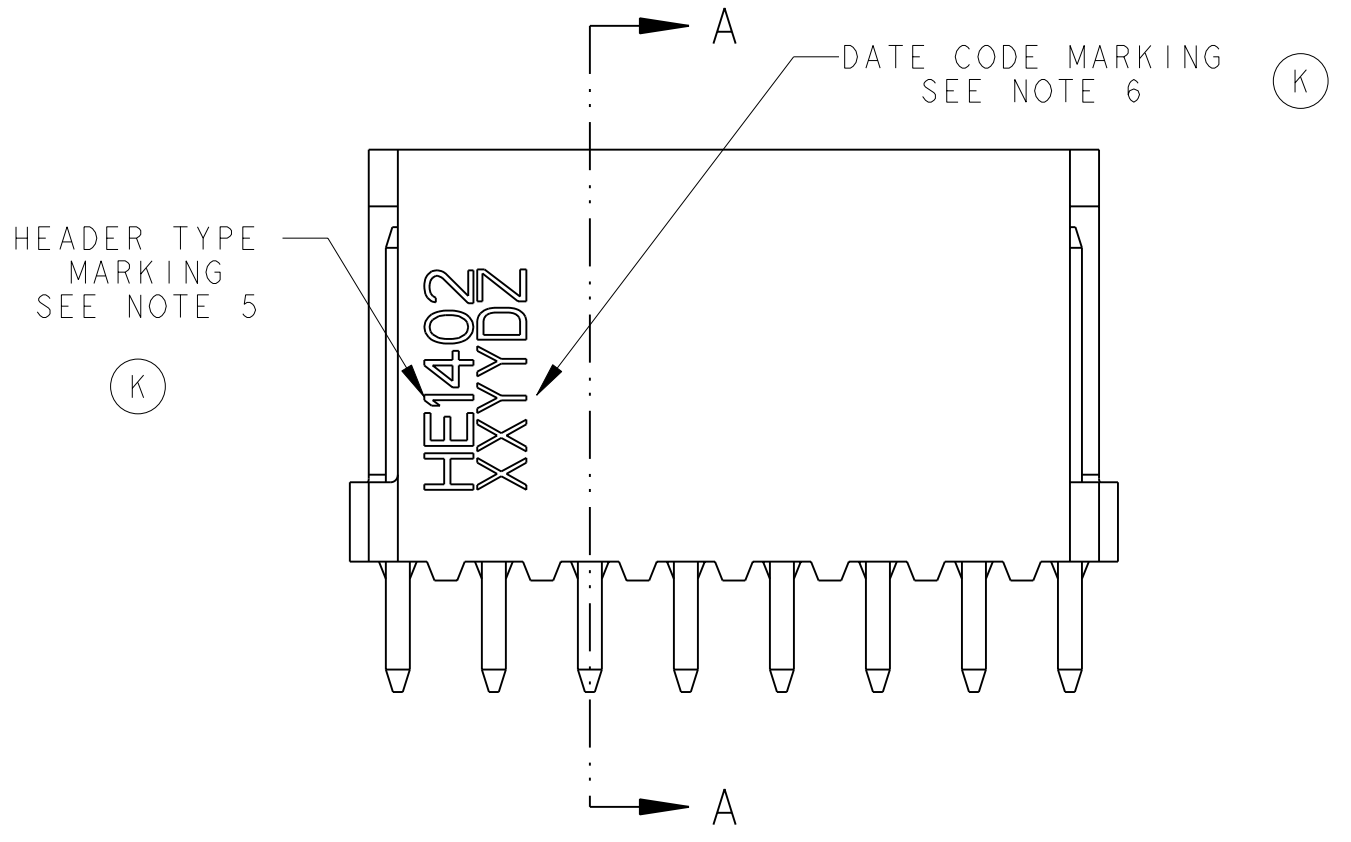


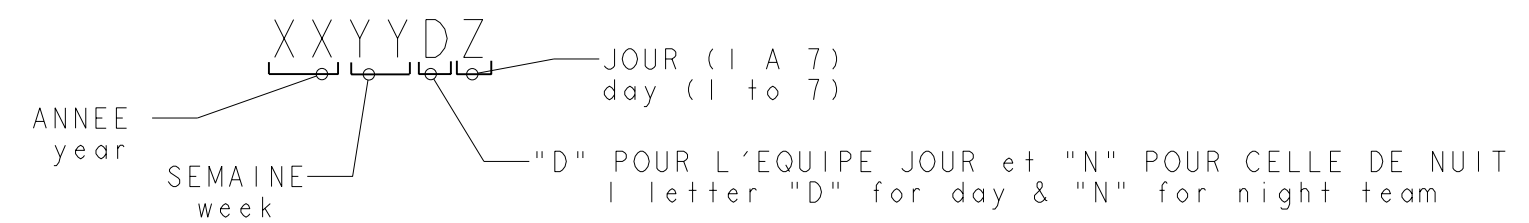
THIS DRAWING IS UNPUBLISHED.  
 DIFFUSION RESTREINTE  
 © COPYRIGHT 20 BY -  
 RELEASED FOR PUBLICATION  
 LIBRE A LA DIFFUSION  
 20  
 ALL RIGHTS RESERVED.  
 TOUS DROITS RESERVES

| LOC | DIST | REVISIONS                    |                           |              |              |
|-----|------|------------------------------|---------------------------|--------------|--------------|
| P   | LTR  | DESCRIPTION<br>MODIFICATIONS | DATE                      | DWN<br>DESS. | APVD<br>APP. |
| F   | 7    | K1                           | REVISED PER ECO-11-005150 | 28MAR2011    | RK<br>HMR    |



|            |       |           |              |
|------------|-------|-----------|--------------|
| 45.72      | 43.18 | 18        | 1-281695-8 * |
| 43.18      | 40.64 | 17        | 1-281695-7   |
| 38.10      | 35.56 | 15        | 1-281695-5 * |
| 30.48      | 27.94 | 12        | 1-281695-2 * |
| 25.40      | 22.86 | 10        | 1-281695-0 * |
| 20.32      | 17.78 | 8         | 0-281695-8 * |
| 17.78      | 15.24 | 7         | 0-281695-7   |
| 15.24      | 12.70 | 6         | 0-281695-6 * |
| 12.70      | 10.16 | 5         | 0-281695-5 * |
| 10.16      | 7.62  | 4         | 0-281695-4 * |
| 7.62       | 5.08  | 3         | 0-281695-3 * |
| 5.08       | 2.54  | 2         | 0-281695-2   |
| C          | A     | Nb DE POS | PART NUMBER  |
| DIMENSIONS |       |           |              |

- NOTES:
- CES EMBASES SONT PREVUES POUR ETRE ACCOUPLEES AVEC LES FICHES "HE1402" SIMPLE RANGEE.  
(These headers are designed to be mated with "HE1402" connectors single row)
  - LES REFERENCES SUIVIES D'UN \* SONT LES VERSIONS NORMALISEES SELON LA NORME CEI 603-8  
(The parts numbers followed by \* are covered by the international standard IEC 603-8)
  - RETEVEMENT DES CONTACTS: ETAIN PUR SUR NICKEL  
(Contacts plating: lead free tin over nickel)
  - MATIERE PLASTIQUE: TERMO-PLASTIQUE HAUTE TEMPERATURE, UL-94V0, COULEUR BLEUE  
(Plastic material: High temperature thermoplastic, UL-94V0, Blue color)  
MATIERE DES CONTACTS: BRONZE PHOSPHOREUX  
(Contacts material: phosphor bronze)
  - MARQUAGE DU TYPE D'EMBASE (HE1402) A L'ENCRE NOIRE  
(header type marking (HE1402) with black ink)
  - MARQUAGE DE LA DATE A L'ENCRE NOIRE :  
(date code marking with black ink)



THIS DRAWING IS A CONTROLLED DOCUMENT.

DWN/DESSINE 22NOV2000  
C. COMBEDOUZON  
CHK/VERIFIE 22NOV2000  
T. CORRIOL  
APVD/APROUVE 22NOV2000  
Y. PETRONIN

TE Connectivity

NAME TITRE HEADERS HE14,  
SINGLE ROW, STRAIGHT

PRODUCT SPEC 108-15053

APPLICATION SPEC

SIZE FORMAT A2

CAGE CODE 0779

DRAWING NO No PLAN C-281695

RESTRICTED TO RESERVE A

MATERIAL/MATIERE SEE/VOIR NOTE 4

FINISH/FINITION SEE/VOIR NOTE 3

WEIGHT MASSE APPROX. -

CUSTOMER DRAWING /PLAN CLIENT

UNIQUEMENT POUR REFERENCE

SCALE ECHELLE 5:1

SHEET FEUILLE 1

OF DE 1

REV. K1

## X-ON Electronics

Largest Supplier of Electrical and Electronic Components

*Click to view similar products for [Headers & Wire Housings](#) category:*

*Click to view products by [TE Connectivity](#) manufacturer:*

Other Similar products are found below :

[892-18-020-10-001101](#) [58102-G61-06LF](#) [582553-1](#) [0009485154](#) [009176003701906](#) [0050291907](#) [LY20-4P-DT1-P1E-BR](#) [02.125.8002.8](#)  
[609-3404](#) [61062-3](#) [61082-181009](#) [622-3653LF](#) [63453-116](#) [636-1030](#) [636-1427](#) [636-3427](#) [636-4007](#) [641938-9](#) [641991-4](#) [644827-2](#) [65817-](#)  
[010LF](#) [65817-015LF](#) [65863-015LF](#) [66207-023LF](#) [67095-007LF](#) [67601157](#) [68645-018](#) [68648-049](#) [70.362.1628.0](#) [70-4210](#) [70-4226B](#) [70-](#)  
[4853B](#) [707-5020](#) [707-5028](#) [71.350.2428.0](#) [71918-208LF](#) [71961-016LF](#) [733-134](#) [733-162](#) [754199-000](#) [760-3052](#) [79531-3000](#) [FCN-](#)  
[360C032-B](#) [FCN-367T-T012/H](#) [FCN-723D010/2](#) [80.063.4001.1](#) [800-90-010-10-002000](#) [801-43-002-10-013000](#) [801-43-006-10-002000](#)  
[801-93-011-10-001000](#)