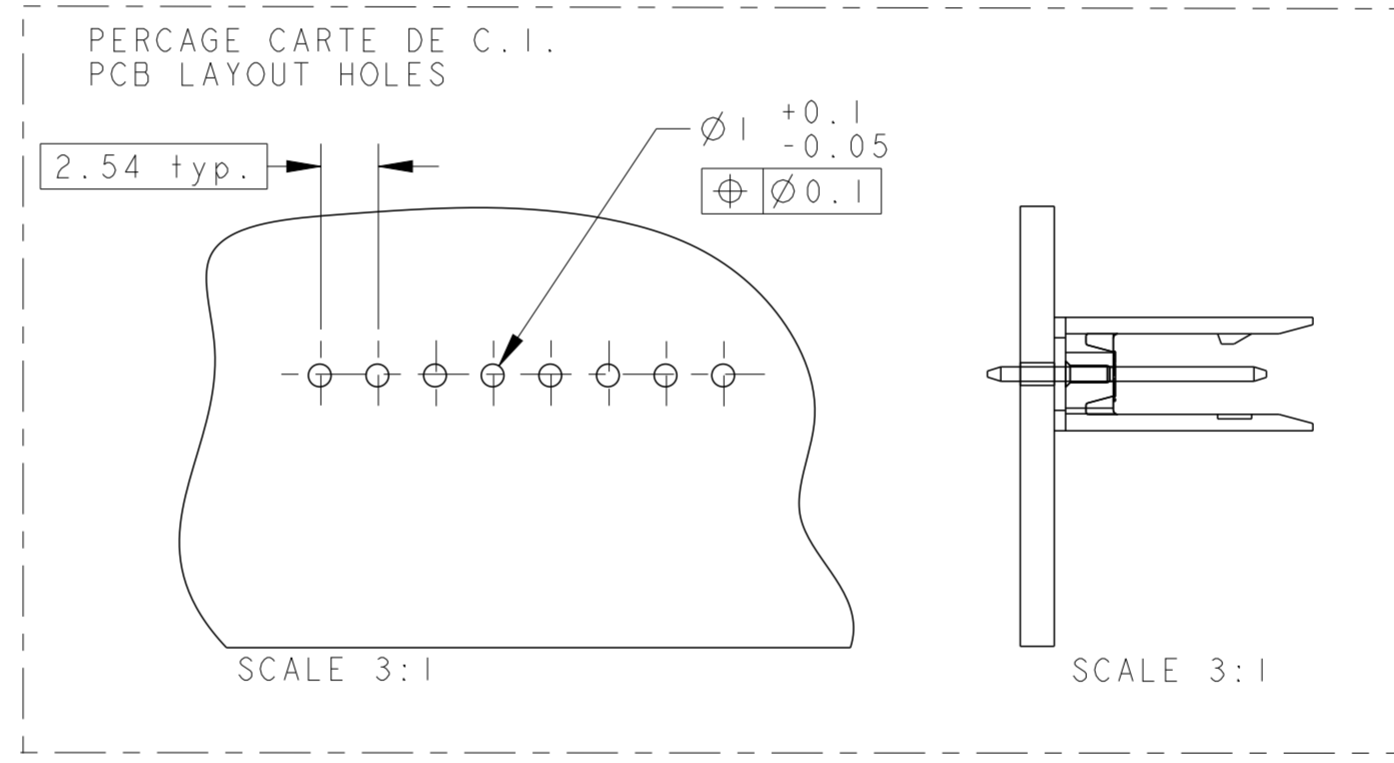
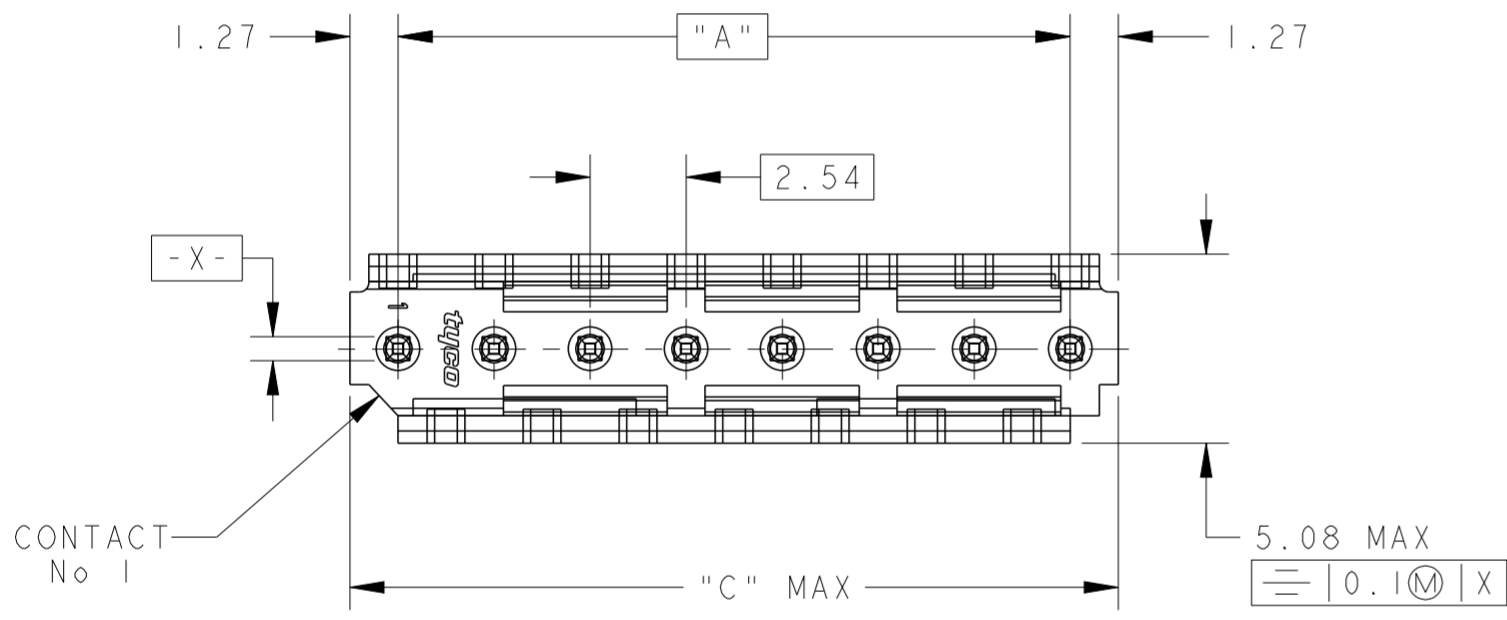
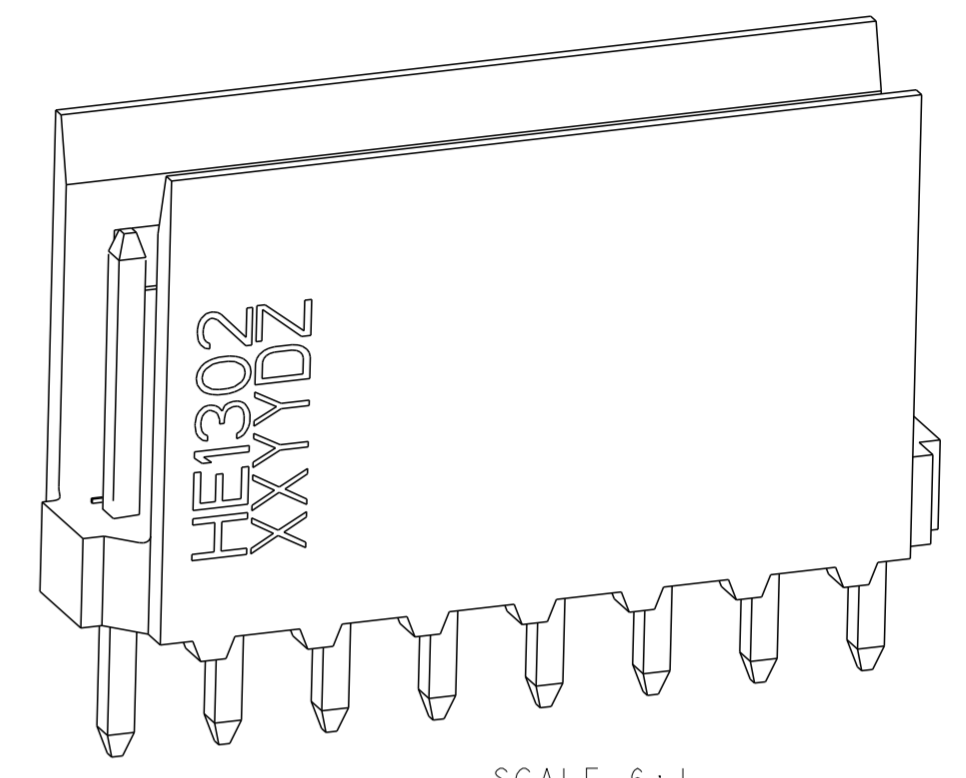
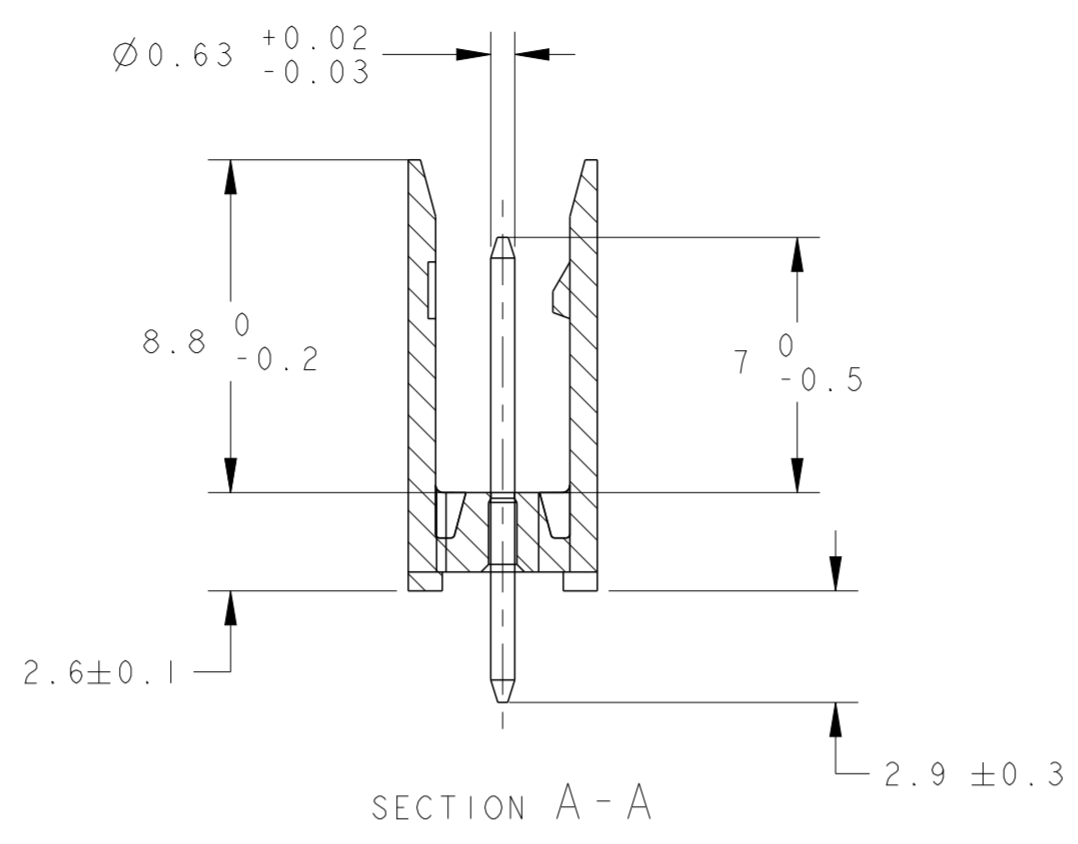
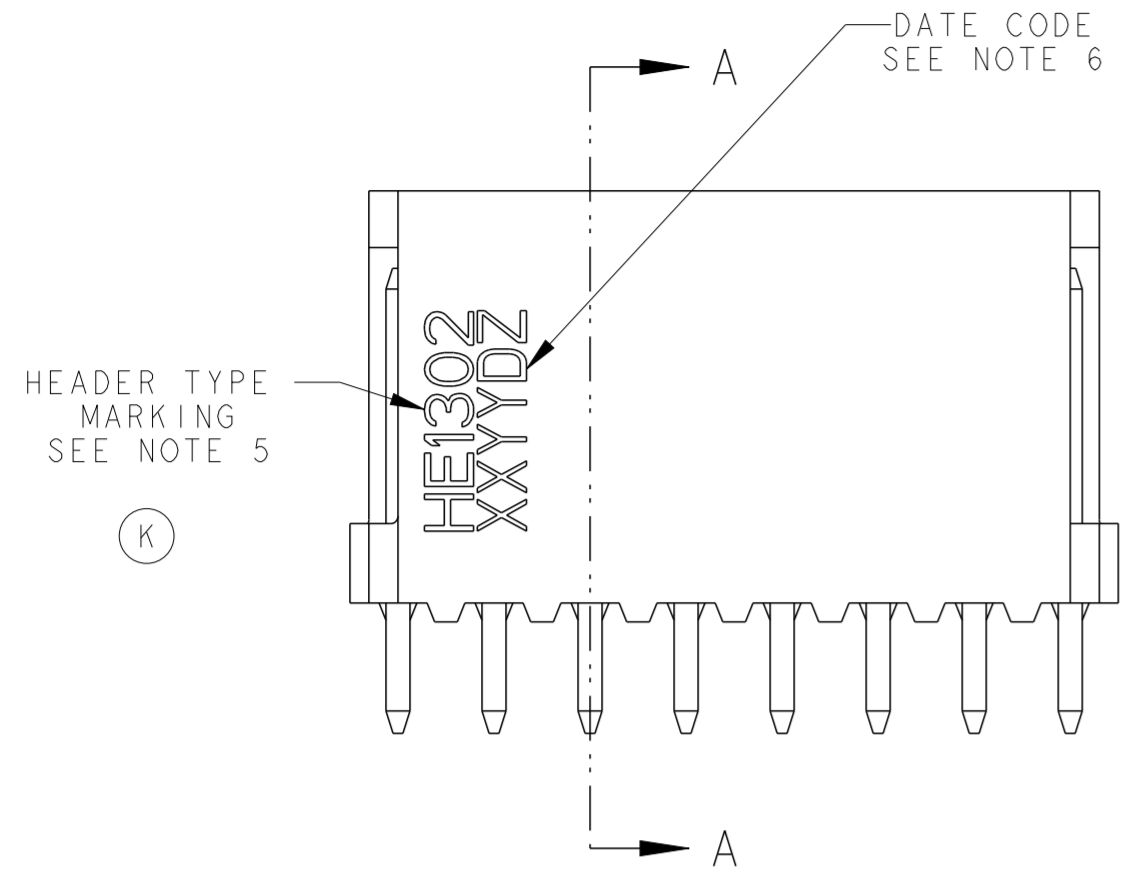


THIS DRAWING IS UNPUBLISHED. / DIFFUSION RESTREINTE  
 RELEASED FOR PUBLICATION / LIBRE A LA DIFFUSION  
 ALL RIGHTS RESERVED. / TOUS DROITS RESERVES

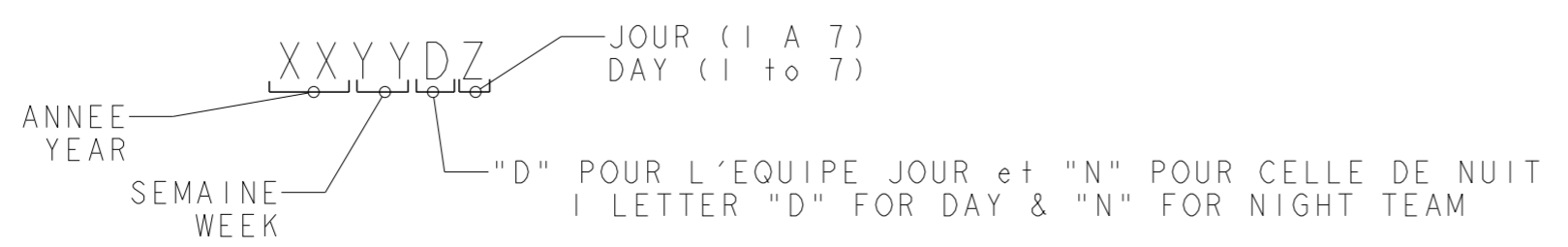
| REVISIONS |     |                           |           |            |            |
|-----------|-----|---------------------------|-----------|------------|------------|
| P         | LTR | DESCRIPTION MODIFICATIONS | DATE      | DWN. DESS. | APVD. APP. |
|           | K2  | PLATING NOTE CORRECTED    | 02AUG2016 | KJK        | PS         |



|            | 45.72 | 43.18     | 18          | 1-281696-8 * |
|------------|-------|-----------|-------------|--------------|
| 7 OBSOLETE | 43.18 | 40.64     | 17          | 1-281696-7   |
|            | 38.10 | 35.56     | 15          | 1-281696-5 * |
|            | 30.48 | 27.94     | 12          | 1-281696-2 * |
|            | 25.40 | 22.86     | 10          | 1-281696-0 * |
|            | 20.32 | 17.78     | 8           | 0-281696-8 * |
|            | 17.78 | 15.24     | 7           | 0-281696-7   |
|            | 15.24 | 12.70     | 6           | 0-281696-6 * |
|            | 12.70 | 10.16     | 5           | 0-281696-5 * |
|            | 10.16 | 7.62      | 4           | 0-281696-4 * |
|            | 7.62  | 5.08      | 3           | 0-281696-3 * |
|            | 5.08  | 2.54      | 2           | 0-281696-2   |
| C          | A     | Nb DE POS | PART NUMBER |              |
| DIMENSIONS |       |           |             |              |

- NOTES:
- THESE HEADERS ARE DESIGNED TO BE MATED WITH "HE1302" RECEPTACLES SINGLE ROW
  - THE PART NUMBERS FOLLOWED BY \* ARE COVERED BY INTERNATIONAL STANDARD IEC 603-8
  - CONTACTS PLATING: MATING AREA, MIN. 0.4µm SELECTIVE GOLD OVER MIN. 1.27µm NICKEL  
SOLDER AREA, MIN. 2.5µm TIN OVER MIN. 1.27µm NICKEL
  - PLASTIC MATERIAL: HIGH TEMPERATURE THERMOPLASTIC, UL-94V-0, BLUE COLOR  
CONTACT MATERIAL: PHOSPHOR BRONZE
  - TYPE MARKING (HE1302) WITH BLACK INK
  - DATE CODE MARKING WITH BLACK INK

7 OBSOLETE PARTS: OBSOLETE CIS STREAMLINING PER D.RENAUD/D.SINISI



|  |  |  |  |                              |
|--|--|--|--|------------------------------|
| THIS DRAWING IS A CONTROLLED DOCUMENT.<br>CE PLAN EST UN DOCUMENT CONTROLE PAR AMP INCORPORATED.<br>IL EST SUSCEPTIBLE D'ETRE REVISE. CONTACTER LE SERVICE<br>TECHNIQUE D'AMP DE FRANCE POUR OBTENIR LA DERNIERE REVISION. |  | DWN/DESSINE 22NOV2000<br>C. COMBEDOUZON<br>CHK/VERIFIE 22NOV2000<br>T. CORRIOL<br>APVD/APPROUVE 22NOV2000<br>Y. PETRONIN | TE Connectivity  |                              |
| DIMENSIONS: mm   | TOLERANCES UNLESS OTHERWISE SPECIFIED: (SUIV NB DE DECIMALES)<br>0 PLC/DEC: ±<br>1 PLC/DEC: ±0.3<br>2 PLC/DEC: ±<br>3 PLC/DEC: ±<br>4 PLC/DEC: ±<br>ANGLES ±5° | PRODUCT SPEC SPEC. PRODUIT 108-15053<br>APPLICATION SPEC SPEC. APPLICATION   | NAME / TITRE HEADERS HE13, SINGLE ROW, STRAIGHT                  |                              |
| MATERIAL/MATIERE SEE/VOIR NOTE 4   | FINISH/FINITION SEE/VOIR NOTE 3  | WEIGHT MASSE APPROX. -   | SIZE FORMAT A2<br>CAGE CODE 00779<br>DRAWING NO No PLAN C-281696 | RESTRICTED TO RESERVE A -    |
| CUSTOMER DRAWING /PLAN CLIENT  |  | UNIQUEMENT POUR REFERENCE  | SCALE ECHELLE 5:1  | SHEET FEUILLE OF DE 1 REV K2 |

## X-ON Electronics

Largest Supplier of Electrical and Electronic Components

*Click to view similar products for [Headers & Wire Housings](#) category:*

*Click to view products by [TE Connectivity](#) manufacturer:*

Other Similar products are found below :

[892-18-020-10-001101](#) [58102-G61-06LF](#) [582553-1](#) [0009485154](#) [009176003701906](#) [0050291907](#) [LY20-4P-DT1-P1E-BR](#) [02.125.8002.8](#)  
[609-3404](#) [61062-3](#) [61082-181009](#) [622-3653LF](#) [63453-116](#) [636-1030](#) [636-1427](#) [636-3427](#) [636-4007](#) [641938-9](#) [641991-4](#) [644827-2](#) [65817-](#)  
[010LF](#) [65817-015LF](#) [65863-015LF](#) [66207-023LF](#) [67095-007LF](#) [67601157](#) [68645-018](#) [68648-049](#) [70.362.1628.0](#) [70-4210](#) [70-4226B](#) [70-](#)  
[4853B](#) [707-5020](#) [707-5028](#) [71.350.2428.0](#) [71918-208LF](#) [71961-016LF](#) [733-134](#) [733-162](#) [754199-000](#) [760-3052](#) [787-8014-00](#) [79531-3000](#)  
[FCN-360C032-B](#) [FCN-367T-T012/H](#) [FCN-723D010/2](#) [80.063.4001.1](#) [800-90-001-10-001000](#) [800-90-010-10-002000](#) [801-43-002-10-013000](#)