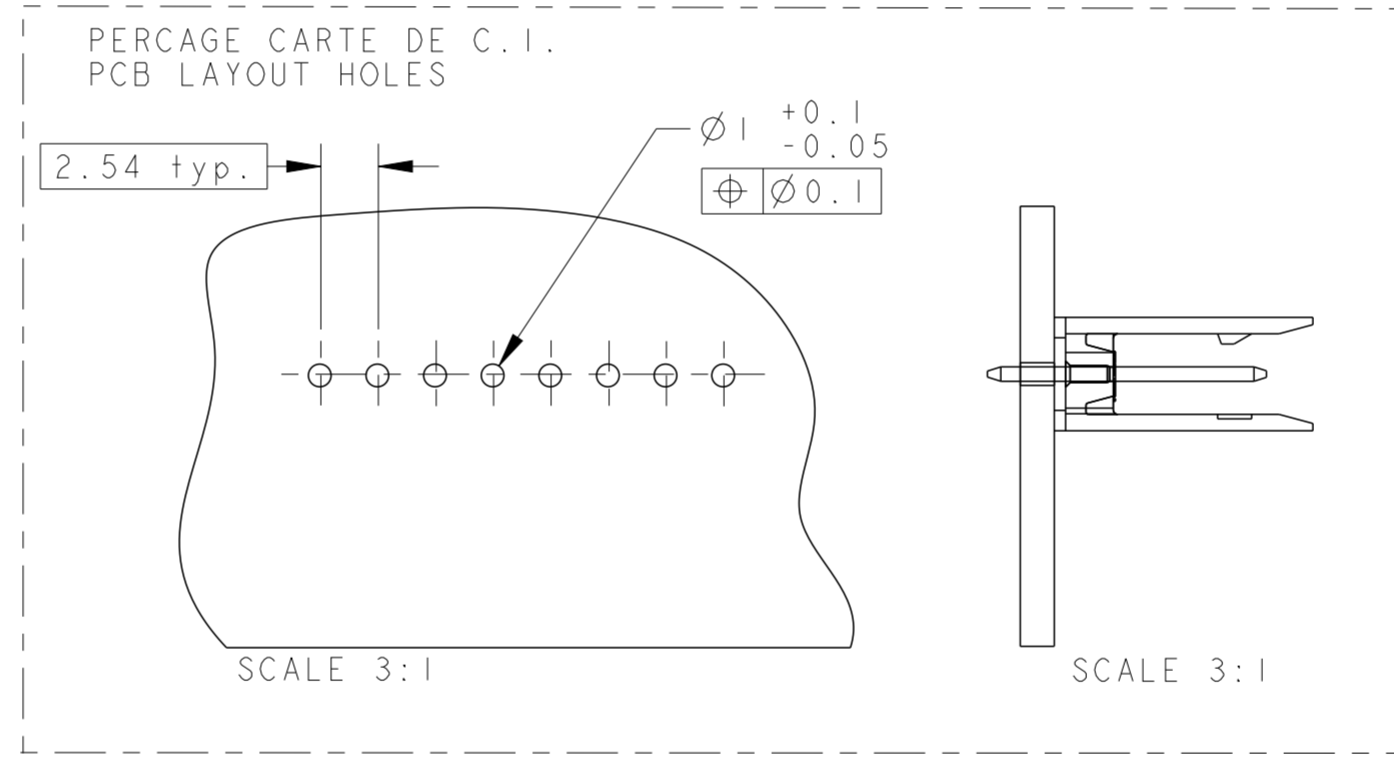
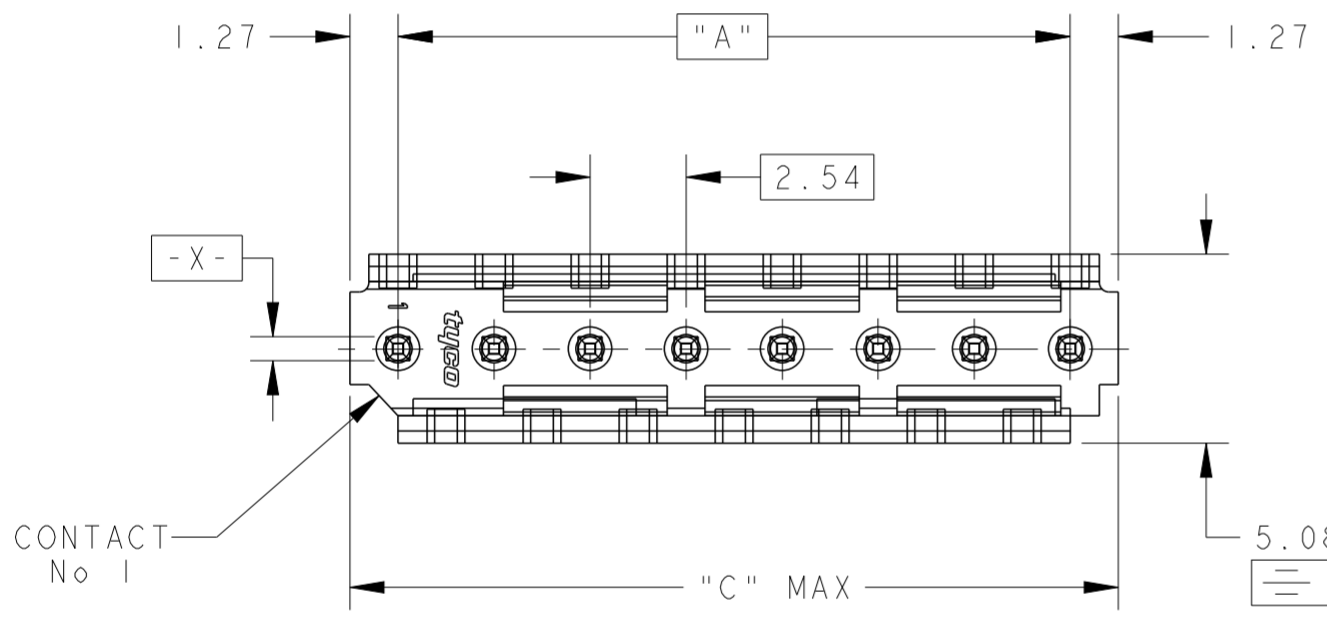
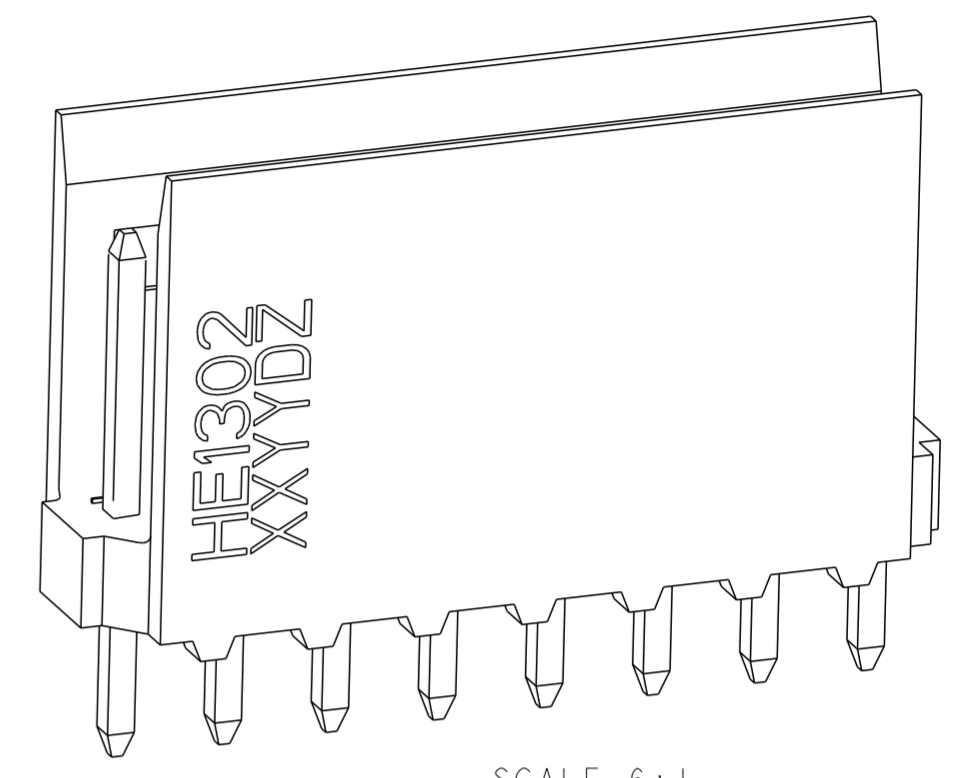
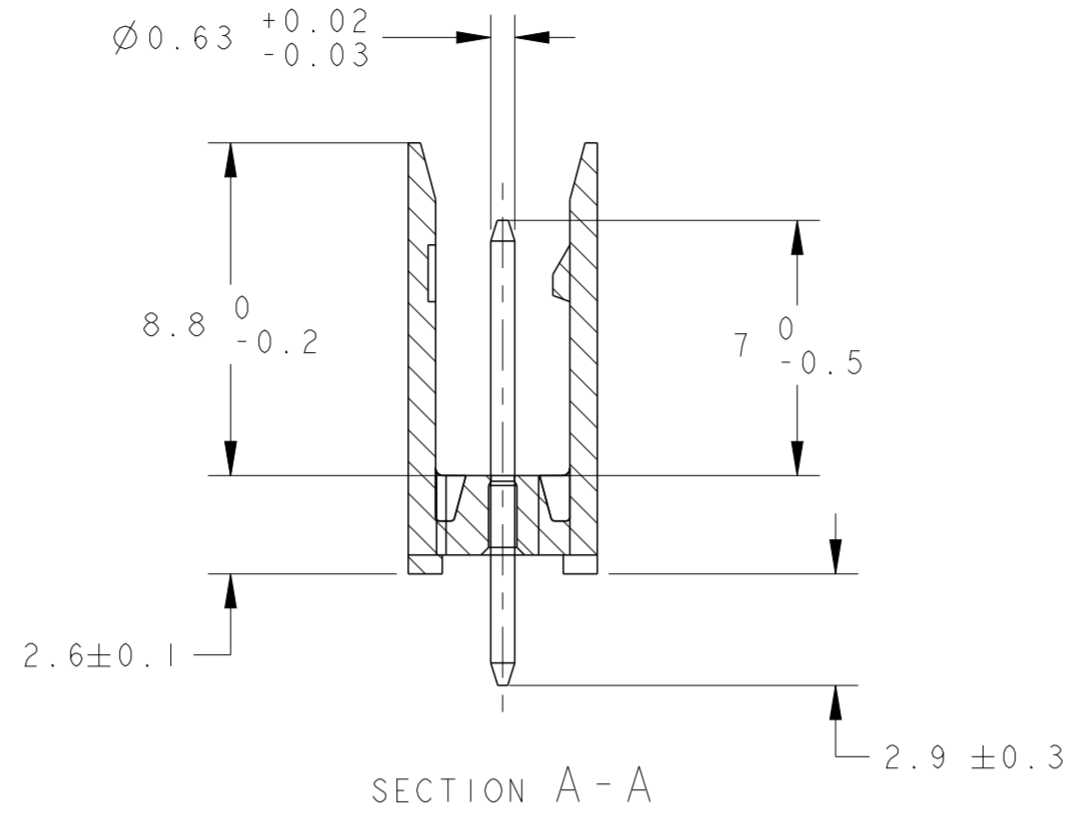
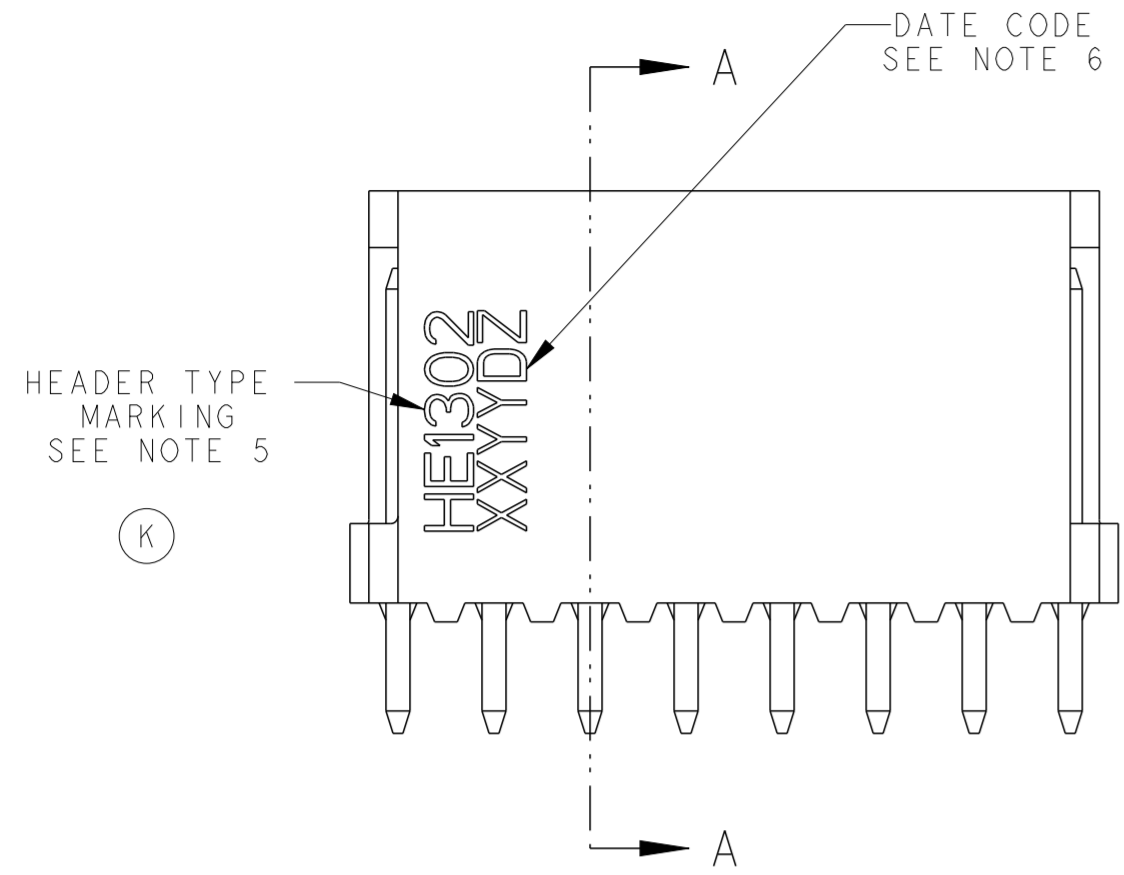


THIS DRAWING IS UNPUBLISHED. / DIFFUSION RESTREINTE
 RELEASED FOR PUBLICATION / LIBRE A LA DIFFUSION
 ALL RIGHTS RESERVED. / TOUS DROITS RESERVES

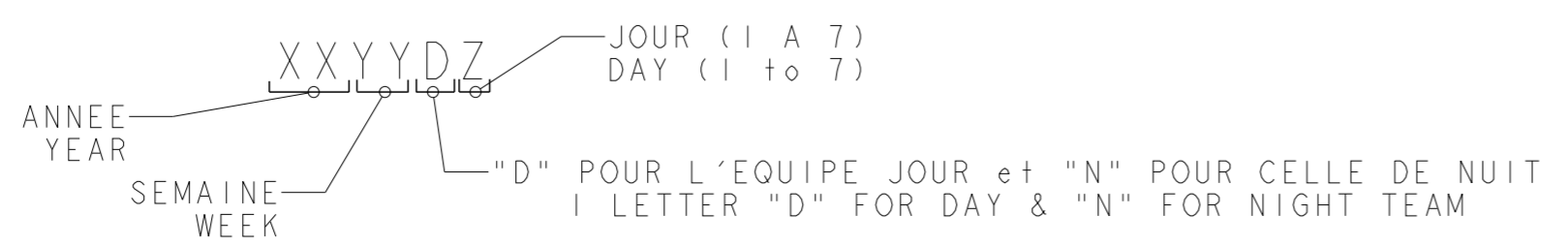
REVISIONS					
P	LTR	DESCRIPTION MODIFICATIONS	DATE	DWN. DESS.	APVD. APP.
	K2	PLATING NOTE CORRECTED	02AUG2016	KJK	PS



	45.72	43.18	18	1-281696-8 *
7 OBSOLETE	43.18	40.64	17	1-281696-7
	38.10	35.56	15	1-281696-5 *
	30.48	27.94	12	1-281696-2 *
	25.40	22.86	10	1-281696-0 *
	20.32	17.78	8	0-281696-8 *
	17.78	15.24	7	0-281696-7
	15.24	12.70	6	0-281696-6 *
	12.70	10.16	5	0-281696-5 *
	10.16	7.62	4	0-281696-4 *
	7.62	5.08	3	0-281696-3 *
	5.08	2.54	2	0-281696-2
	C	A	Nb DE POS	PART NUMBER
	DIMENSIONS			

- NOTES:
- THESE HEADERS ARE DESIGNED TO BE MATED WITH "HE1302" RECEPTACLES SINGLE ROW
 - THE PART NUMBERS FOLLOWED BY * ARE COVERED BY INTERNATIONAL STANDARD IEC 603-8
 - CONTACTS PLATING: MATING AREA, MIN. 0.4µm SELECTIVE GOLD OVER MIN. 1.27µm NICKEL
SOLDER AREA, MIN. 2.5µm TIN OVER MIN. 1.27µm NICKEL
 - PLASTIC MATERIAL: HIGH TEMPERATURE THERMOPLASTIC, UL-94V-0, BLUE COLOR
CONTACT MATERIAL: PHOSPHOR BRONZE
 - TYPE MARKING (HE1302) WITH BLACK INK
 - DATE CODE MARKING WITH BLACK INK

7 OBSOLETE PARTS: OBSOLETE CIS STREAMLINING PER D.RENAUD/D.SINISI



THIS DRAWING IS A CONTROLLED DOCUMENT. / CE PLAN EST UN DOCUMENT CONTROLE PAR AMP INCORPORATED. / IL EST SUSCEPTIBLE D'ETRE REVISE. CONTACTER LE SERVICE TECHNIQUE D'AMP DE FRANCE POUR OBTENIR LA DERNIERE REVISION.

STE TE Connectivity

NAME: HEADERS HE13, SINGLE ROW, STRAIGHT

SIZE FORMAT: A2 / CAGE CODE: 0779 / DRAWING NO: C-281696

UNIQUEMENT POUR REFERENCE / SCALE ECHELLE: 5:1 / SHEET FEUILLE: 1 OF DE: 1 / REV: K2

X-ON Electronics

Largest Supplier of Electrical and Electronic Components

Click to view similar products for [Headers & Wire Housings](#) category:

Click to view products by [TE Connectivity](#) manufacturer:

Other Similar products are found below :

[892-18-020-10-001101](#) [58102-G61-06LF](#) [582553-1](#) [0009485154](#) [009176003701906](#) [0050291907](#) [LY20-4P-DT1-P1E-BR](#) [02.125.8002.8](#)
[609-3404](#) [61062-3](#) [61082-181009](#) [622-3653LF](#) [63453-116](#) [636-1030](#) [636-1427](#) [636-3427](#) [636-4007](#) [641938-9](#) [641991-4](#) [644827-2](#) [65817-010LF](#) [65817-015LF](#) [65863-015LF](#) [66207-023LF](#) [67095-007LF](#) [67601157](#) [68645-018](#) [68648-049](#) [70.362.1628.0](#) [70-4210](#) [70-4226B](#) [70-4853B](#) [707-5020](#) [707-5028](#) [71.350.2428.0](#) [71918-208LF](#) [71961-016LF](#) [733-134](#) [733-162](#) [754199-000](#) [760-3052](#) [787-8014-00](#) [79531-3000](#)
[FCN-360C032-B](#) [FCN-367T-T012/H](#) [FCN-723D010/2](#) [80.063.4001.1](#) [800-90-001-10-001000](#) [800-90-010-10-002000](#) [801-43-002-10-013000](#)