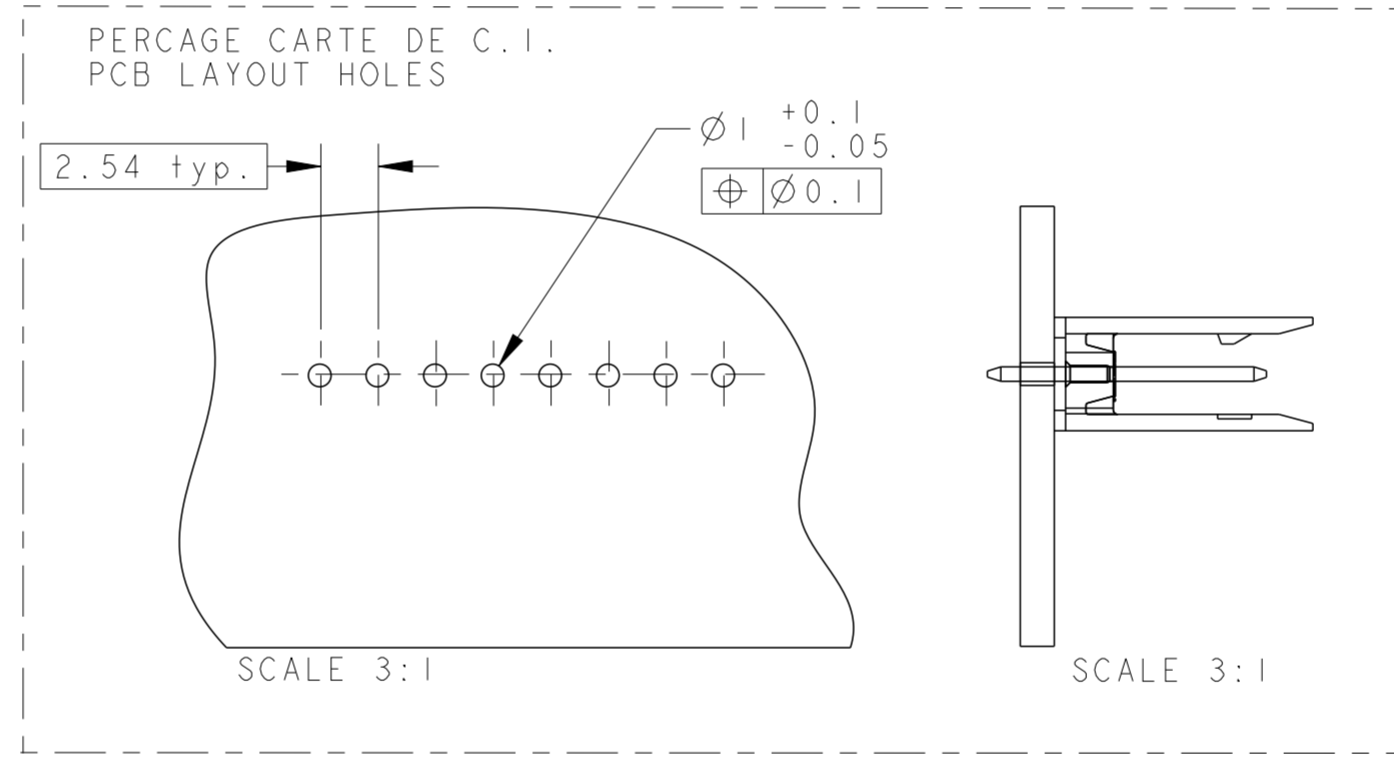
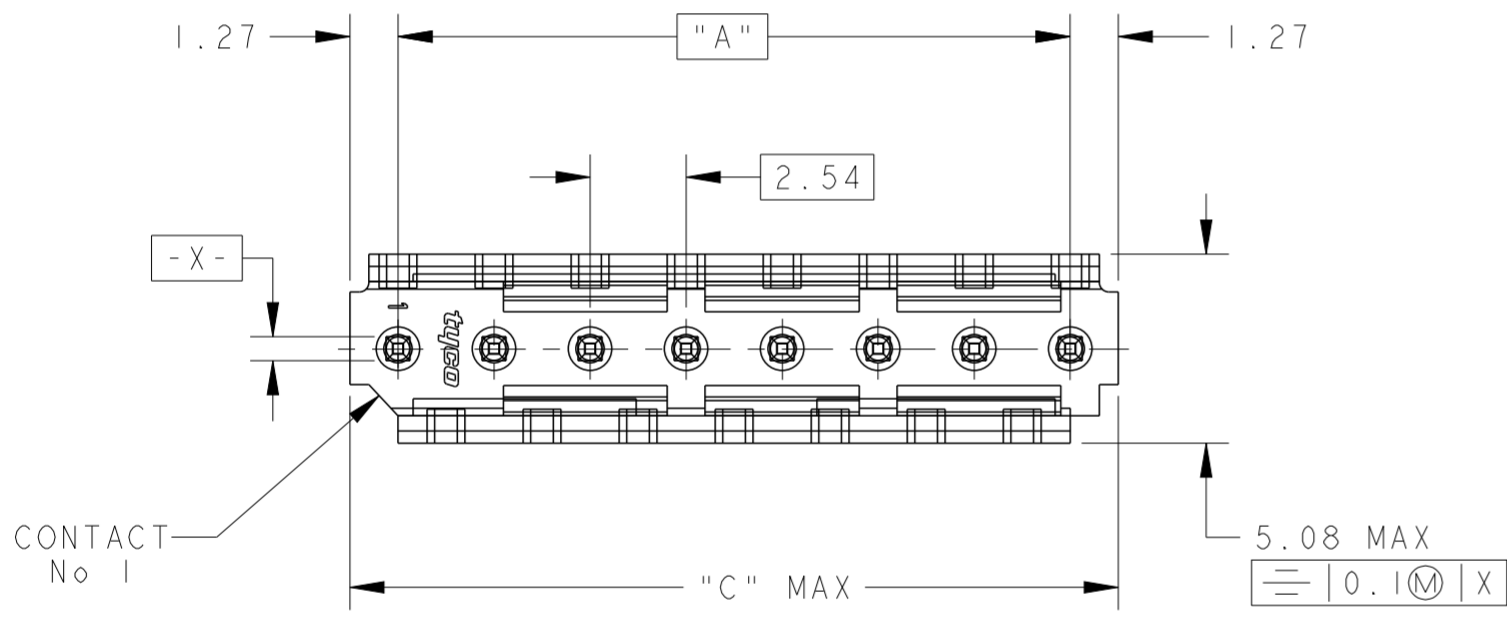
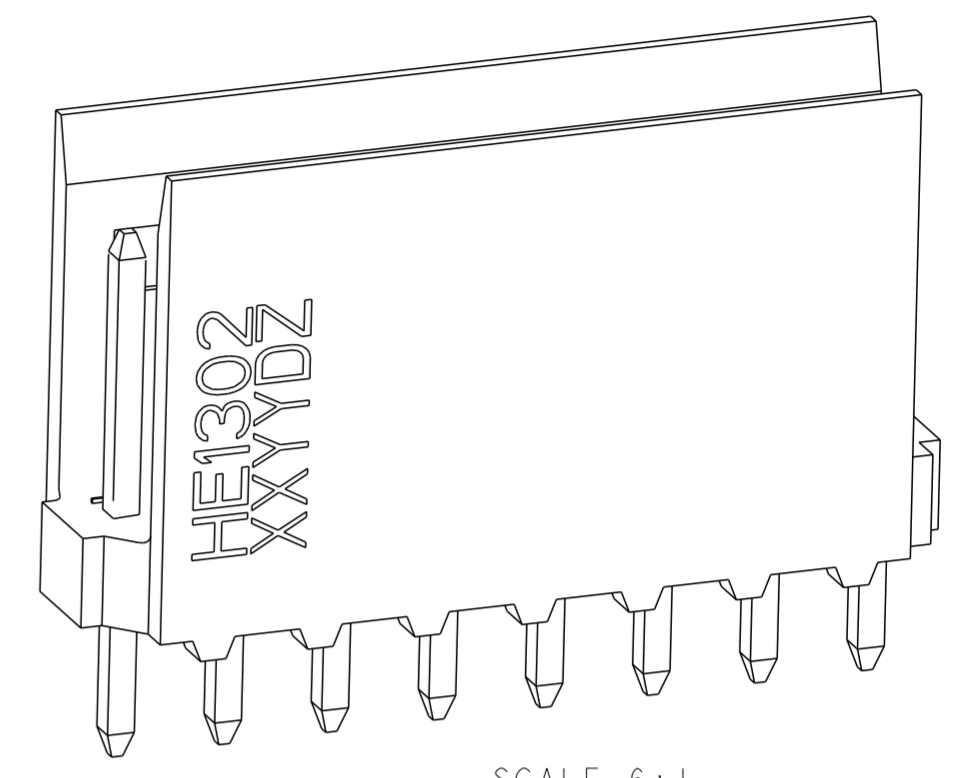
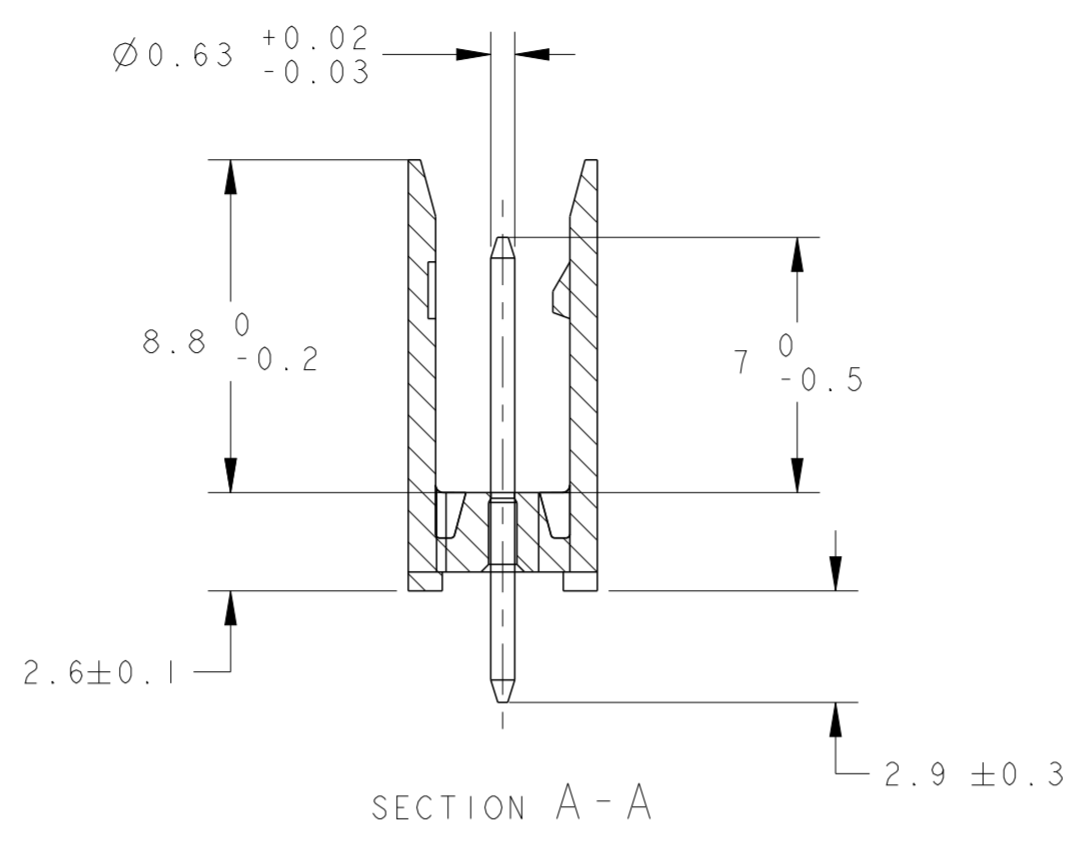
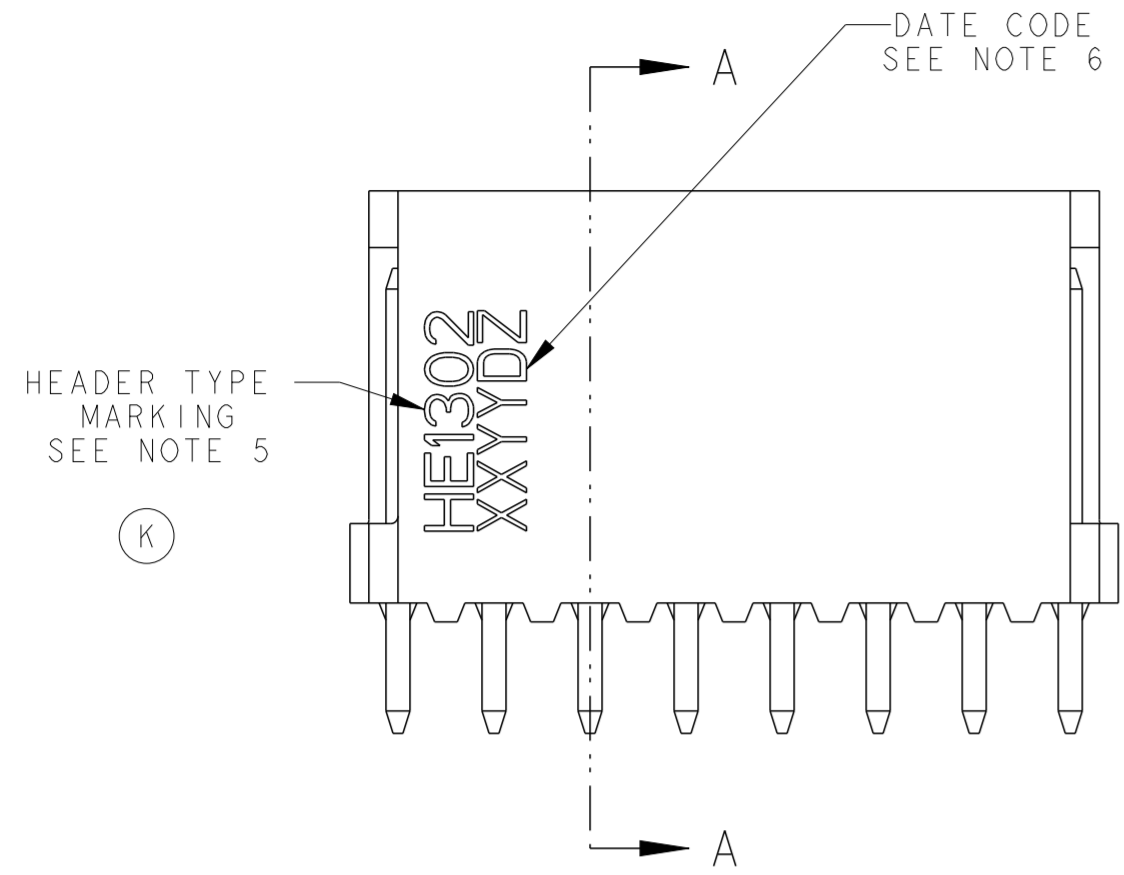


THIS DRAWING IS UNPUBLISHED. / DIFFUSION RESTREINTE  
 RELEASED FOR PUBLICATION / LIBRE A LA DIFFUSION  
 ALL RIGHTS RESERVED. / TOUS DROITS RESERVES

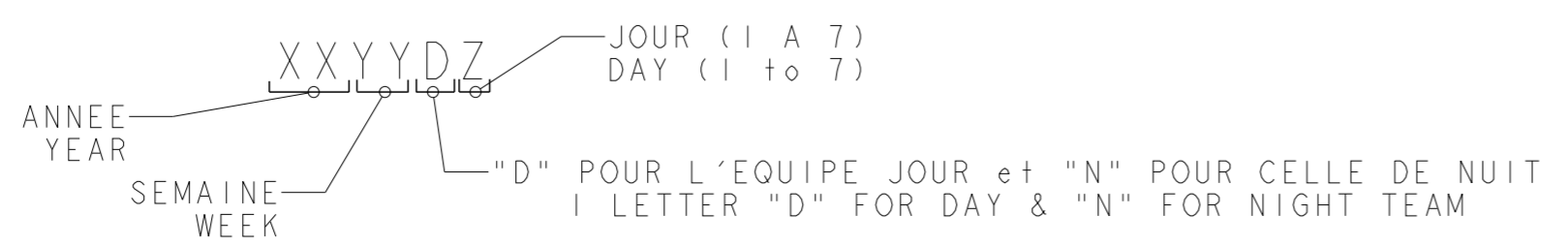
REVISIONS					
P	LTR	DESCRIPTION MODIFICATIONS	DATE	DWN. DESS.	APVD. APP.
	K2	PLATING NOTE CORRECTED	02AUG2016	KJK	PS



- NOTES:
- THESE HEADERS ARE DESIGNED TO BE MATED WITH "HE1302" RECEPTACLES SINGLE ROW
  - THE PART NUMBERS FOLLOWED BY \* ARE COVERED BY INTERNATIONAL STANDARD IEC 603-8
  - CONTACTS PLATING: MATING AREA, MIN. 0.4µm SELECTIVE GOLD OVER MIN. 1.27µm NICKEL  
SOLDER AREA, MIN. 2.5µm TIN OVER MIN. 1.27µm NICKEL
  - PLASTIC MATERIAL: HIGH TEMPERATURE THERMOPLASTIC, UL-94V-0, BLUE COLOR  
CONTACT MATERIAL: PHOSPHOR BRONZE
  - TYPE MARKING (HE1302) WITH BLACK INK
  - DATE CODE MARKING WITH BLACK INK

	45.72	43.18	18	1-281696-8 *
7 OBSOLETE	43.18	40.64	17	1-281696-7
	38.10	35.56	15	1-281696-5 *
	30.48	27.94	12	1-281696-2 *
	25.40	22.86	10	1-281696-0 *
	20.32	17.78	8	0-281696-8 *
	17.78	15.24	7	0-281696-7
	15.24	12.70	6	0-281696-6 *
	12.70	10.16	5	0-281696-5 *
	10.16	7.62	4	0-281696-4 *
	7.62	5.08	3	0-281696-3 *
	5.08	2.54	2	0-281696-2
	C	A	Nb DE POS	PART NUMBER
	DIMENSIONS			

7 OBSOLETE PARTS: OBSOLETE CIS STREAMLINING PER D.RENAUD/D.SINISI



THIS DRAWING IS A CONTROLLED DOCUMENT. CE PLAN EST UN DOCUMENT CONTROLE PAR AMP INCORPORATED. IL EST SUSCEPTIBLE D'ETRE REVISE. CONTACTER LE SERVICE TECHNIQUE D'AMP DE FRANCE POUR OBTENIR LA DERNIERE REVISION.		DWN/DESSINE 22NOV2000 C. COMBEDOUZON CHK/VERIFIE 22NOV2000 T. CORRIOL APVD/APPROUVE 22NOV2000 Y. PETRONIN		NAME / TITRE HEADERS HE13, SINGLE ROW, STRAIGHT	
DIMENSIONS: mm		TOLERANCES UNLESS OTHERWISE SPECIFIED: (SUIV NB DE DECIMALES) 0 PLC/DEC: ± 1 PLC/DEC: ±0.3 2 PLC/DEC: ± 3 PLC/DEC: ± 4 PLC/DEC: ± ANGLES ±5°		PRODUCT SPEC SPEC. PRODUIT 108-15053	
MATERIAL/MATIERE SEE/VOIR NOTE 4		FINISH/FINITION SEE/VOIR NOTE 3		APPLICATION SPEC SPEC. APPLICATION	
WEIGHT MASSE APPROX.		CAGE CODE A200779		DRAWING NO No PLAN C-281696	
CUSTOMER DRAWING /PLAN CLIENT		UNIQUEMENT POUR REFERENCE		SCALE ECHELLE 5:1	
		SHEET FEUILLE		OF DE	
				REV K2	

## X-ON Electronics

Largest Supplier of Electrical and Electronic Components

*Click to view similar products for [Headers & Wire Housings](#) category:*

*Click to view products by [TE Connectivity](#) manufacturer:*

Other Similar products are found below :

[95000-104TRLF](#) [10135584-644402LF](#) [DF62W-EP2022PCA](#) [95000-106TRLF](#) [DF62W-2022SCA](#) [DF62W-EP2022PC](#) [2203348](#) [DF62W-2022SC](#) [1084018](#) [1029039](#) [1084017](#) [802-10-012-10-002000](#) [1112640](#) [1112639](#) [000-34000](#) [0009482033](#) [0009507031](#) [57102-S06-03LF](#) [57202-S52-04LF](#) [PCN6-15S-2.5E](#) [0039019024](#) [58102-G61-06LF](#) [582553-1](#) [0009508121](#) [0050291907](#) [018731A](#) [LY20-4P-DT1-P1E-BR](#) [02.125.8002.8](#) [60101931](#) [60598-1 \(Cut Strip\)](#) [M1625-3R/100](#) [61062-3](#) [61082-181009](#) [636-1427](#) [638009-1](#) [641938-9](#) [641991-4](#) [644168-1](#) [647662-1](#) [65039-019ELF](#) [65817-002LF](#) [65817-015LF](#) [65863-015LF](#) [66207-023LF](#) [67016-026LF](#) [67046-001LF](#) [67095-007LF](#) [68002-116](#) [68016-236H](#) [68648-049](#)