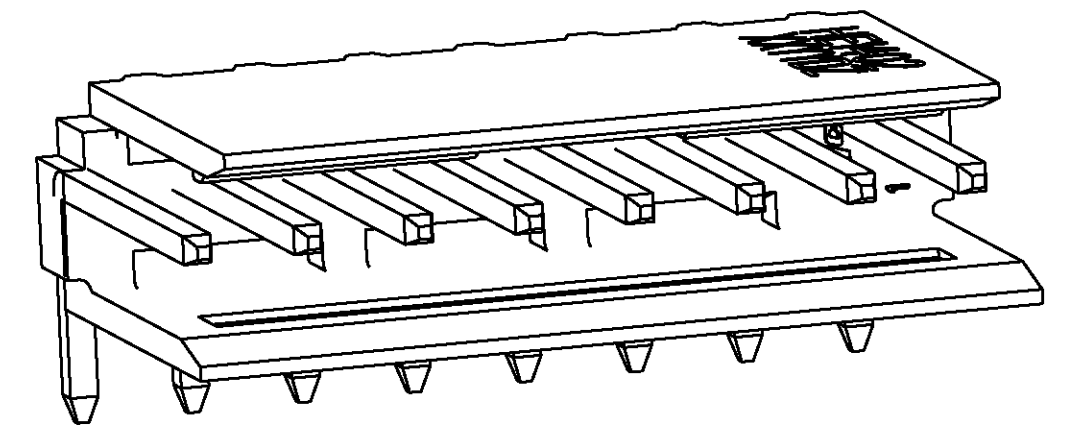
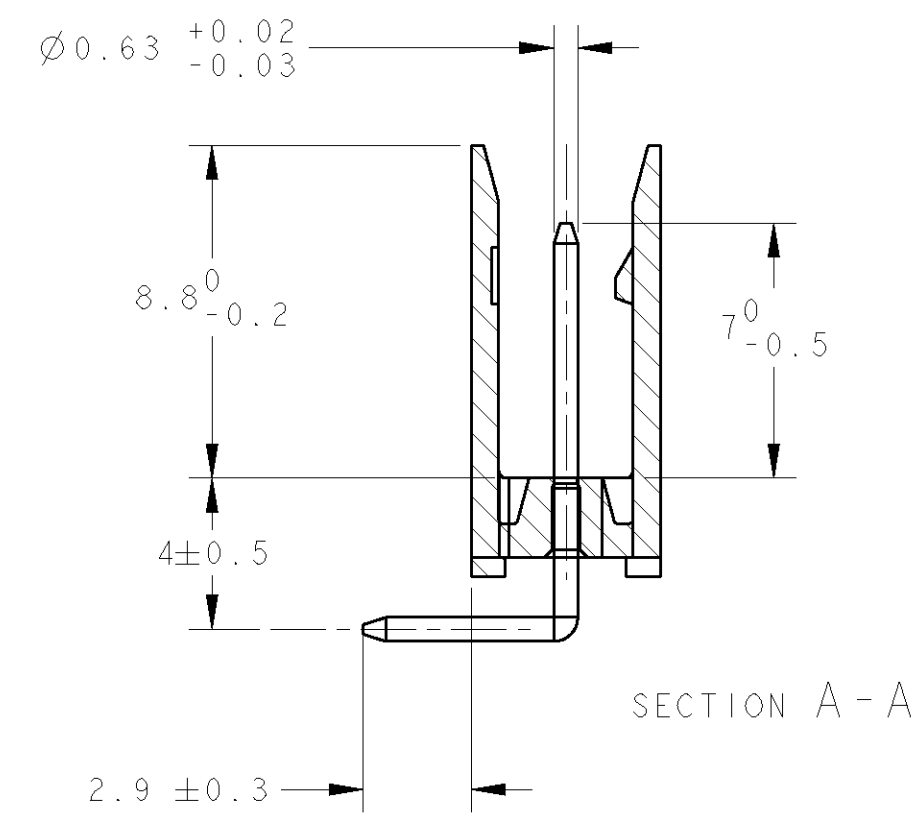
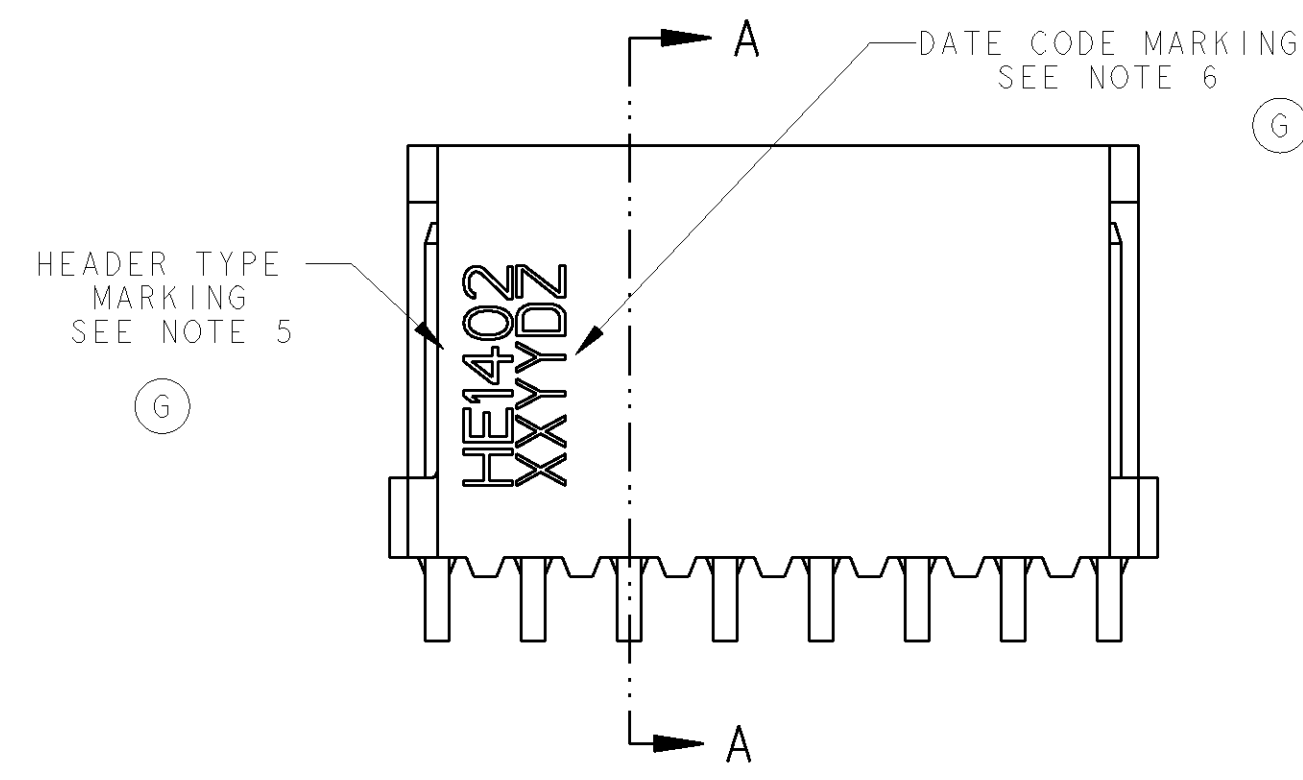


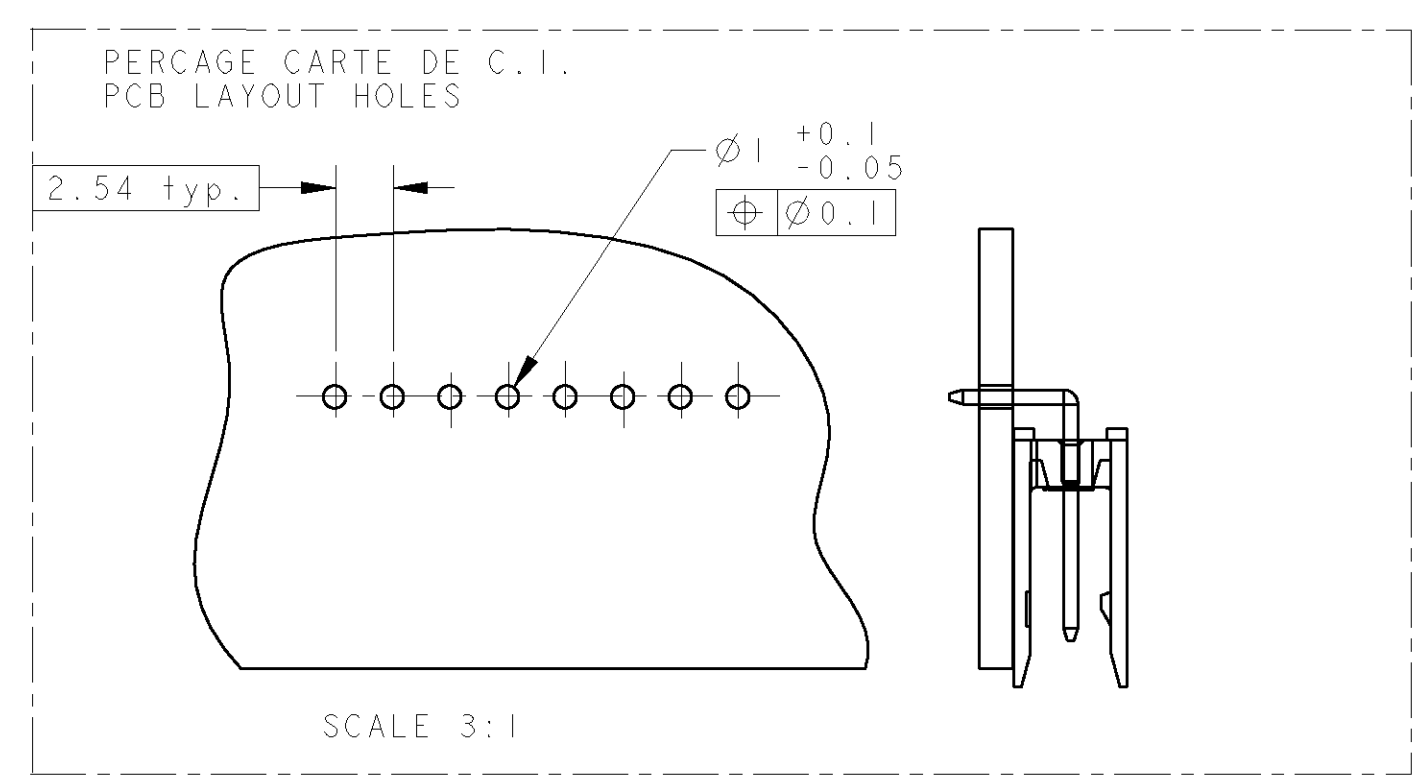
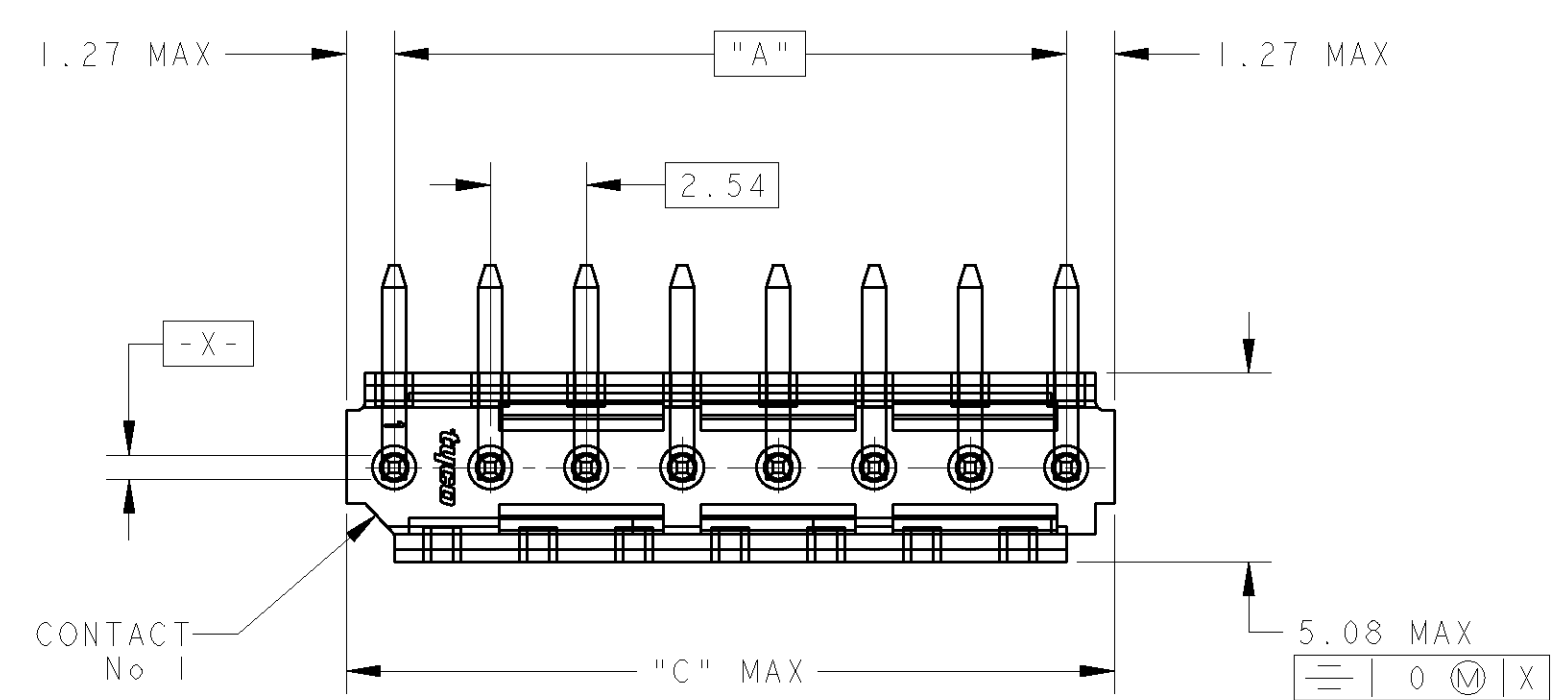
THIS DRAWING IS UNPUBLISHED.
 DIFFUSION RESTREINTE
 © COPYRIGHT

RELEASED FOR PUBLICATION
 LIBRE A LA DIFFUSION
 ALL RIGHTS RESERVED.
 TOUS DROITS RESERVES

LOC	DIST	REVISIONS			
P	LTR	DESCRIPTION MODIFICATIONS	DATE	DWN DESS.	APVD APP.
F	7	G1 REVISED PER ECO-11-005150	19APR11	RK	HMR

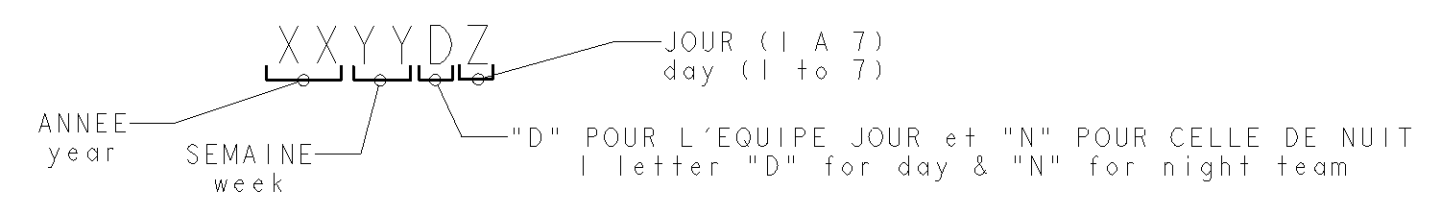


SCALE 6:1



45.72	43.18	18	1-281698-8	*
43.18	40.64	17	1-281698-7	
38.10	35.56	15	1-281698-5	*
30.48	27.94	12	1-281698-2	*
25.40	22.86	10	1-281698-0	*
20.32	17.78	8	0-281698-8	*
17.78	15.24	7	0-281698-7	
15.24	12.70	6	0-281698-6	*
12.70	10.16	5	0-281698-5	*
10.16	7.62	4	0-281698-4	*
7.62	5.08	3	0-281698-3	*
5.08	2.54	2	0-281698-2	
C	A	Nb DE POS	PART NUMBER	
DIMENSIONS				

- NOTES:
1. CES EMBASES SONT PREVUES POUR ETRE ACCOUPLEES AVEC LES FICHES "HE1402" SIMPLE RANGEE.
(These headers are designed to be mated with "HE1402" connectors single row)
 2. LES REFERENCES SUIVIES D'UN * SONT LES VERSIONS NORMALISEES SELON LA NORME CEI 603-8
(The parts numbers followed by * are covered by the international standard IEC 603-8)
 3. REVETEMENT DES CONTACTS: ETAIN PUR SUR NICKEL
(Contacts plating: lead free tin over nickel)
 4. MATIERE PLASTIQUE: TERMO-PLASTIQUE HAUTE TEMPERATURE, UL-94V0, COULEUR BLEUE
(Plastic material: High temperature thermoplastic, UL-94V0, Blue color)
MATIERE DES CONTACTS: BRONZE PHOSPHOREUX
(Contacts material: phosphor bronze)
 5. MARQUAGE DU TYPE D'EMBASE (HE1402) A L'ENCRE NOIRE
(type marking (HE1402) with black ink)
 6. MARQUAGE DE LA DATE A L'ENCRE NOIRE :
(date code marking with black ink)



DIMENSIONS: mm		TOLERANCES UNLESS OTHERWISE SPECIFIED: TOLERANCES NON SPECIFIEES (SUIV. NB DE DECIMALES) 0 PLC/DEC: ± 1 PLC/DEC: ±0.3 2 PLC/DEC: ±0.13 3 PLC/DEC: ±0.013 4 PLC/DEC: ±0.001 ANGLES ±5°	DWN/DESSINE 22NOV2000 C. COMBEDOUZON CHK/VERIFIE 22NOV2000 I. CORRIOL APVD/APROUVE 22NOV2000 Y. PETRONIN	 TE Connectivity	
MATERIAL/MATIERE SEE NOTE 4		FINISH/FINITION SEE/VOIR NOTE 3	PRODUCT SPEC SPEC. PRODUIT 108-15053	NAME TITRE HEADERS HE14, SINGLE ROW, RIGHT ANGLE	
SEE NOTE 4		SEE/VOIR NOTE 3	APPLICATION SPEC SPEC. APPLICATION	SIZE FORMAT A2	CAGE CODE 00779
CUSTOMER DRAWING /PLAN CLIENT		UNIQUEMENT POUR REFERENCE	SCALE ECHELLE 4	DRAWING NO No PLAN C-281698	RESTRICTED TO RESERVE A
			SHEET FEUILLE	OF DE	REV G1

X-ON Electronics

Largest Supplier of Electrical and Electronic Components

Click to view similar products for [Headers & Wire Housings](#) category:

Click to view products by [TE Connectivity](#) manufacturer:

Other Similar products are found below :

[892-18-020-10-001101](#) [58102-G61-06LF](#) [582553-1](#) [0009485154](#) [009176003701906](#) [0050291907](#) [LY20-4P-DT1-P1E-BR](#) [02.125.8002.8](#)
[609-3404](#) [61062-3](#) [61082-181009](#) [622-3653LF](#) [63453-116](#) [636-1030](#) [636-1427](#) [636-3427](#) [636-4007](#) [641938-9](#) [641991-4](#) [644827-2](#) [65817-010LF](#) [65817-015LF](#) [65863-015LF](#) [66207-023LF](#) [67095-007LF](#) [67601157](#) [68645-018](#) [68648-049](#) [70.362.1628.0](#) [70-4210](#) [70-4226B](#) [70-4853B](#) [707-5020](#) [707-5028](#) [71.350.2428.0](#) [71918-208LF](#) [71961-016LF](#) [733-134](#) [733-162](#) [754199-000](#) [760-3052](#) [787-8014-00](#) [79531-3000](#)
[FCN-360C032-B](#) [FCN-367T-T012/H](#) [FCN-723D010/2](#) [80.063.4001.1](#) [800-90-001-10-001000](#) [800-90-010-10-002000](#) [801-43-002-10-013000](#)