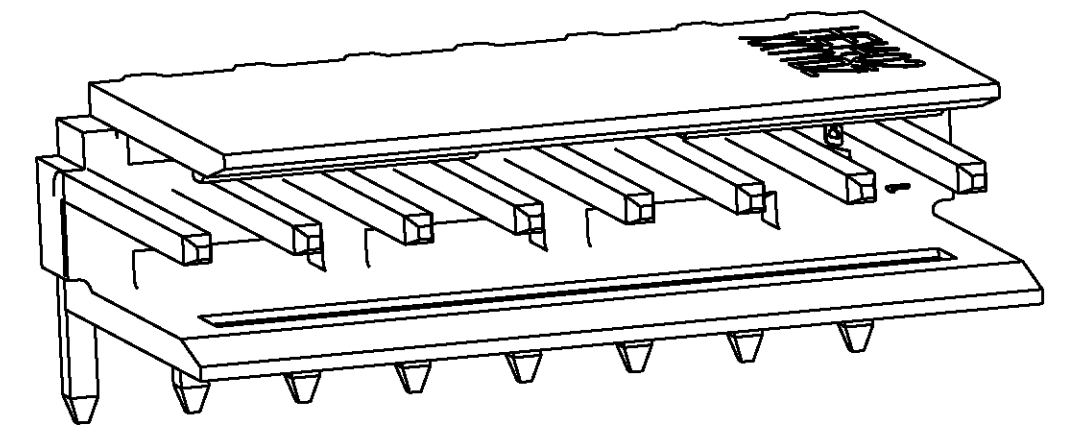
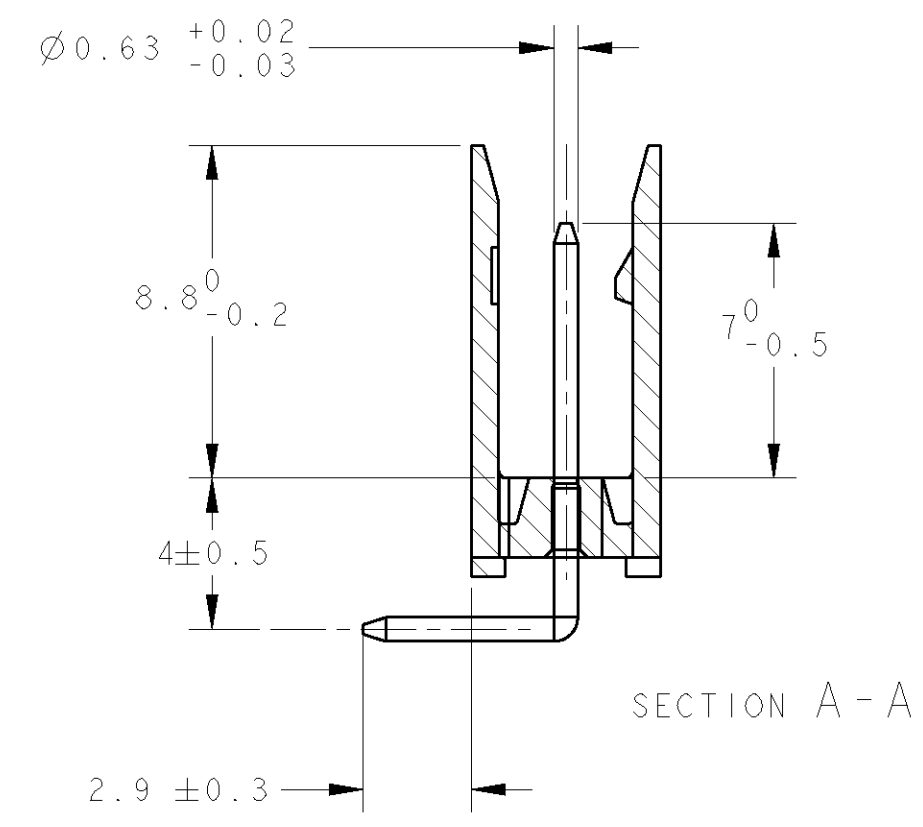
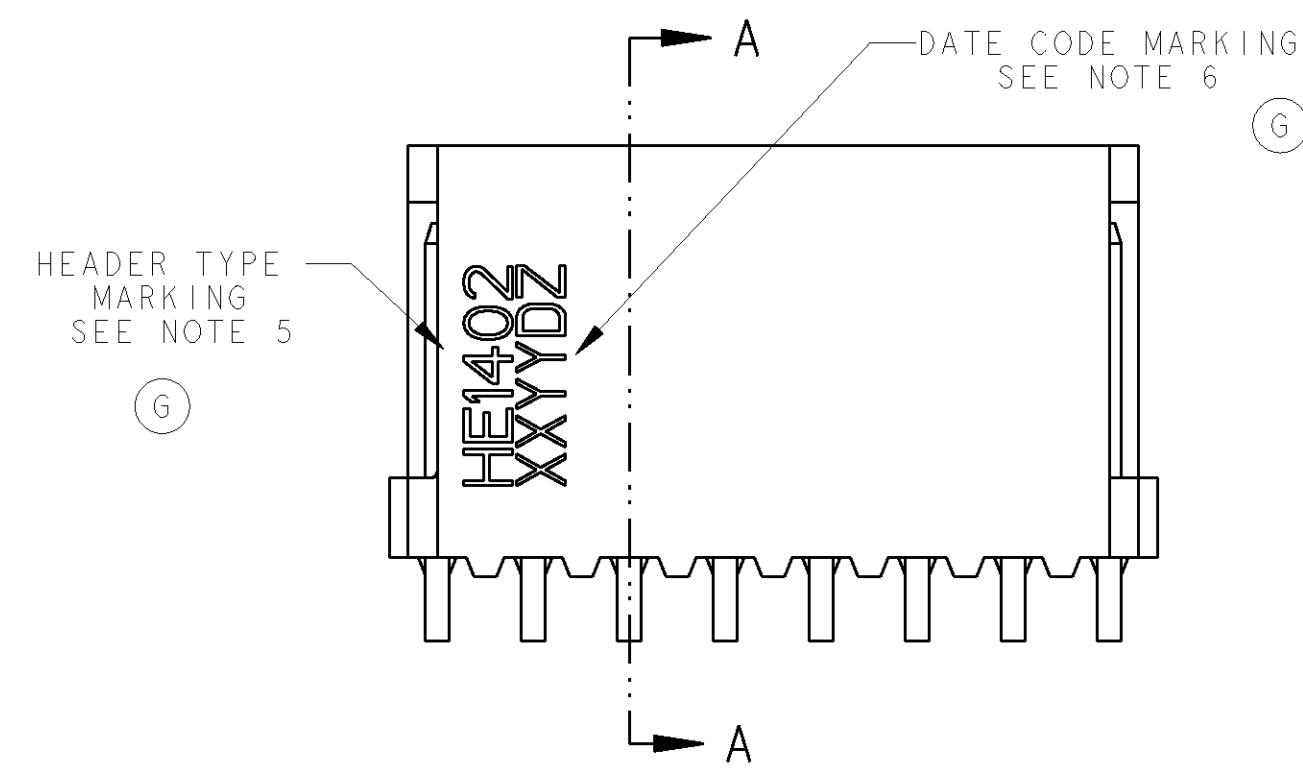


THIS DRAWING IS UNPUBLISHED.
DIFFUSION RESTREINTE

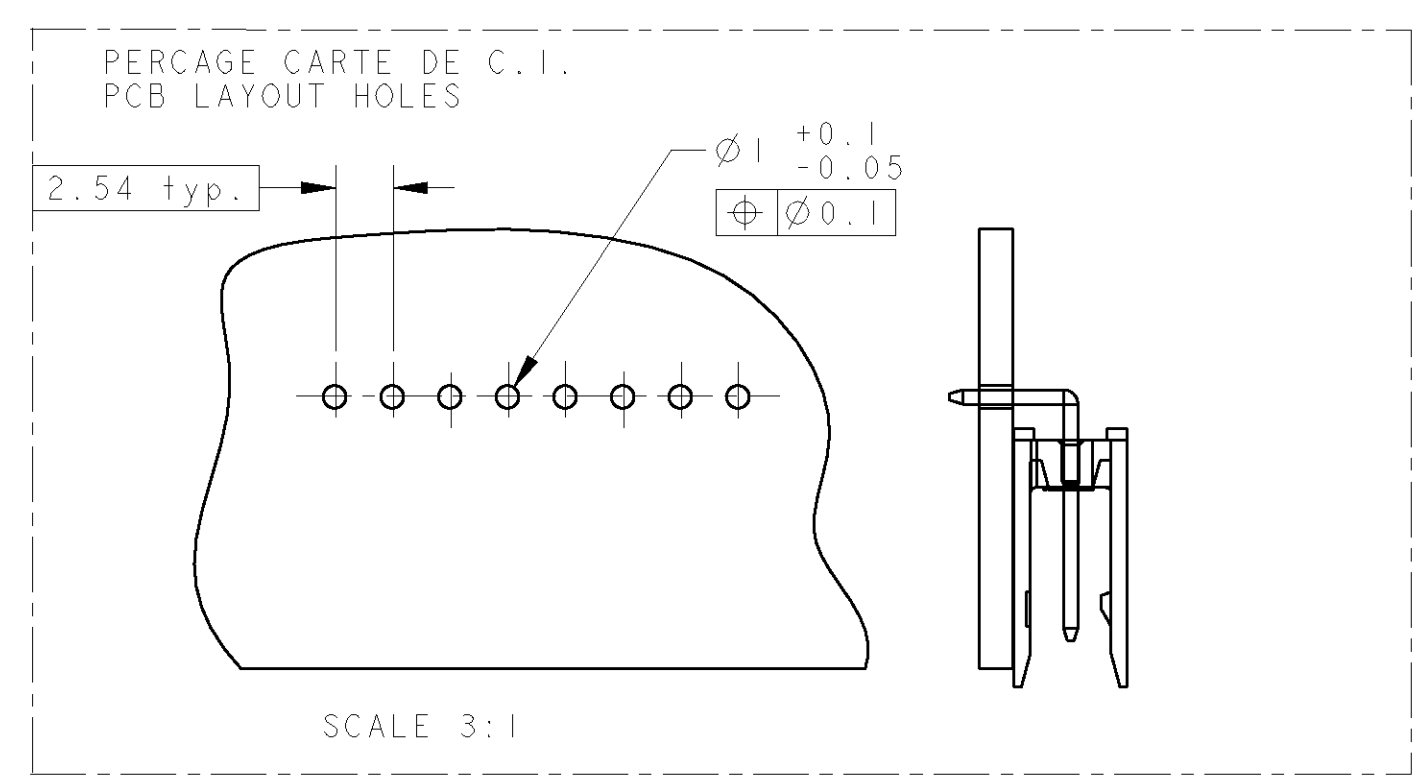
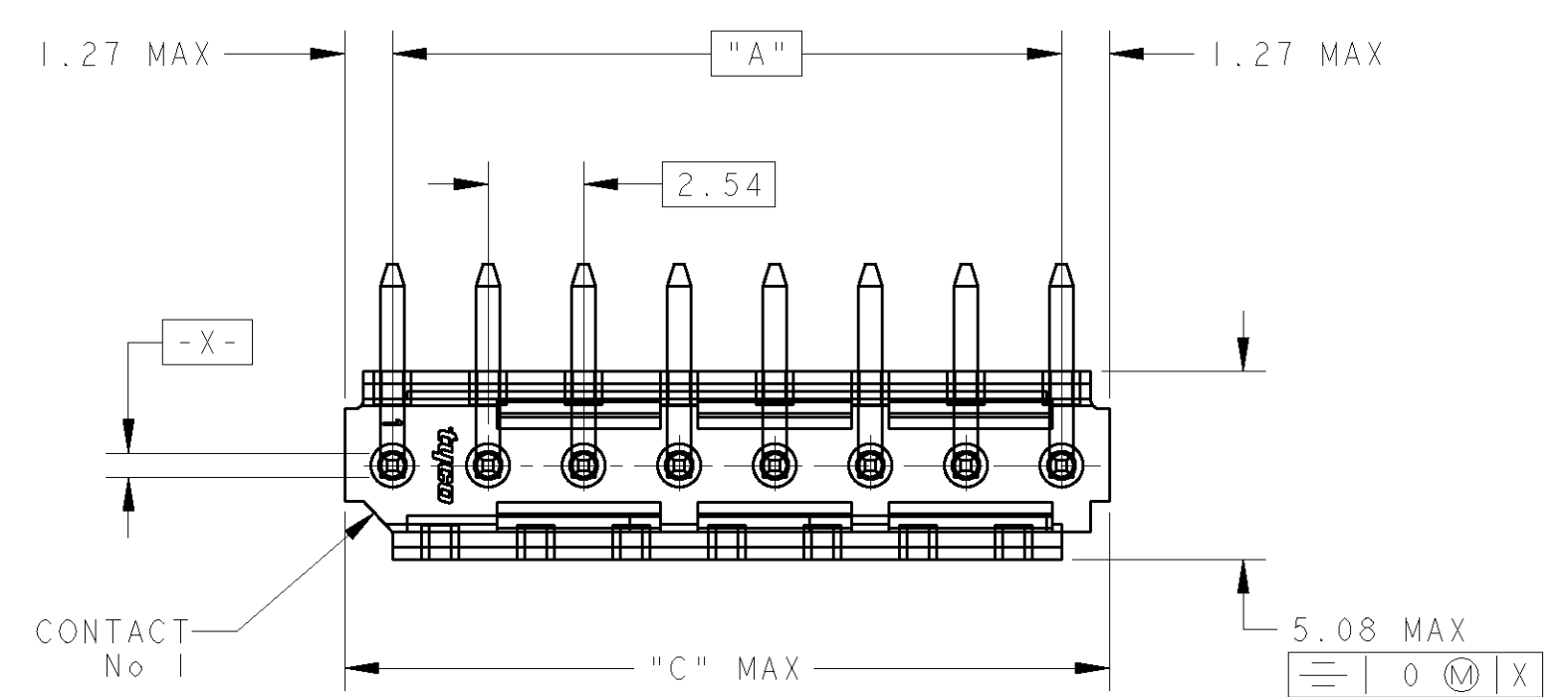
RELEASED FOR PUBLICATION
LIBRE A LA DIFFUSION

ALL RIGHTS RESERVED.
TOUS DROITS RESERVES

| LOC | | DIST | | REVISIONS | | | |
|-----|--|------|--|-----------|---------------------------|---------|-----------------|
| F | | 7 | | P | LTR | DATE | DWN. DESS. APP. |
| | | | | G1 | REVISED PER ECO-11-005150 | 19APR11 | RK HMR |



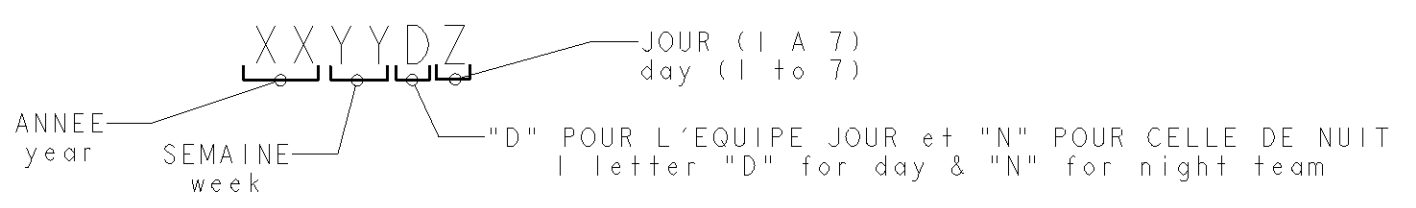
SCALE 6:1



SCALE 3:1

| | | | | |
|------------|-------|-----------|-------------|---|
| 45.72 | 43.18 | 18 | 1-281698-8 | * |
| 43.18 | 40.64 | 17 | 1-281698-7 | |
| 38.10 | 35.56 | 15 | 1-281698-5 | * |
| 30.48 | 27.94 | 12 | 1-281698-2 | * |
| 25.40 | 22.86 | 10 | 1-281698-0 | * |
| 20.32 | 17.78 | 8 | 0-281698-8 | * |
| 17.78 | 15.24 | 7 | 0-281698-7 | |
| 15.24 | 12.70 | 6 | 0-281698-6 | * |
| 12.70 | 10.16 | 5 | 0-281698-5 | * |
| 10.16 | 7.62 | 4 | 0-281698-4 | * |
| 7.62 | 5.08 | 3 | 0-281698-3 | * |
| 5.08 | 2.54 | 2 | 0-281698-2 | |
| C | A | Nb DE POS | PART NUMBER | |
| DIMENSIONS | | | | |

- NOTES:
- CES EMBASES SONT PREVUES POUR ETRE ACCOUPLEES AVEC LES FICHES "HE1402" SIMPLE RANGEE.
(These headers are designed to be mated with "HE1402" connectors single row)
 - LES REFERENCES SUIVIES D'UN * SONT LES VERSIONS NORMALISEES SELON LA NORME CEI 603-8
(The parts numbers followed by * are covered by the international standard IEC 603-8)
 - RETEVEMENT DES CONTACTS: ETAIN PUR SUR NICKEL
(Contacts plating: lead free tin over nickel)
 - MATIERE PLASTIQUE: TERMO-PLASTIQUE HAUTE TEMPERATURE, UL-94V0, COULEUR BLEUE
(Plastic material: High temperature thermoplastic, UL-94V0, Blue color)
MATIERE DES CONTACTS: BRONZE PHOSPHOREUX
(Contacts material: phosphor bronze)
 - MARQUAGE DU TYPE D'EMBASE (HE1402) A L'ENCRE NOIRE
(type marking (HE1402) with black ink)
 - MARQUAGE DE LA DATE A L'ENCRE NOIRE :
(date code marking with black ink)



| | | | | | | | |
|------------------------------|--|---|--|--|--|------------------------------|--|
| DIMENSIONS: | | TOLERANCES UNLESS OTHERWISE SPECIFIED: (SUIV. NB DE DECIMALES) | | DWN/DESSINE: 22NOV2000 C. COMBEDOUZON | | TE Connectivity | |
| mm | | 0 PLC/DEC: ± 1 PLC/DEC: ±0.3 2 PLC/DEC: ±0.13 3 PLC/DEC: ±0.013 4 PLC/DEC: ±0.001 | | CHK/VERIFIE: 22NOV2000 I. CORRIOLU | | | |
| MATERIAL/MATIERE: SEE NOTE 4 | | FINISH/FINITION: SEE/VOIR NOTE 3 | | APVD/APROUVE: 22NOV2000 Y. PETRONIN | | SIZE FORMAT: A2 | |
| | | | | PRODUCT SPEC: 108-15053 | | DRAWING NO: 281698 | |
| | | | | APPLICATION SPEC: - | | CAGE CODE: 00779 | |
| | | | | WEIGHT MASSE APPROX.: | | UNIQUEMENT POUR REFERENCE | |
| | | | | CUSTOMER DRAWING /PLAN CLIENT | | SCALE ECHELLE: 4 | |
| | | | | | | SHEET FEUILLE: OF DE: REV G1 | |

X-ON Electronics

Largest Supplier of Electrical and Electronic Components

Click to view similar products for [Headers & Wire Housings](#) category:

Click to view products by [TE Connectivity](#) manufacturer:

Other Similar products are found below :

[892-18-020-10-001101](#) [58102-G61-06LF](#) [582553-1](#) [0009485154](#) [009176003701906](#) [0050291907](#) [LY20-4P-DT1-P1E-BR](#) [02.125.8002.8](#)
[609-3404](#) [61062-3](#) [61082-181009](#) [622-3653LF](#) [63453-116](#) [636-1030](#) [636-1427](#) [636-3427](#) [636-4007](#) [641938-9](#) [641991-4](#) [644827-2](#) [65817-010LF](#) [65817-015LF](#) [65863-015LF](#) [66207-023LF](#) [67095-007LF](#) [67601157](#) [68645-018](#) [68648-049](#) [70.362.1628.0](#) [70-4210](#) [70-4226B](#) [70-4853B](#) [707-5020](#) [707-5028](#) [71.350.2428.0](#) [71918-208LF](#) [71961-016LF](#) [733-134](#) [733-162](#) [754199-000](#) [760-3052](#) [787-8014-00](#) [79531-3000](#)
[FCN-360C032-B](#) [FCN-367T-T012/H](#) [FCN-723D010/2](#) [80.063.4001.1](#) [800-90-001-10-001000](#) [800-90-010-10-002000](#) [801-43-002-10-013000](#)