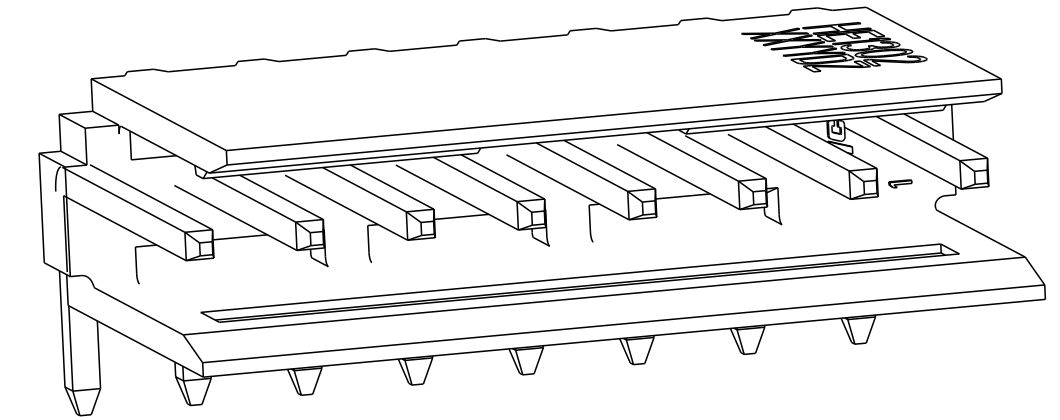
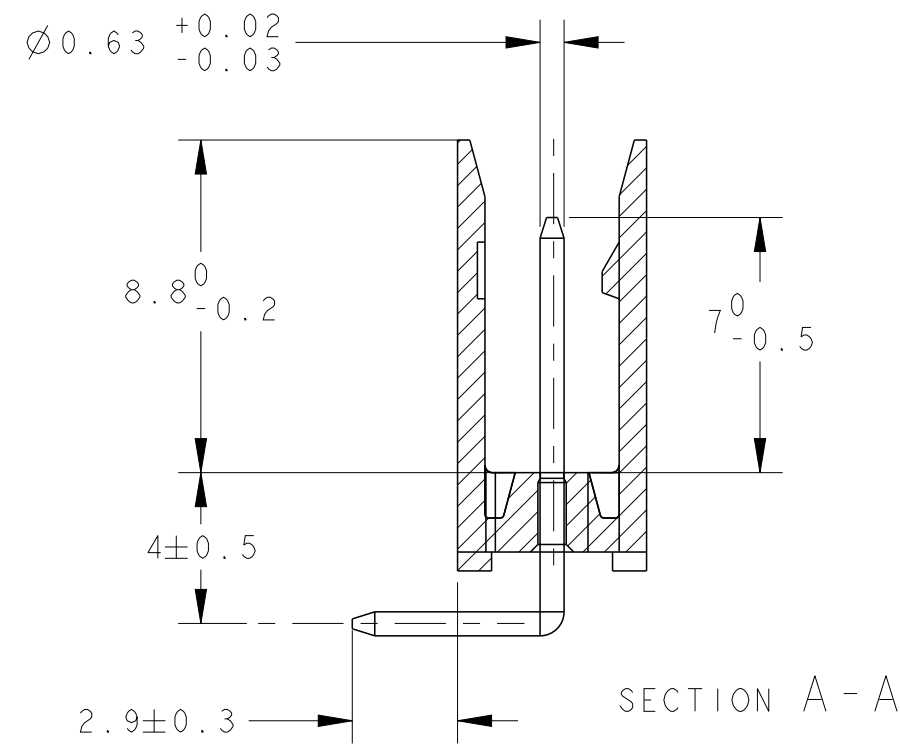
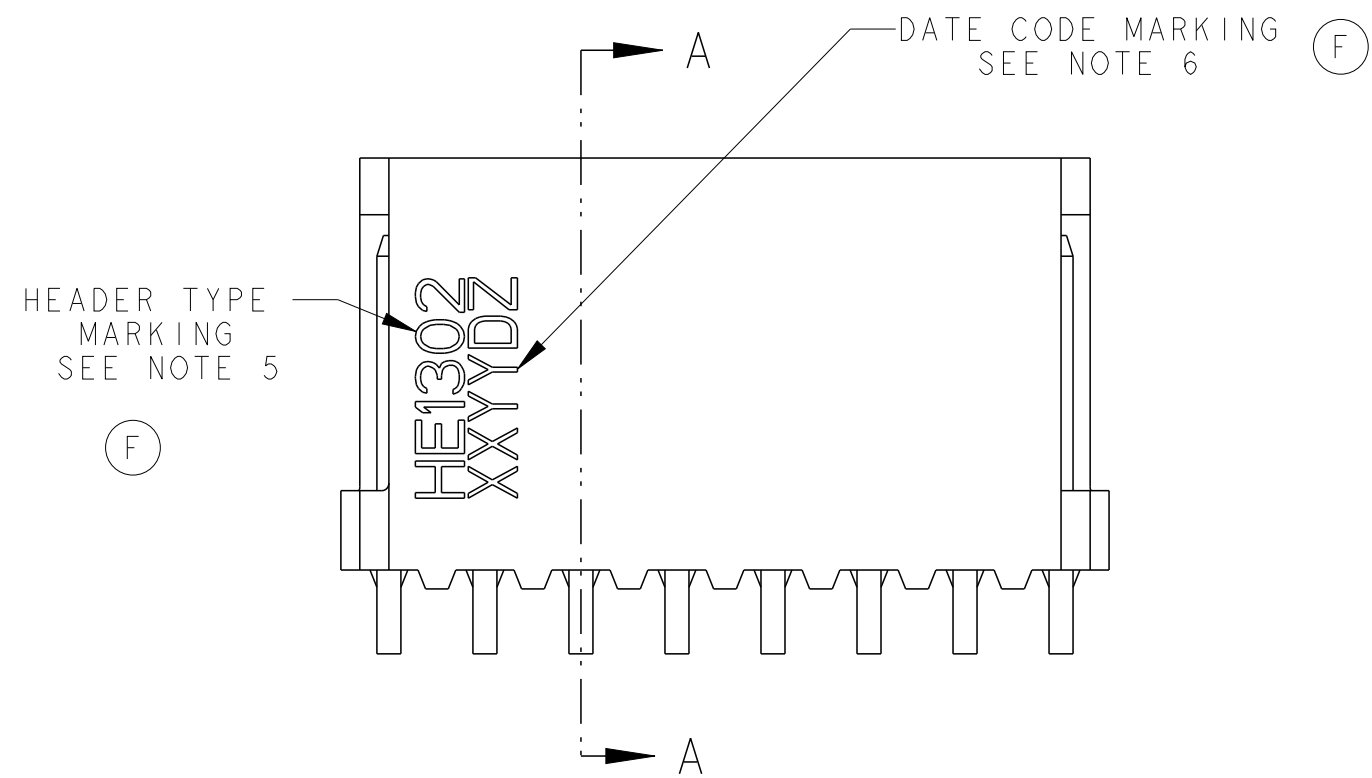
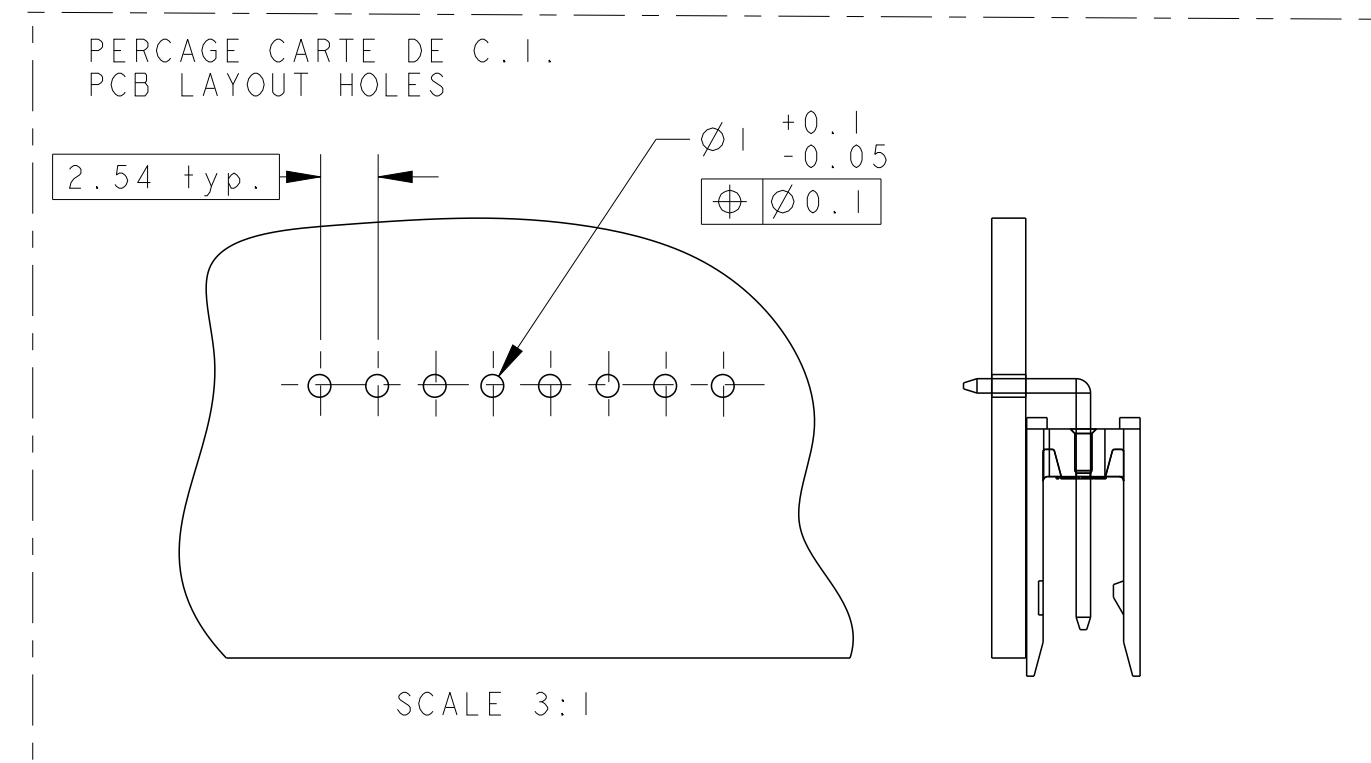
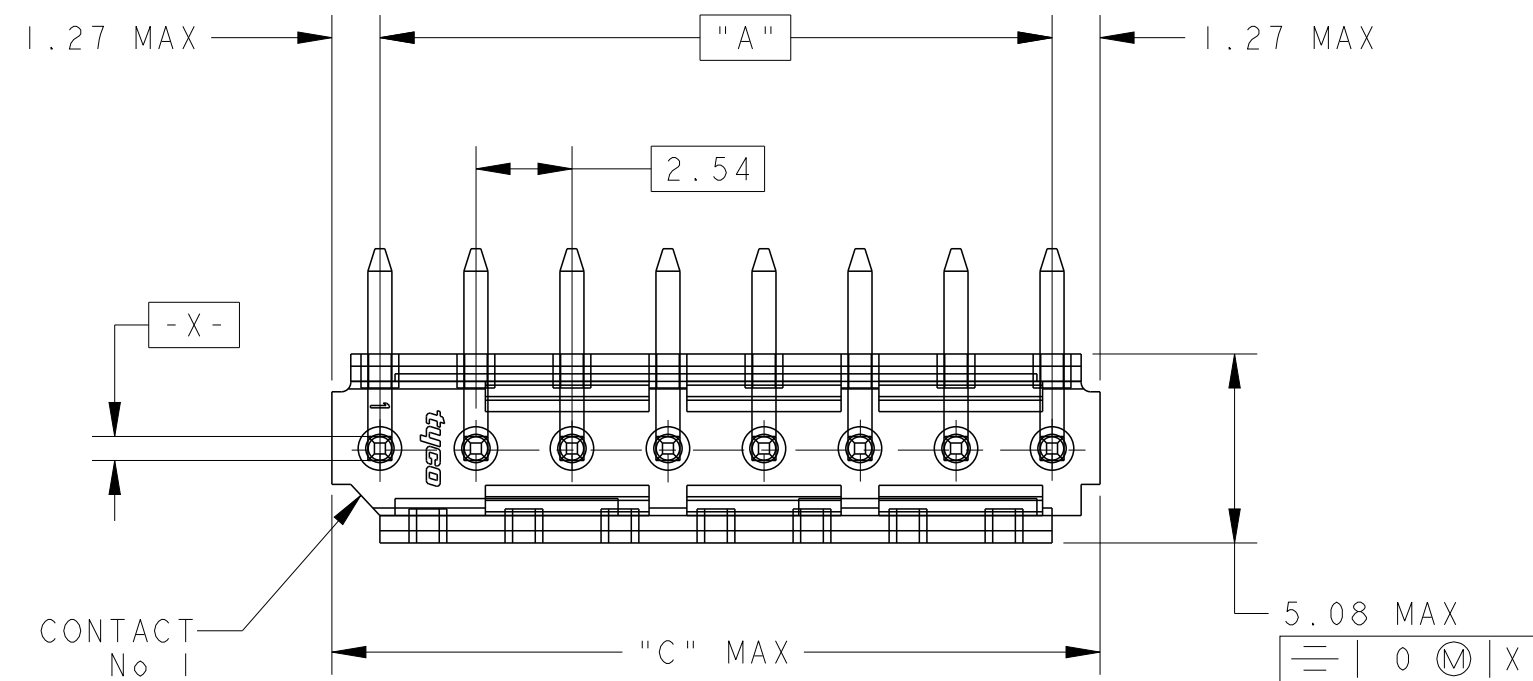


THIS DRAWING IS UNPUBLISHED.  
 DIFFUSION RESTREINTE  
 © COPYRIGHT 20 BY -  
 RELEASED FOR PUBLICATION  
 LIBRE A LA DIFFUSION  
 20  
 ALL RIGHTS RESERVED.  
 TOUS DROITS RESERVES

REVISIONS					
P	LTR	DESCRIPTION MODIFICATIONS	DATE	DWN DESS.	APVD APP.
	F2	PLATING NOTES CORRECTED	02AUG2016	KJK	PS



SCALE 6:1

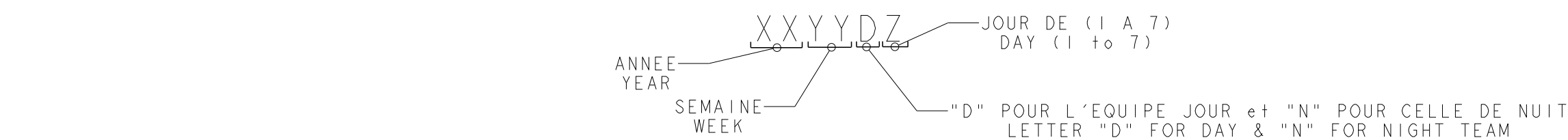


SCALE 3:1

NOTES:

1. THESE HEADERS ARE DESIGNED TO BE MATED WITH "HE1302" RECEPTACLES SINGLE ROW
2. THE PART NUMBERS FOLLOWED BY \* ARE COVERED BY THE INTERNATIONAL STANDARD IEC 603-8
3. CONTACTS PLATING: MATING AREA SELECTIVE GOLD MIN. 0.4µm OVER MIN. 1.27µm NICKEL  
SOLDER AREA MIN. 2.5µm TIN OVER MIN. 1.27µm NICKEL
4. PLASTIC MATERIAL: HIGH TEMPERATURE THERMOPLASTIC, UL-94V-0, BLUE COLOR  
CONTACT MATERIAL: PHOSPHOR BRONZE
5. TYPE MARKING (HE1302) WITH BLACK INK
6. DATE CODE MARKING WITH BLACK INK

7 OBSOLETE	45.72	43.18	18	1-281699-8 *
	43.18	40.64	17	1-281699-7
	38.10	35.56	15	1-281699-5 *
	30.48	27.94	12	1-281699-2 *
	25.40	22.86	10	1-281699-0 *
7 OBSOLETE	20.32	17.78	8	0-281699-8 *
	17.78	15.24	7	0-281699-7
	15.24	12.70	6	0-281699-6 *
	12.70	10.16	5	0-281699-5 *
	10.16	7.62	4	0-281699-4 *
	7.62	5.08	3	0-281699-3 *
	5.08	2.54	2	0-281699-2
	C	A	Nb DE POS	PART NUMBER
	DIMENSIONS			



7 OBSOLETE PARTS: OBSOLETE CIS STREAMLINING PER D.RENAUD/D.SINISI

THIS DRAWING IS A CONTROLLED DOCUMENT. CE PLAN EST UN DOCUMENT CONTROLE PAR AMP INCORPORATED. IL EST SUSCEPTIBLE D'ETRE REVISE. CONTACTER LE SERVICE TECHNIQUE D'AMP DE FRANCE POUR OBTENIR LA DERNIERE REVISION.		DWN/DESSINE 22NOV2000 C. COMBEDOUZON CHK/VERIFIE 22NOV2000 T. CORRIOU APVD/APPROUVE 22NOV2000 Y. PETRONIN		NAME TE Connectivity	
DIMENSIONS: mm		TOLERANCES UNLESS OTHERWISE SPECIFIED: TOLERANCES NON SPECIFIEES (SUIV NB DE DECIMALES) 0 PLC/DEC: ± 1 PLC/DEC: ±0.3 2 PLC/DEC: ± 3 PLC/DEC: ± 4 PLC/DEC: ± ANGLES ±5°		PRODUCT SPEC SPEC. PRODUIT 108-15053	
MATERIAL/MATIERE SEE/VOIR NOTE 4		FINISH/FINITION SEE/VOIR NOTE 3		APPLICATION SPEC SPEC. APPLICATION	
WEIGHT MASSE APPROX.		UNIQUEMENT POUR REFERENCE		SCALE ECHELLE 5:1	
CUSTOMER DRAWING /PLAN CLIENT		SHEET FEUILLE		OF DE	
		REV F2			

## X-ON Electronics

Largest Supplier of Electrical and Electronic Components

*Click to view similar products for [Headers & Wire Housings](#) category:*

*Click to view products by [TE Connectivity](#) manufacturer:*

Other Similar products are found below :

[892-18-020-10-001101](#) [58102-G61-06LF](#) [582553-1](#) [0009485154](#) [009176003701906](#) [0050291907](#) [LY20-4P-DT1-P1E-BR](#) [02.125.8002.8](#)  
[609-3404](#) [61062-3](#) [61082-181009](#) [622-3653LF](#) [63453-116](#) [636-1030](#) [636-1427](#) [636-3427](#) [636-4007](#) [641938-9](#) [641991-4](#) [644827-2](#) [65817-010LF](#) [65817-015LF](#) [65863-015LF](#) [66207-023LF](#) [67095-007LF](#) [67601157](#) [68645-018](#) [68648-049](#) [70.362.1628.0](#) [70-4210](#) [70-4226B](#) [70-4853B](#) [707-5020](#) [707-5028](#) [71.350.2428.0](#) [71918-208LF](#) [71961-016LF](#) [733-134](#) [733-162](#) [754199-000](#) [760-3052](#) [787-8014-00](#) [79531-3000](#)  
[FCN-360C032-B](#) [FCN-367T-T012/H](#) [FCN-723D010/2](#) [80.063.4001.1](#) [800-90-001-10-001000](#) [800-90-010-10-002000](#) [801-43-002-10-013000](#)