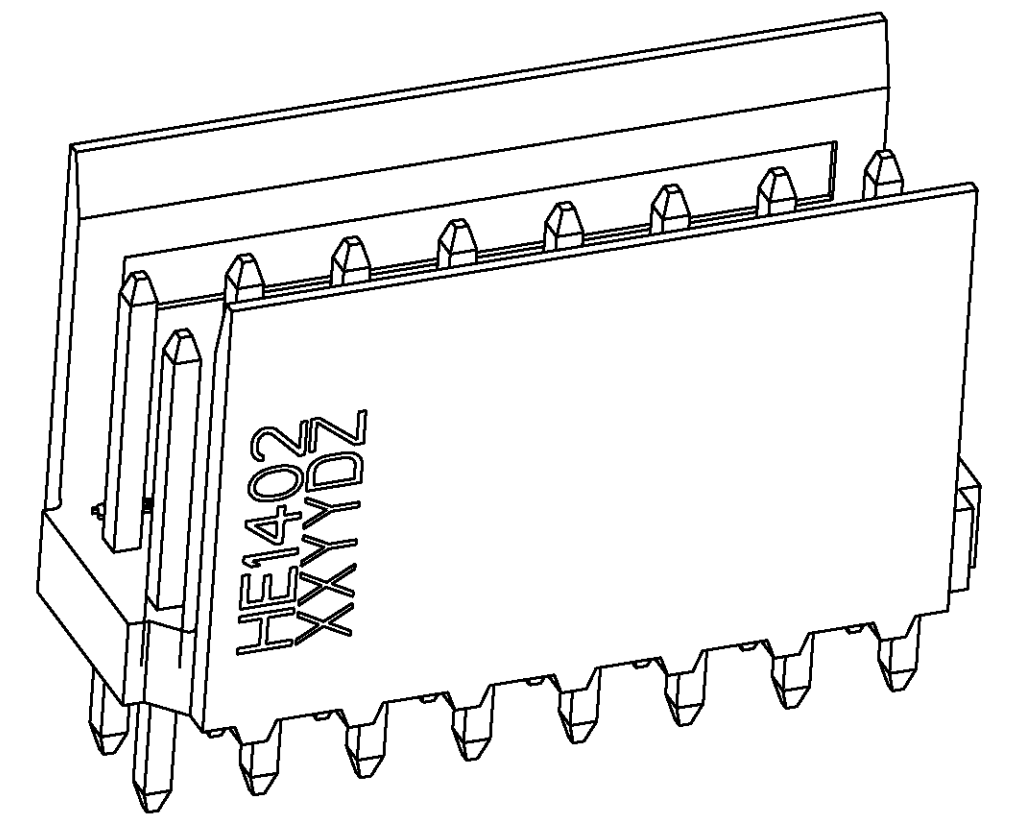
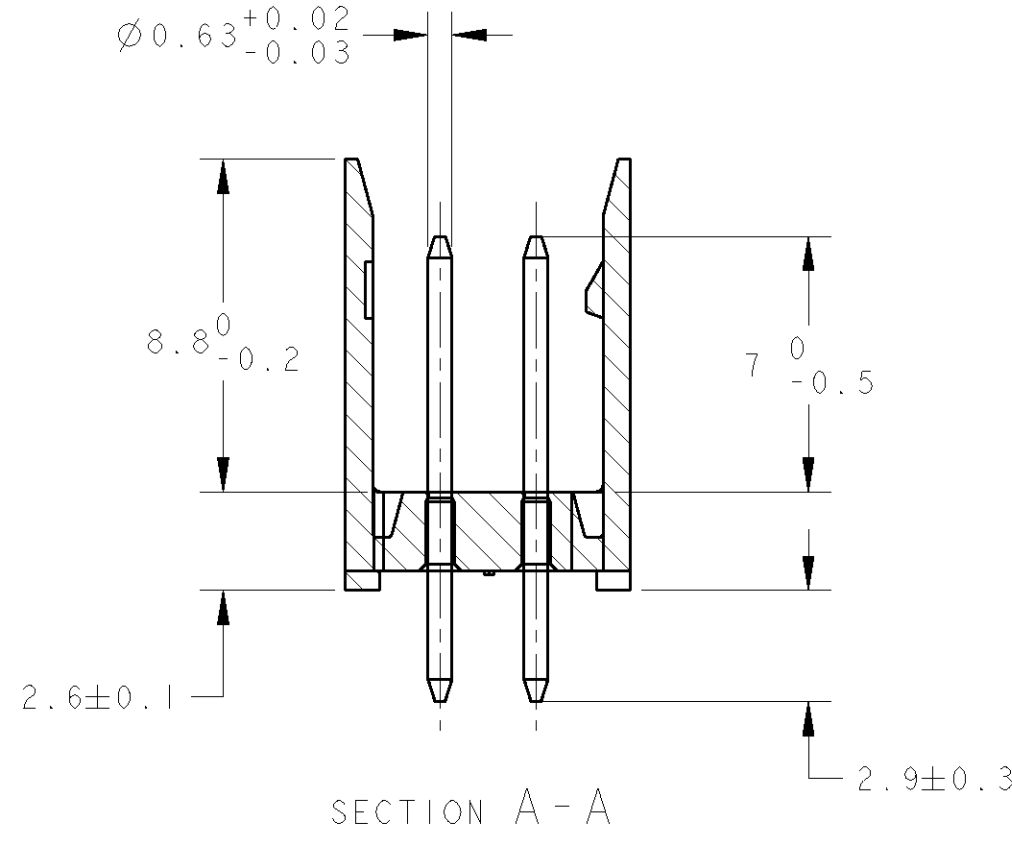
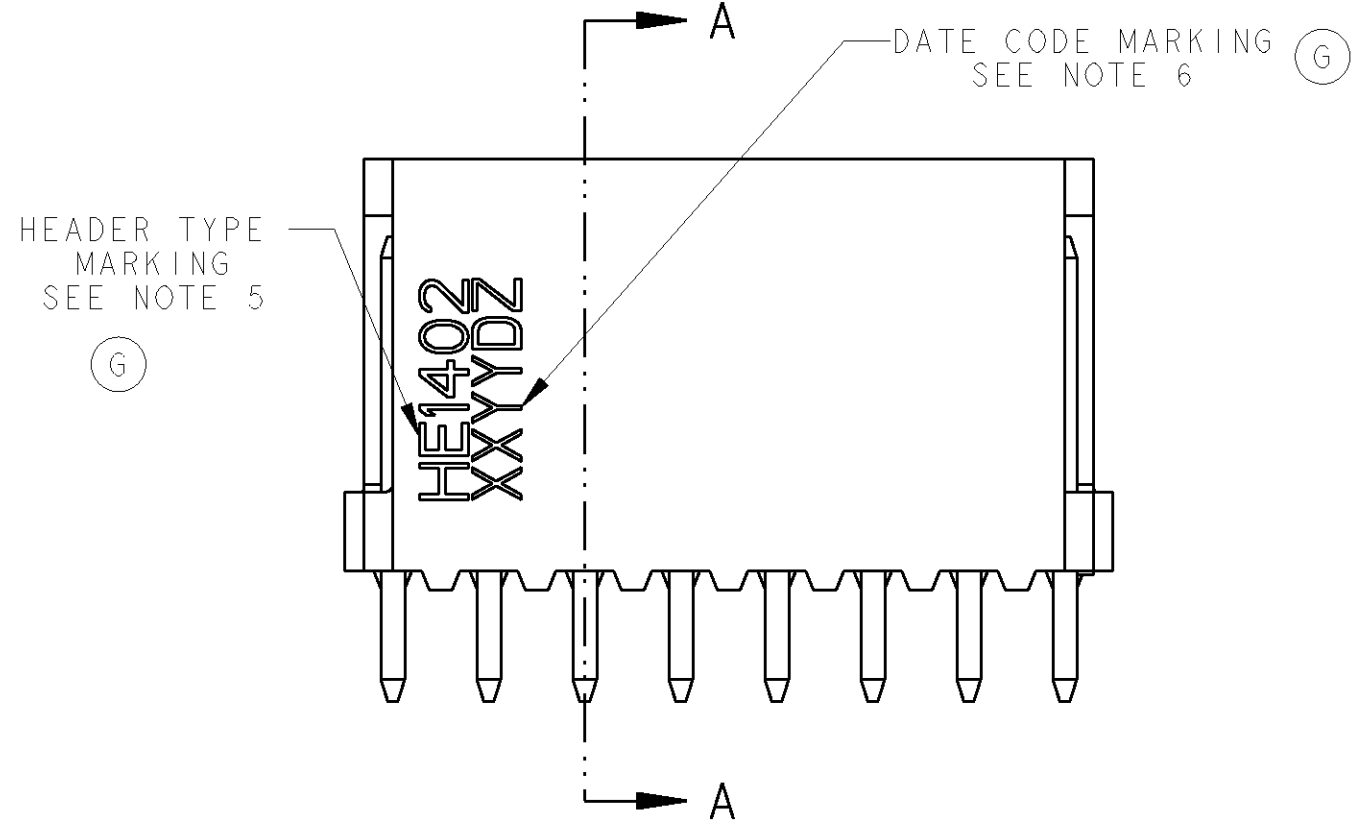


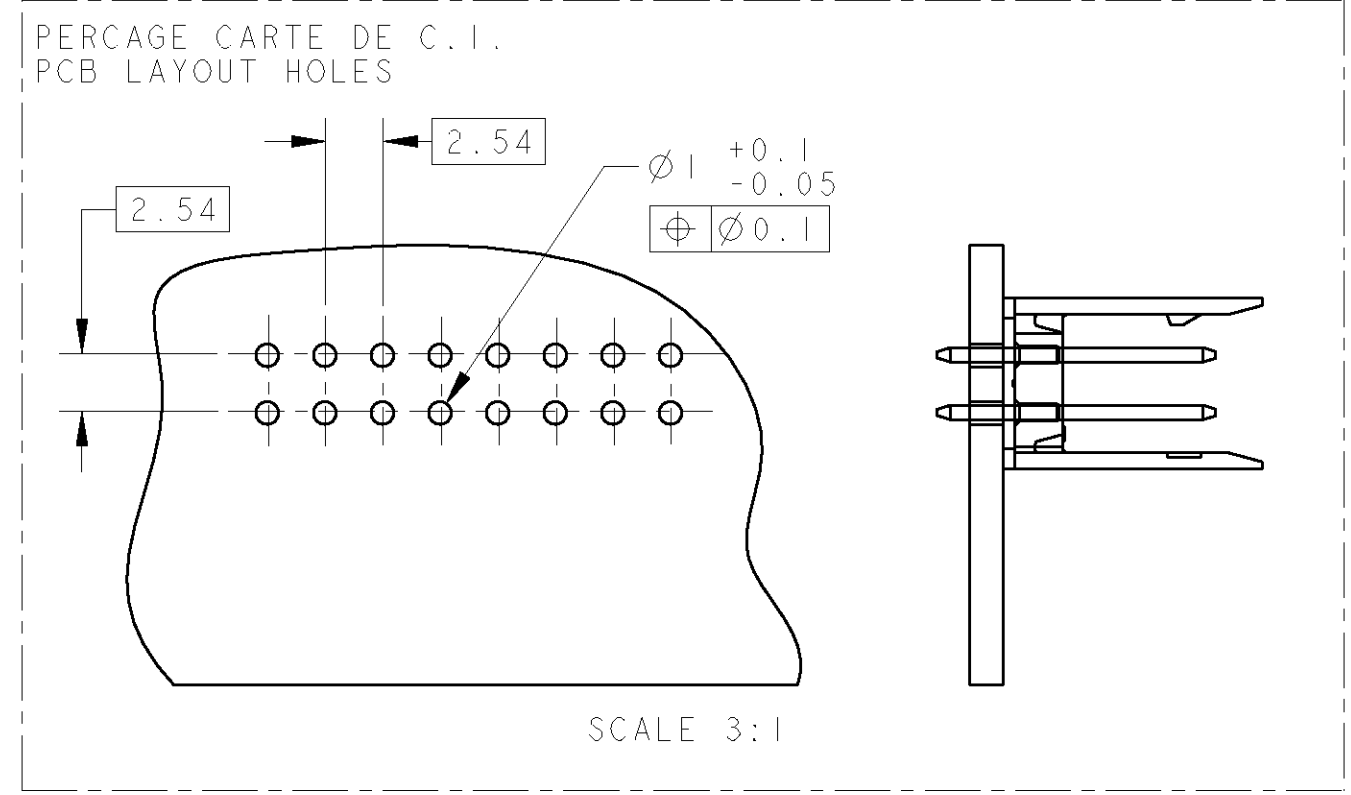
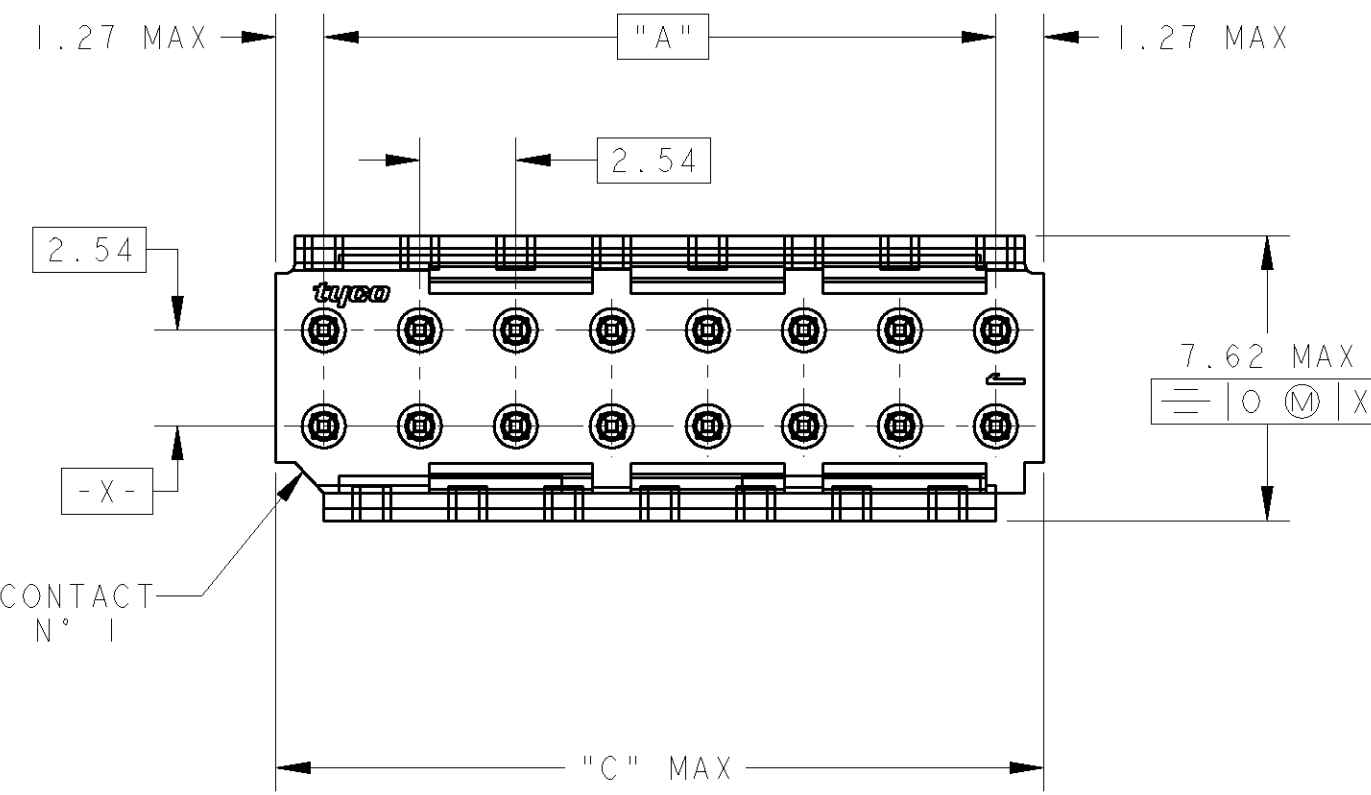
THIS DRAWING IS UNPUBLISHED.
 DIFFUSION RESTREINTE
 © COPYRIGHT

RELEASED FOR PUBLICATION
 LIBRE A LA DIFFUSION
 ALL RIGHTS RESERVED.
 TOUS DROITS RESERVES

LOC	DIST	REVISIONS					
F	7	P	LTR	DESCRIPTION MODIFICATIONS	DATE	DWN DESS.	APVD APP.
		G1		REVISED PER ECO-11-005150	19APR11	RK	HMR

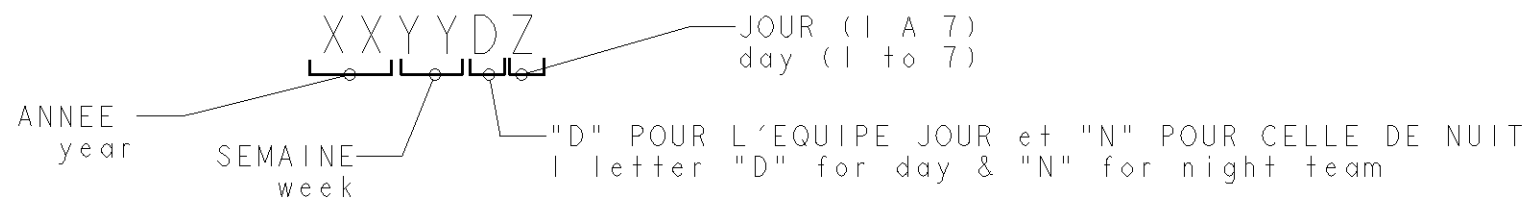


SCALE 6:1



SCALE 3:1

- NOTES:
- CES EMBASES SONT PREVUES POUR ETRE ACCOUPLEES AVEC LES FICHES "HE1402" DOUBLE RANGEE.
(These headers are designed to be mated with "HE1402" connectors double row)
 - LES REFERENCES SUIVIES D'UN * SONT LES VERSIONS NORMALISEES SELON LA NORME CEI 603-8
(The parts numbers followed by * are covered by the international standard IEC 603-8)
 - RETEVEMENT DES CONTACTS: ETAIN PUR SUR NICKEL
(Contacts plating: lead free tin over nickel)
 - MATIERE PLASTIQUE: THERMO-PLASTIQUE HAUTE TEMPERATURE, UL-94V0, COULEUR BLEUE
(Plastic material: High temperature thermoplastic, UL-94V0, Blue color)
MATIERE DES CONTACTS: BRONZE PHOSPHOREUX
(Contacts material: phosphor bronze)
 - MARQUAGE DU TYPE D'EMBASE (HE1402) A L'ENCRE NOIRE
(header type marking (HE1402) with black ink)
 - MARQUAGE DE LA DATE A L'ENCRE NOIRE :
(date code marking with black ink) :



50.80	48.26	2x 20	2-281739-0
45.72	43.18	2x 18	1-281739-8 *
43.18	40.64	2x 17	1-281739-7
38.10	35.56	2x 15	1-281739-5 *
33.02	30.48	2x 13	1-281739-3
30.48	27.94	2x 12	1-281739-2 *
25.40	22.86	2x 10	1-281739-0 *
20.32	17.78	2x 8	0-281739-8 *
15.24	12.70	2x 6	0-281739-6 *
12.70	10.16	2x 5	0-281739-5 *
10.16	7.62	2x 4	0-281739-4 *
7.62	5.08	2x 3	0-281739-3 *
5.08	2.54	2x 2	0-281739-2
C	A	Nb DE POS	PART NUMBER
DIMENSIONS			DIM "D" = 2.9

DIMENSIONS:		TOLERANCES UNLESS OTHERWISE SPECIFIED: (SUIV NB DE DECIMALES)		DWN/DESSINE 22NOV2000 C. COMBEDOUZON		TE Connectivity HEADERS HE14, DOUBLE ROW, STRAIGHT	
mm		0 PLC/DEC: ±	1 PLC/DEC: ±0.3	CHK/VERIFIE 22NOV2000 I. CORRIOLU	APVD/APROUVE 22NOV2000 Y. PETRONIN		
MATERIAL/MATIERE		FINISH/FINITION		PRODUCT SPEC SPEC. PRODUIT 108-15053		SIZE FORMAT A2	
TABLE				APPLICATION SPEC SPEC. APPLICATION		DRAWING NO No PLAN C-281739	
				WEIGHT MASSE APPROX.		CAGE CODE 00779	
				CUSTOMER DRAWING /PLAN CLIENT		UNIQUEMENT POUR REFERENCE	
				SCALE Echelle 5:1		SHEET OF FEUILLE DE	
						REV G1	

X-ON Electronics

Largest Supplier of Electrical and Electronic Components

Click to view similar products for [Headers & Wire Housings](#) category:

Click to view products by [TE Connectivity](#) manufacturer:

Other Similar products are found below :

[892-18-020-10-001101](#) [58102-G61-06LF](#) [582553-1](#) [0009485154](#) [009176003701906](#) [0050291907](#) [LY20-4P-DT1-P1E-BR](#) [02.125.8002.8](#)
[609-3404](#) [61062-3](#) [61082-181009](#) [622-3653LF](#) [63453-116](#) [636-1030](#) [636-1427](#) [636-3427](#) [636-4007](#) [641938-9](#) [641991-4](#) [644827-2](#) [65817-](#)
[010LF](#) [65817-015LF](#) [65863-015LF](#) [66207-023LF](#) [67095-007LF](#) [67601157](#) [68645-018](#) [68648-049](#) [70.362.1628.0](#) [70-4210](#) [70-4226B](#) [70-](#)
[4853B](#) [707-5020](#) [707-5028](#) [71.350.2428.0](#) [71918-208LF](#) [71961-016LF](#) [733-134](#) [733-162](#) [754199-000](#) [760-3052](#) [79531-3000](#) [FCN-](#)
[360C032-B](#) [FCN-367T-T012/H](#) [FCN-723D010/2](#) [80.063.4001.1](#) [800-90-010-10-002000](#) [801-43-002-10-013000](#) [801-43-006-10-002000](#)
[801-93-011-10-001000](#)