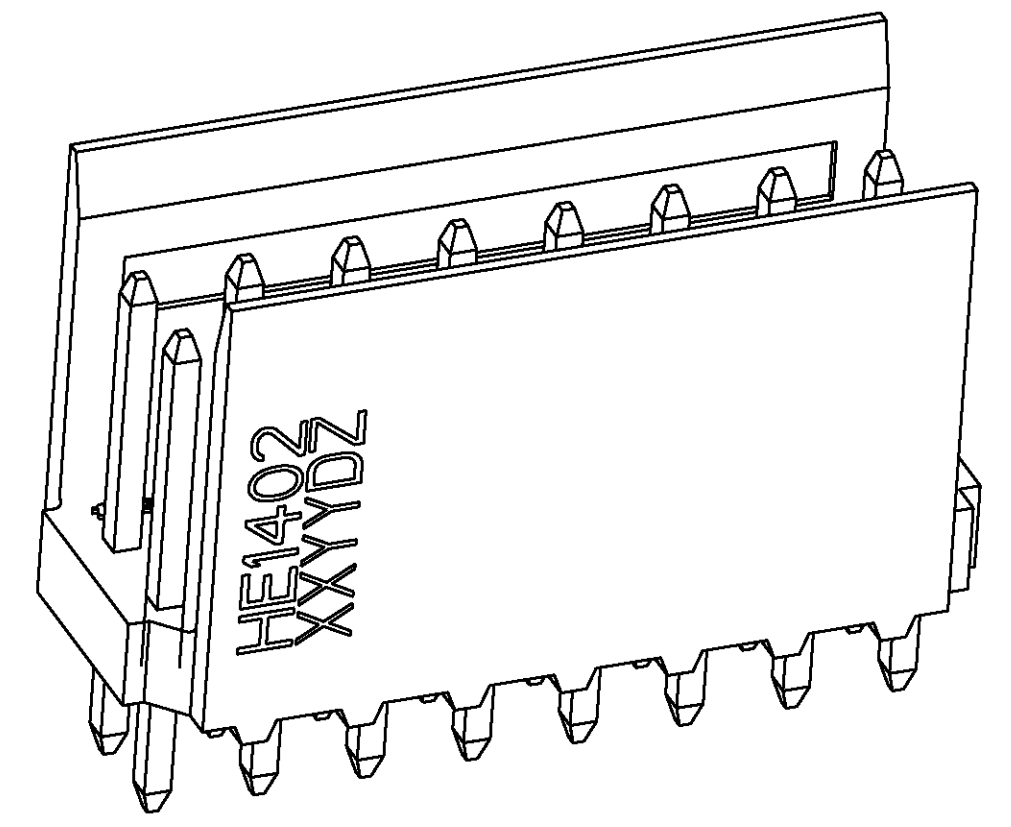
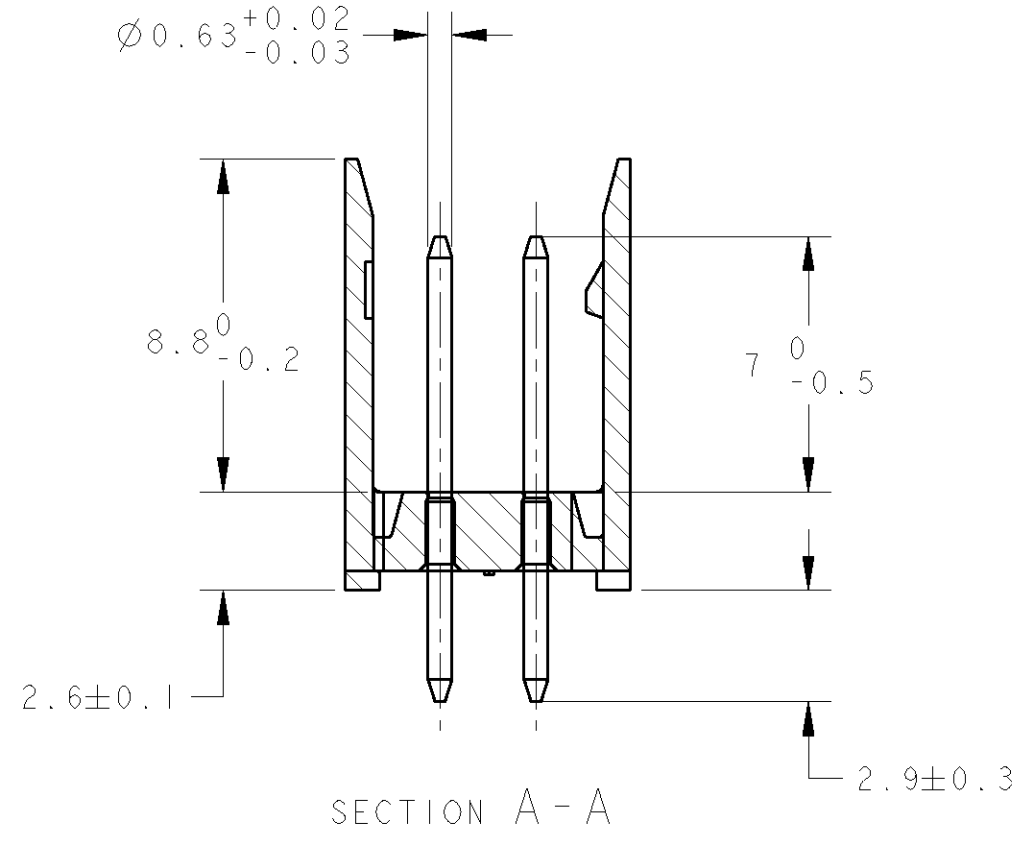
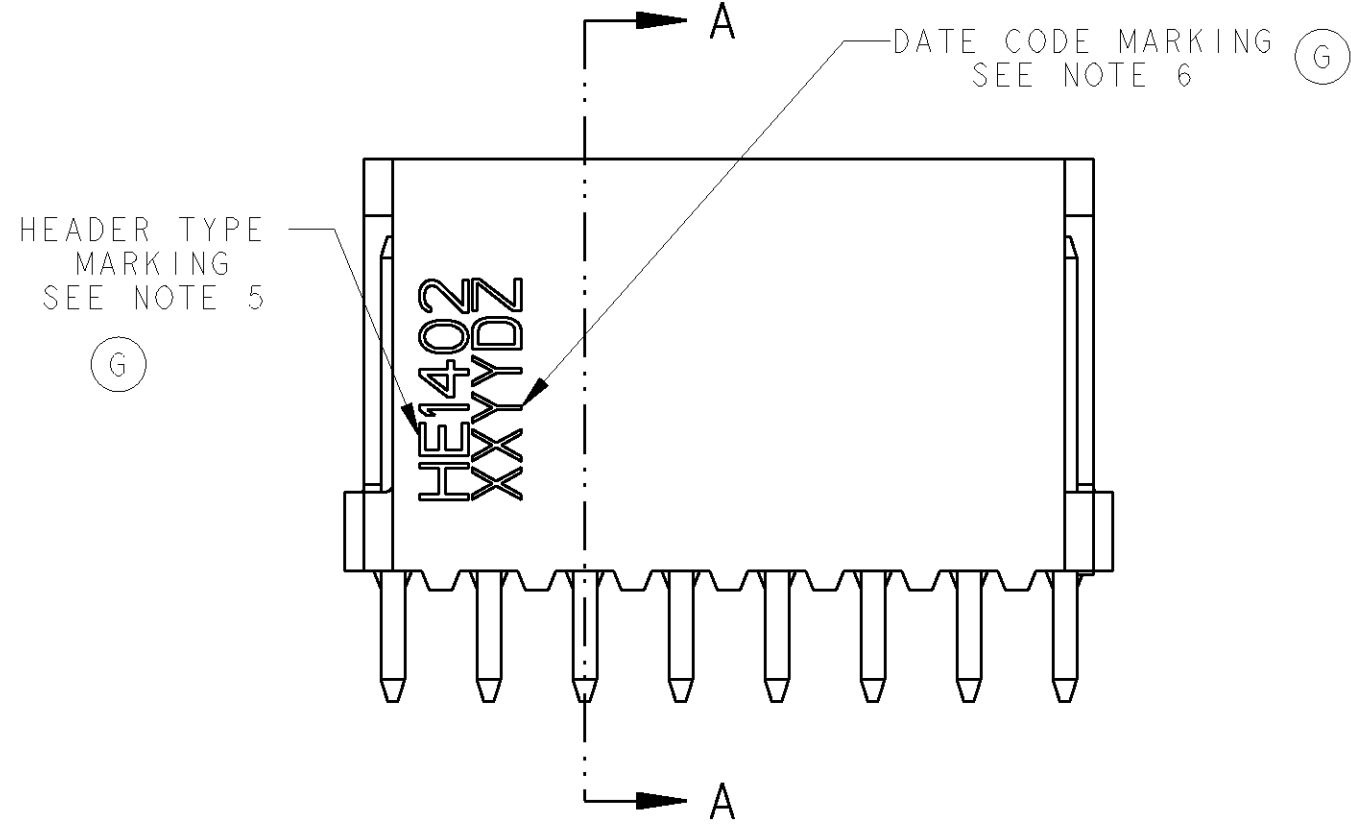


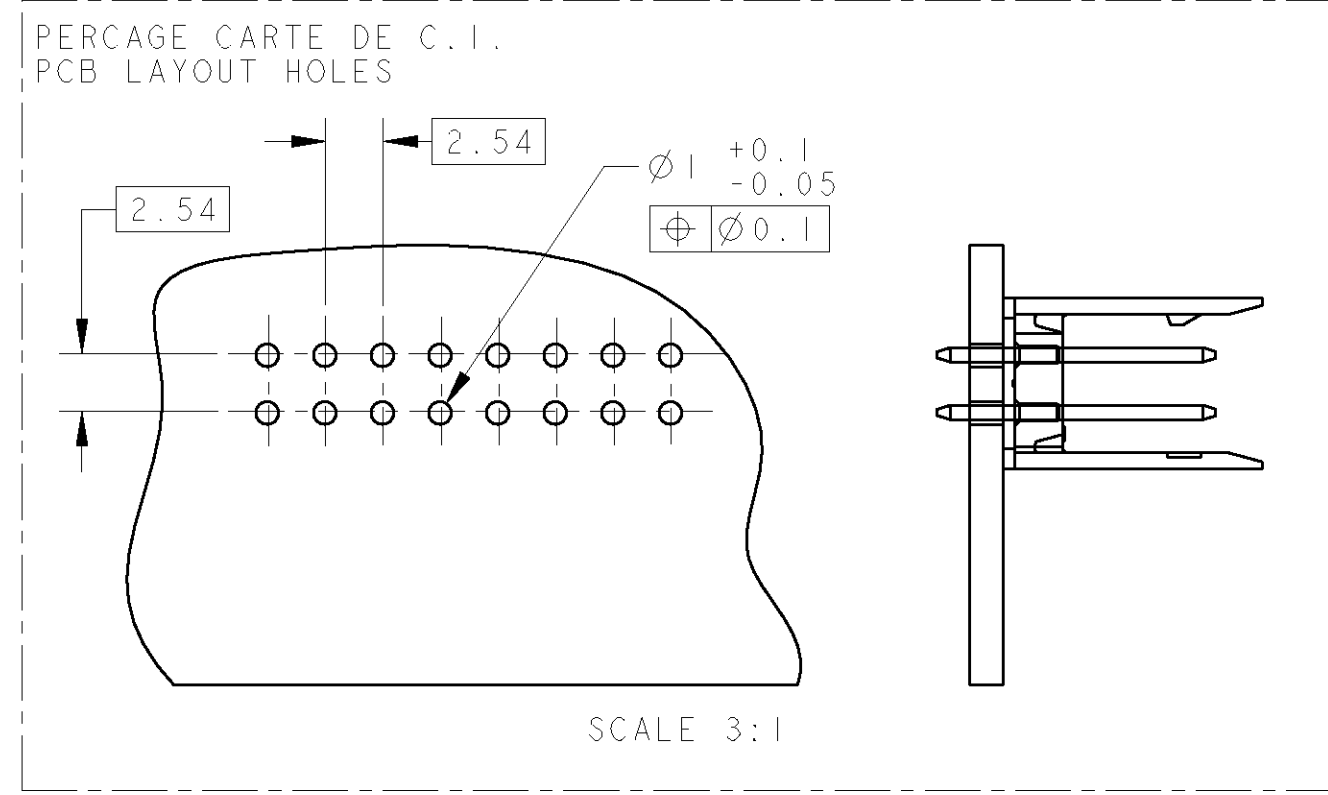
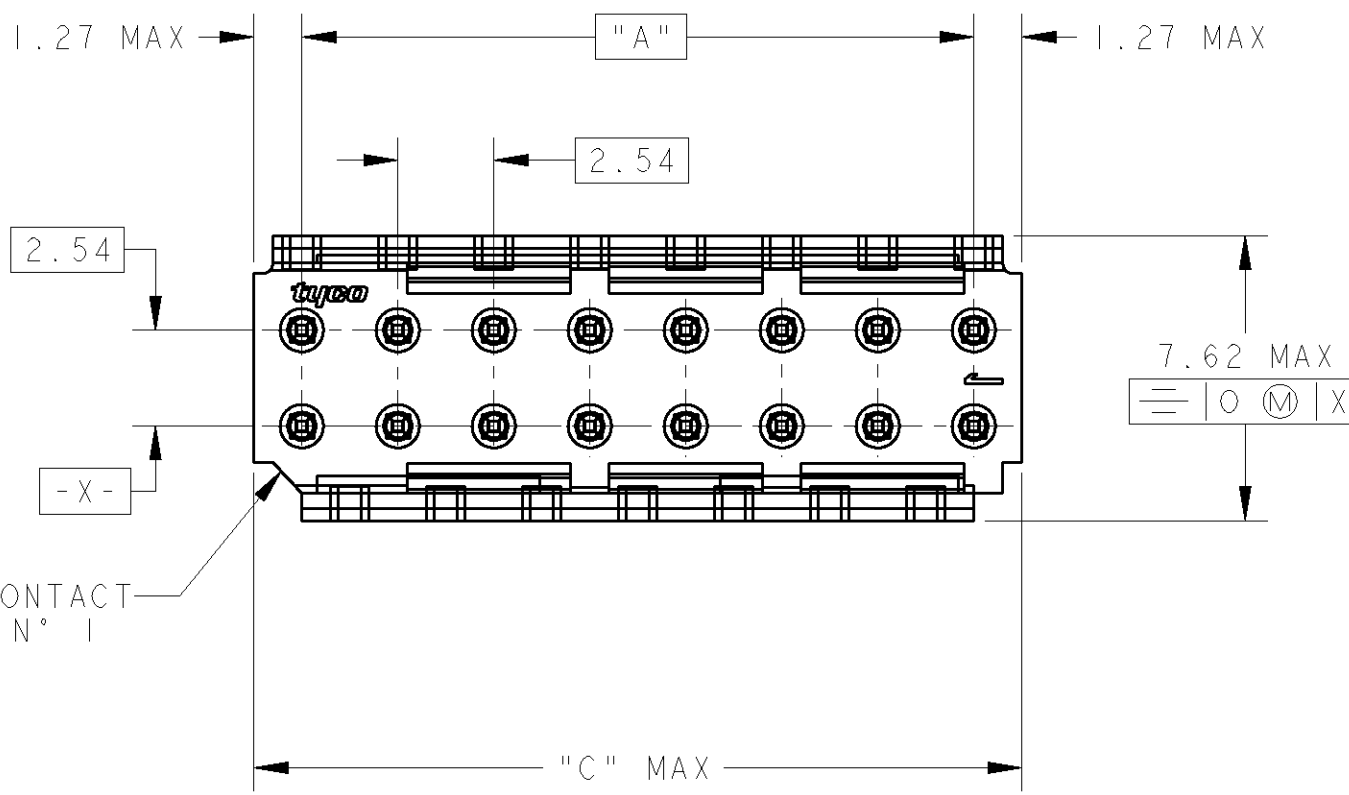
THIS DRAWING IS UNPUBLISHED.  
 DIFFUSION RESTREINTE  
 (C) COPYRIGHT

RELEASED FOR PUBLICATION  
 LIBRE A LA DIFFUSION  
 ALL RIGHTS RESERVED.  
 TOUS DROITS RESERVES

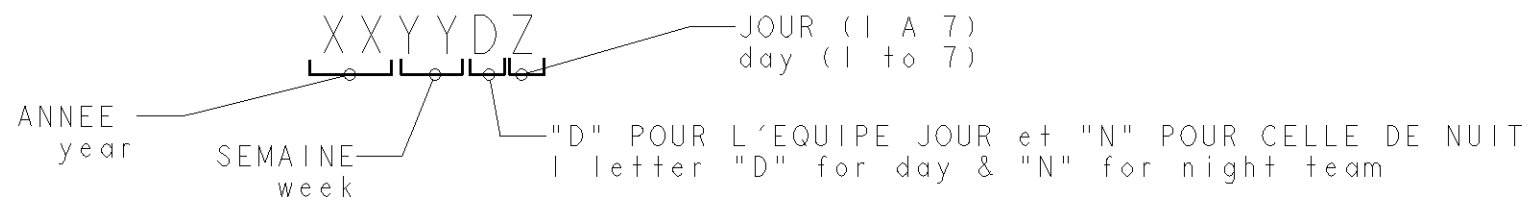
|     |      |           |     |                              |         |              |              |
|-----|------|-----------|-----|------------------------------|---------|--------------|--------------|
| LOC | DIST | REVISIONS |     |                              |         |              |              |
| F   | 7    | P         | LTR | DESCRIPTION<br>MODIFICATIONS | DATE    | DWN<br>DESS. | APVD<br>APP. |
|     |      | G1        |     | REVISED PER ECO-11-005150    | 19APR11 | RK           | HMR          |



SCALE 6:1



- NOTES:
- CES EMBASES SONT PREVUES POUR ETRE ACCOUPLEES AVEC LES FICHES "HEI402" DOUBLE RANGEE.  
(These headers are designed to be mated with "HEI402" connectors double row)
  - LES REFERENCES SUIVIES D'UN \* SONT LES VERSIONS NORMALISEES SELON LA NORME CEI 603-8  
(The parts numbers followed by \* are covered by the international standard IEC 603-8)
  - RETEVEMENT DES CONTACTS: ETAIN PUR SUR NICKEL  
(Contacts plating: lead free tin over nickel)
  - MATIERE PLASTIQUE: THERMO-PLASTIQUE HAUTE TEMPERATURE, UL-94V0, COULEUR BLEUE  
(Plastic material: High temperature thermoplastic, UL-94V0, Blue color)  
MATIERE DES CONTACTS: BRONZE PHOSPHOREUX  
(Contacts material: phosphor bronze)
  - MARQUAGE DU TYPE D'EMBASE (HEI402) A L'ENCRE NOIRE  
(header type marking (HEI402) with black ink)
  - MARQUAGE DE LA DATE A L'ENCRE NOIRE :  
(date code marking with black ink) :



|            |       |           |               |
|------------|-------|-----------|---------------|
| 50.80      | 48.26 | 2x 20     | 2-281739-0    |
| 45.72      | 43.18 | 2x 18     | 1-281739-8 *  |
| 43.18      | 40.64 | 2x 17     | 1-281739-7    |
| 38.10      | 35.56 | 2x 15     | 1-281739-5 *  |
| 33.02      | 30.48 | 2x 13     | 1-281739-3    |
| 30.48      | 27.94 | 2x 12     | 1-281739-2 *  |
| 25.40      | 22.86 | 2x 10     | 1-281739-0 *  |
| 20.32      | 17.78 | 2x 8      | 0-281739-8 *  |
| 15.24      | 12.70 | 2x 6      | 0-281739-6 *  |
| 12.70      | 10.16 | 2x 5      | 0-281739-5 *  |
| 10.16      | 7.62  | 2x 4      | 0-281739-4 *  |
| 7.62       | 5.08  | 2x 3      | 0-281739-3 *  |
| 5.08       | 2.54  | 2x 2      | 0-281739-2    |
| C          | A     | Nb DE POS | PART NUMBER   |
| DIMENSIONS |       |           | DIM "D" = 2.9 |

|                  |  |   |                 |  |                                       |  |  |
|------------------|--|---|-----------------|--|---------------------------------------|--|--|
| DIMENSIONS:      |  | TOLERANCES UNLESS OTHERWISE SPECIFIED: (SUIV NB DE DECIMALES) |                 | DWN/DESSINE 22NOV2000<br>C. COMBEDOUZON    |                                       | TE Connectivity<br>HEADERS HEI4,<br>DOUBLE ROW, STRAIGHT |  |
| mm               |  | 0 PLC/DEC: ±  | 1 PLC/DEC: ±0.3 | CHK/VERIFIE 22NOV2000<br>I. CORRIOLU       | APVD/APROUVE 22NOV2000<br>Y. PETRONIN |  |  |
| MATERIAL/MATIERE |  | FINISH/FINITION   |                 | PRODUCT SPEC<br>SPEC. PRODUIT<br>108-15053 |                                       | SIZE<br>FORMAT   |  |
| TABLE            |  |   |                 | APPLICATION SPEC<br>SPEC. APPLICATION      |                                       | DRAWING NO<br>No PLAN                                    |  |
|                  |  |   |                 | WEIGHT<br>MASSE APPROX.                    |                                       | CAGE CODE  |  |
|                  |  |   |                 | CUSTOMER DRAWING /PLAN CLIENT              |                                       | 00779  |  |
|                  |  |   |                 | UNIQUEMENT<br>POUR REFERENCE               |                                       | DRAWING NO<br>No PLAN                                    |  |
|                  |  |   |                 | SCALE<br>ECHELLE 5:1                       |                                       | SHEET<br>FEUILLE   |  |
|                  |  |   |                 |  |                                       | OF<br>DE   |  |
|                  |  |   |                 |  |                                       | REV<br>G1  |  |

## X-ON Electronics

Largest Supplier of Electrical and Electronic Components

*Click to view similar products for [Headers & Wire Housings](#) category:*

*Click to view products by [TE Connectivity](#) manufacturer:*

Other Similar products are found below :

[892-18-020-10-001101](#) [58102-G61-06LF](#) [582553-1](#) [0009485154](#) [009176003701906](#) [0050291907](#) [LY20-4P-DT1-P1E-BR](#) [02.125.8002.8](#)  
[609-3404](#) [61062-3](#) [61082-181009](#) [622-3653LF](#) [63453-116](#) [636-1030](#) [636-1427](#) [636-3427](#) [636-4007](#) [641938-9](#) [641991-4](#) [644827-2](#) [65817-010LF](#) [65817-015LF](#) [65863-015LF](#) [66207-023LF](#) [67095-007LF](#) [67601157](#) [68645-018](#) [68648-049](#) [70.362.1628.0](#) [70-4210](#) [70-4226B](#) [70-4853B](#) [707-5020](#) [707-5028](#) [71.350.2428.0](#) [71918-208LF](#) [71961-016LF](#) [733-134](#) [733-162](#) [754199-000](#) [760-3052](#) [787-8014-00](#) [79531-3000](#)  
[FCN-360C032-B](#) [FCN-367T-T012/H](#) [FCN-723D010/2](#) [80.063.4001.1](#) [800-90-001-10-001000](#) [800-90-010-10-002000](#) [801-43-002-10-013000](#)