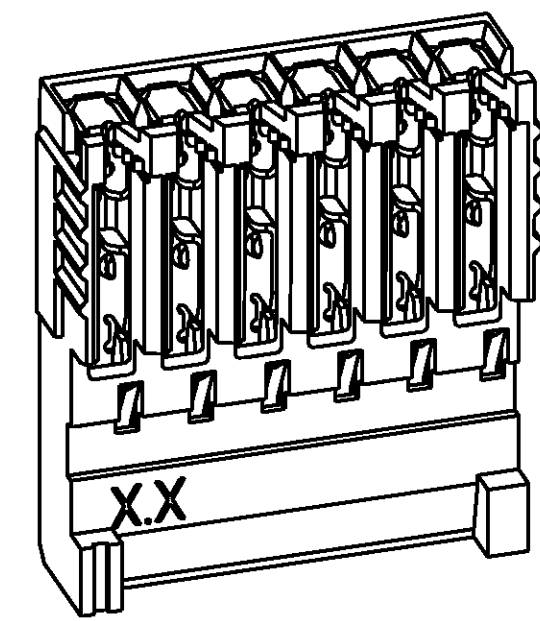
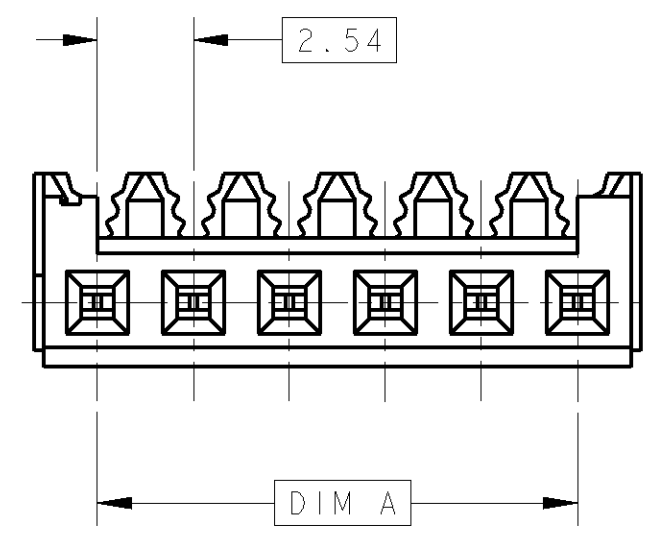


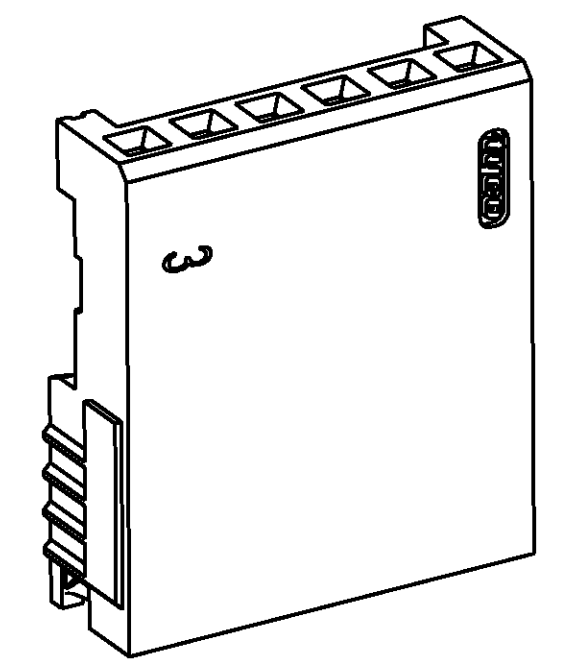
THIS DRAWING IS UNPUBLISHED. DIFFUSION RESTREINTE  
 RELEASED FOR PUBLICATION LIBRE A LA DIFFUSION  
 ALL RIGHTS RESERVED. TOUS DROITS RESERVES

FILS ADMISSIBLES (ACCEPTABLES WIRES)	
JAUGE (AWG) SECTION / 7 BRINS (7 STRANDS)	26-24 0.12-0.22mm <sup>2</sup>
ISOLANT: Ø MAX / MATIERE (INSUL.: Ø MAX / MAT'L)	Ø 1.2 / PVC

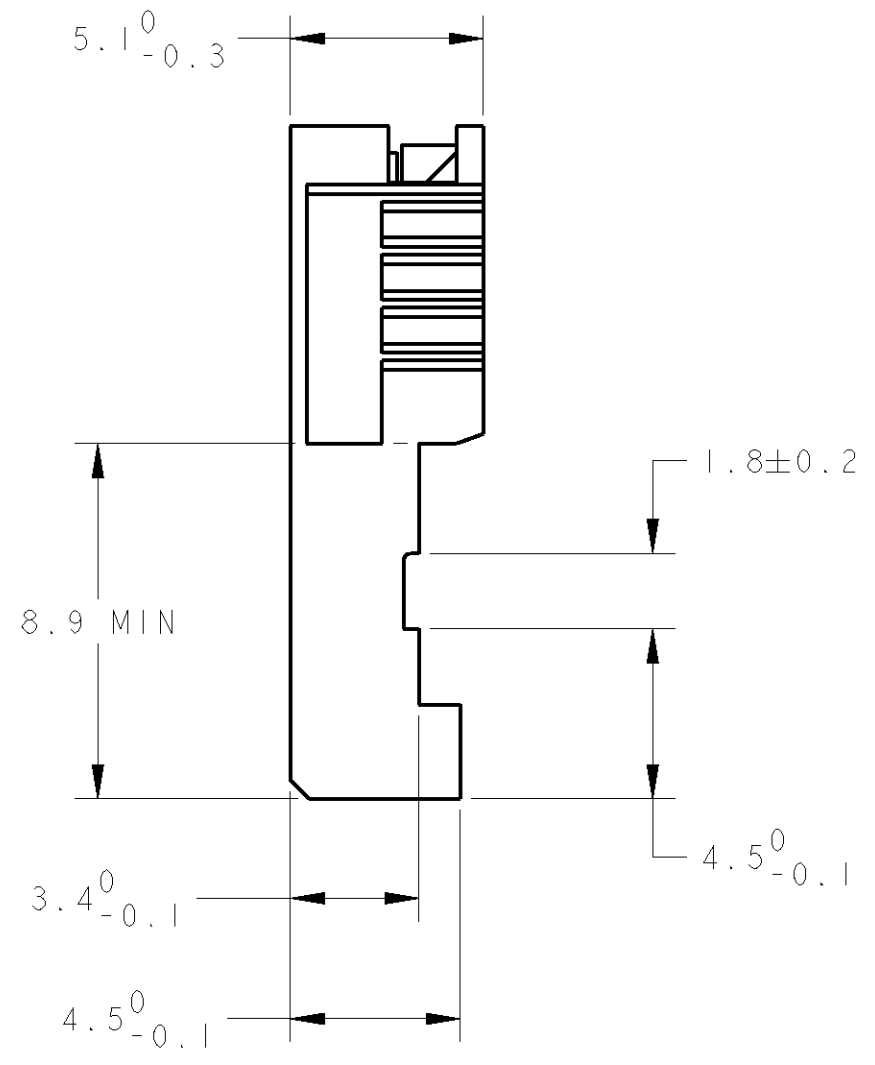
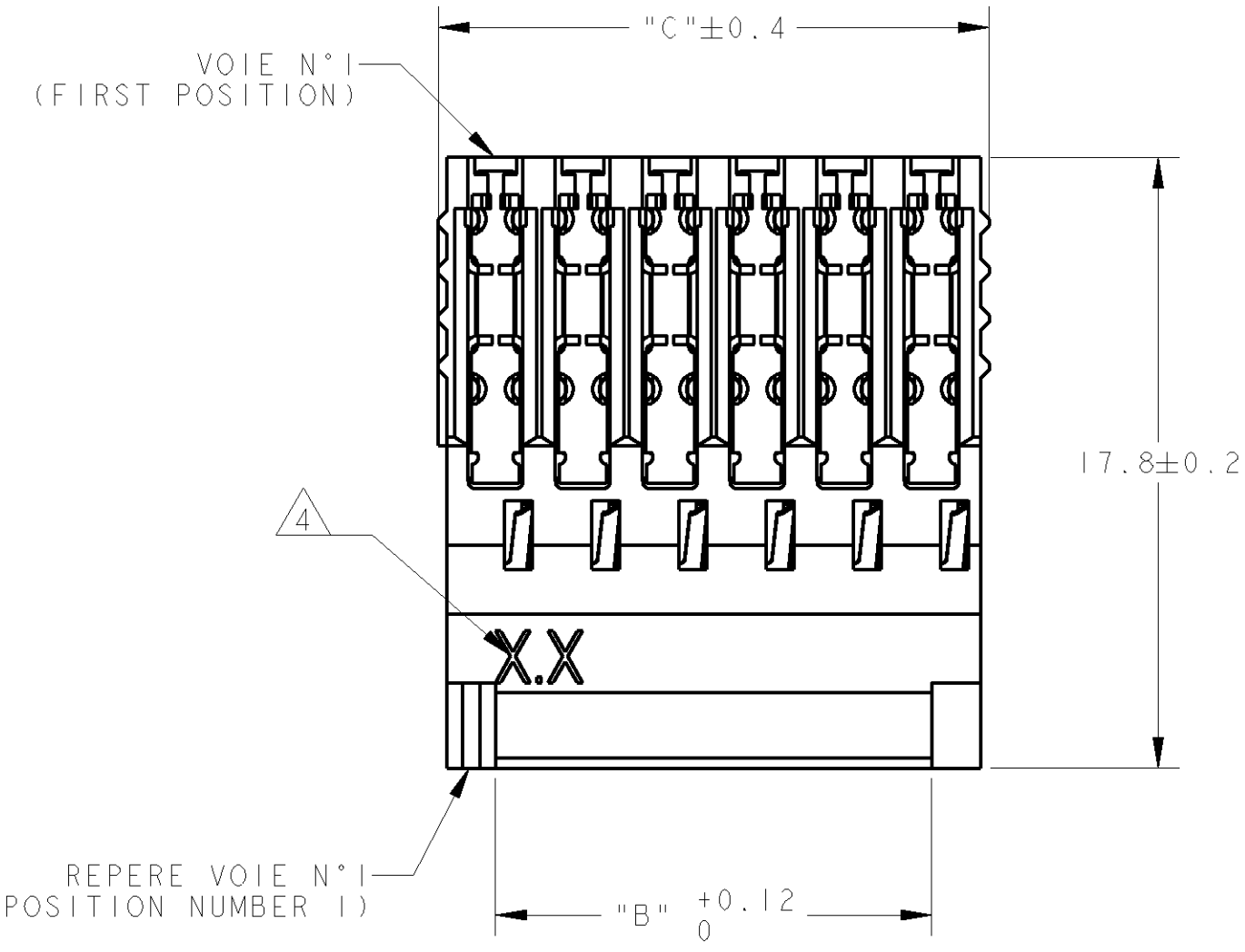
LOC F	DIST 7	REVISIONS			
P	LTR	DESCRIPTION MODIFICATIONS	DATE	DWN DESS.	APVD APP.
	D1	REVISED PER ECO-11-005150	27APR11	RK	HMR



ECHELLE 4:1  
SCALE



ECHELLE 4:1  
SCALE



- 1 CES CONNECTEURS SONT PREVUS POUR ETRE ACCOUPLES AVEC LES EMBASES 'HE1402' SIMPLE RANGEE
- 2 LES REFERENCES SUIVIES D'UN ' \* ' SONT LES VERSIONS NORMALISEES SELON LA 'CEI 603-8'
- 3 REVETEMENT DES CONTACTS: ETAME
- 4 "X.X" EST REMPLACE PAR LES DEUX DEUXIEME CHIFFRES DU COUPLE DES JAUGES AWG
- 5 MATIERES - BOITIER: PBT UL94V0  
- CONTACTS: BRONZE PHOSPHOREUX.

- (THESE CONNECTEURS ARE DESIGNED TO BE MATED WITH 'HE1402' HEADERS SINGLE ROW)
- (THE PART-NO FOLLOWED BY ' \* ' ARE COVERED BY THE INTERNATIONAL STANDARD 'IEC603-8')
- (CONTACTS PLATING: TIN)
- ("X.X" REPLACED BY THE TWO SECOND DIGIT OF AWG RANGE AS DEFINED IN TABLE)
- (MATERIAL - HOUSING : PBT UL94V0  
- CONTACTS: PHOSPHOR BRONZE)

46.52	43.18	18	1-281783-8	*
38.90	35.56	15	1-281783-5	*
31.28	27.94	12	1-281783-2	*
26.20	22.86	10	1-281783-0	*
21.12	17.78	8	0-281783-8	*
16.04	12.70	6	0-281783-6	*
13.50	10.16	5	0-281783-5	*
10.96	7.62	4	0-281783-4	*
8.42	5.08	3	0-281783-3	*
5.88	2.54	2	0-281783-2	*
C	A, B	Nb DE POS	REFERENCES (PART No)	
DIMENSIONS				

DWN/DESSINE 29NOV2000 C. COMBEDOUZON		TE Connectivity	
CHK/VERIFIE 29NOV2000 T. CORRIOU		NAME TITRE HE 1402 PLUG, 180 deg IDC SINGLE ROW	
APVD/APPROUVE 29NOV2000 Y. PETRONIN		SIZE FORMAT A2	
PRODUCT SPEC SPEX, PRODUIT 108-15053		CAGE CODE 00779	
APPLICATION SPEC SPEX, APPLICATION 114-15031		DRAWING NO No PLAN C-281783	
WEIGHT MASSE APPROX. -		UNIFORMITY POUR REFERENCE	
MATERIAL/MATIERE 5		SCALE ECHELLE 5:1	
FINISH/FINITION 3		SHEET FEUILLE OF DE	
CUSTOMER DRAWING /PLAN CLIENT		REV D1	

## X-ON Electronics

Largest Supplier of Electrical and Electronic Components

*Click to view similar products for [Headers & Wire Housings](#) category:*

*Click to view products by [TE Connectivity](#) manufacturer:*

Other Similar products are found below :

[892-18-020-10-001101](#) [58102-G61-06LF](#) [582553-1](#) [0009485154](#) [009176003701906](#) [0050291907](#) [LY20-4P-DT1-P1E-BR](#) [02.125.8002.8](#)  
[609-3404](#) [61062-3](#) [61082-181009](#) [622-3653LF](#) [63453-116](#) [636-1030](#) [636-1427](#) [636-3427](#) [636-4007](#) [641938-9](#) [641991-4](#) [644827-2](#) [65817-010LF](#) [65817-015LF](#) [65863-015LF](#) [66207-023LF](#) [67095-007LF](#) [67601157](#) [68645-018](#) [68648-049](#) [70.362.1628.0](#) [70-4210](#) [70-4226B](#) [70-4853B](#) [707-5020](#) [707-5028](#) [71.350.2428.0](#) [71918-208LF](#) [71961-016LF](#) [733-134](#) [733-162](#) [754199-000](#) [760-3052](#) [787-8014-00](#) [79531-3000](#)  
[FCN-360C032-B](#) [FCN-367T-T012/H](#) [FCN-723D010/2](#) [80.063.4001.1](#) [800-90-001-10-001000](#) [800-90-010-10-002000](#) [801-43-002-10-013000](#)