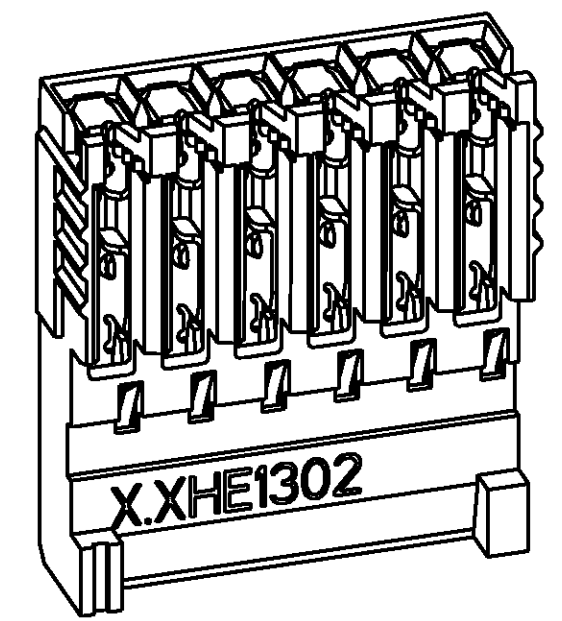
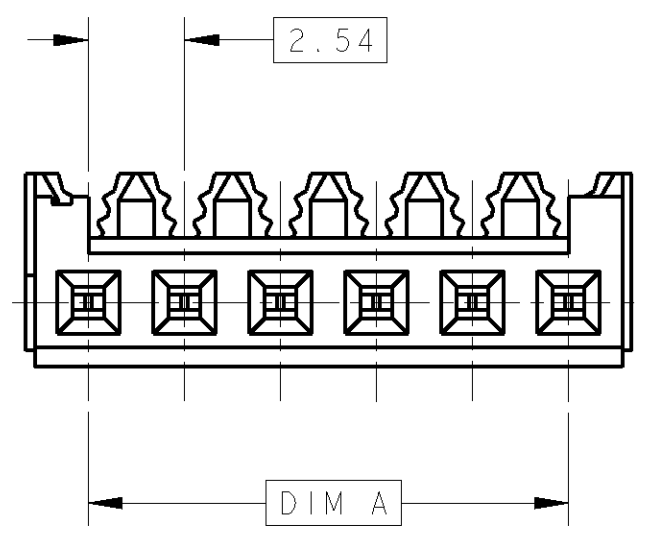


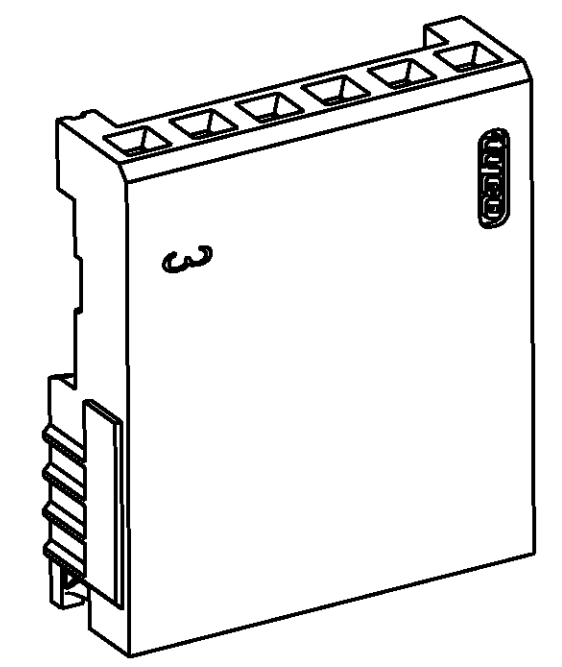
THIS DRAWING IS UNPUBLISHED. / RELEASED FOR PUBLICATION
 DIFFUSION RESTREINTE / LIBRE A LA DIFFUSION
 © COPYRIGHT 20 BY TYCO ELECTRONICS CORPORATION. ALL RIGHTS RESERVED. / TOUS DROITS RESERVES

FILS ADMISSIBLES (ACCEPTABLES WIRES)	
JAUGE (AWG) SECTION / 7 BRINS (7 STRANDS)	26-24 0.12-0.22mm ²
ISOLANT: Ø MAX / MATIERE (INSUL.: Ø MAX / MAT'L)	Ø 1.2 / PVC

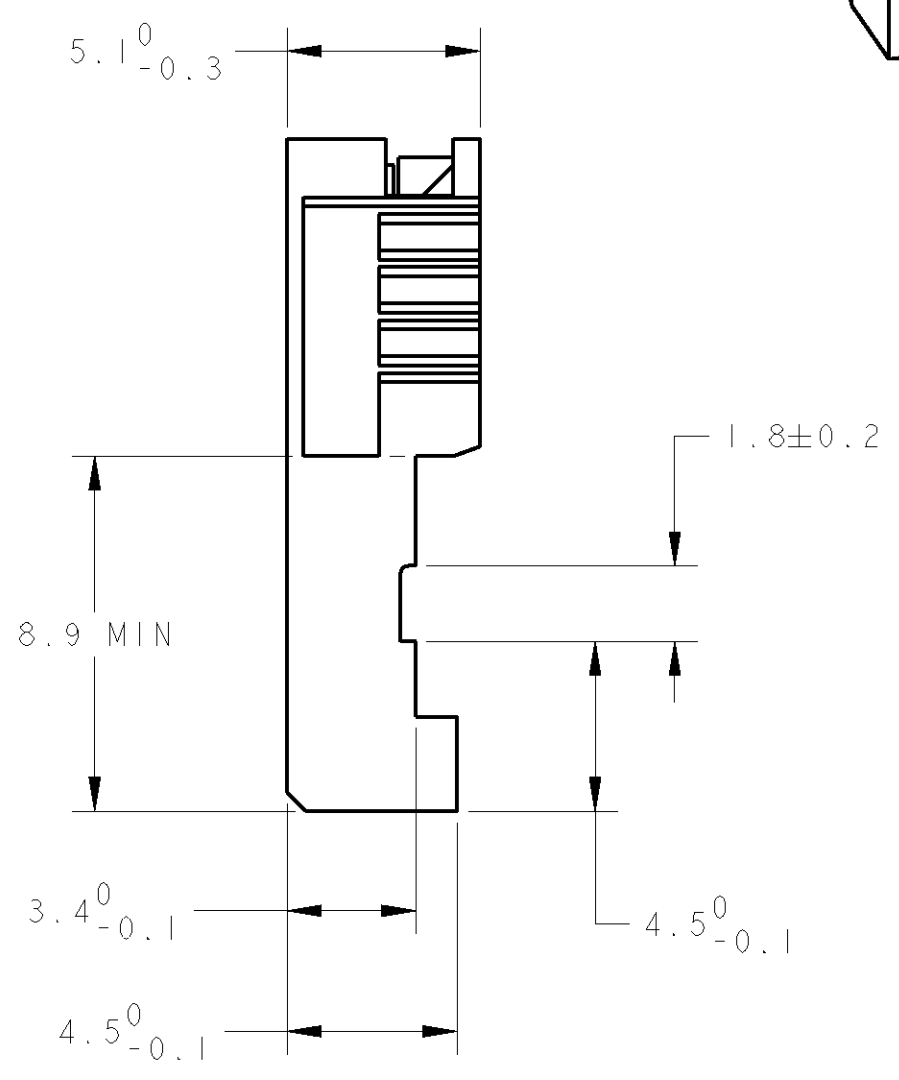
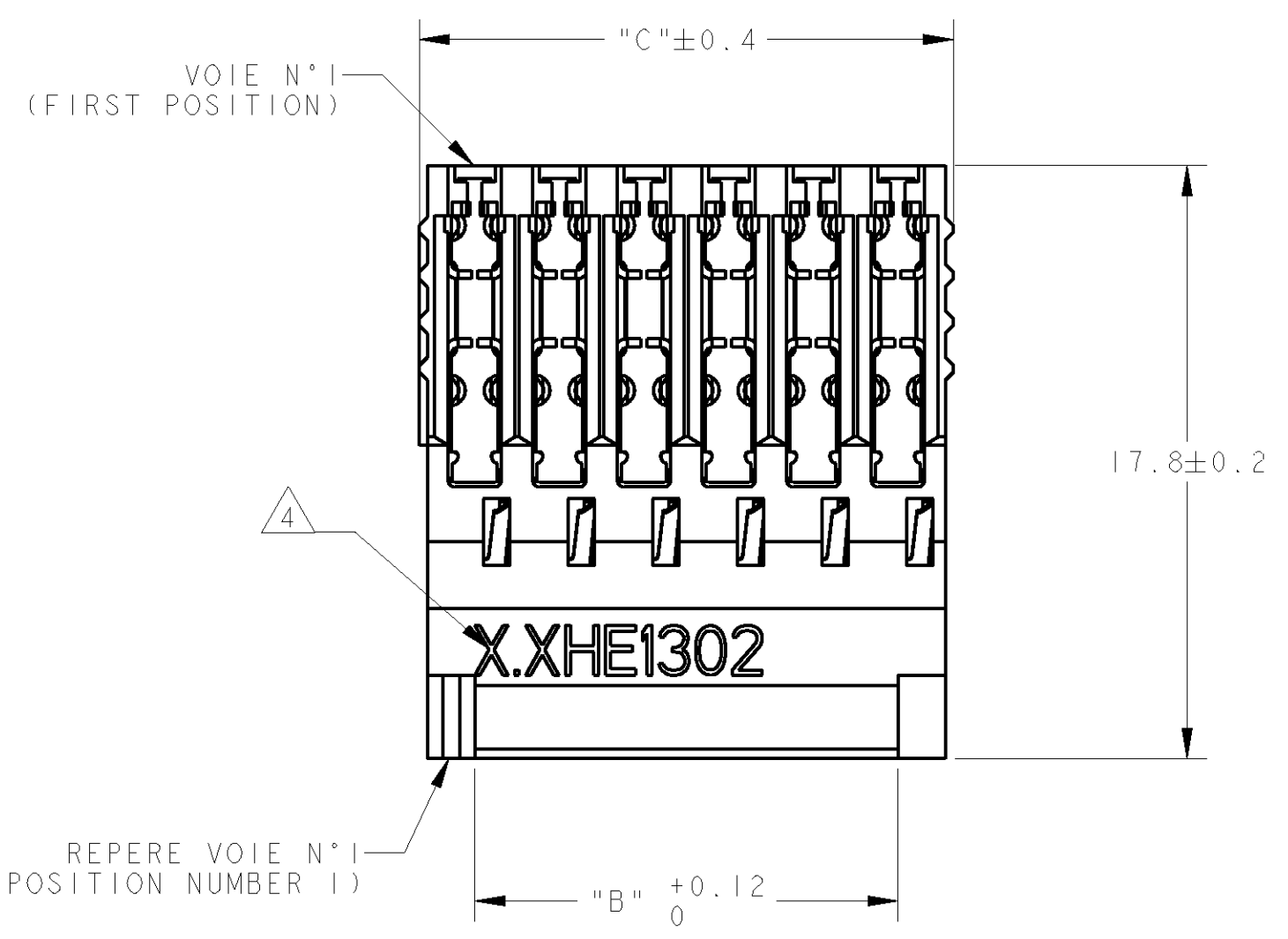
REVISONS		DATE	DWN DESS.	APVD APP.
P	LTR	DESCRIPTION MODIFICATIONS		
	A	REDESSINE	06/90	AC
	B	REDESSINE SUR (REDRAWN ON) PRO/ENG	10SEP2002	CC YP
	C	UPDATED	28MAR2007	TC YP



ECHELLE 4:1
SCALE



ECHELLE 4:1
SCALE



- 1 CES CONNECTEURS SONT PREVUS POUR ETRE ACCOUPLES AVEC LES EMBASES 'HE1302' SIMPLE RANGEE
- 2 LES REFERENCES SUIVIES D'UN ' * ' SONT LES VERSIONS NORMALISEES SELON LA 'CEI 603-8'
- 3 REVETEMENT DES CONTACTS: 0.38µm D'OR DANS LA ZONE DE CONTACT, ETAIN SUR LA SORTIE CAD, SOUS-COUCHE NICKEL
- 4 "X.X" EST REMPLACE PAR LES DEUX DEUXIEME CHIFFRES DU COUPLE DES JAUGES AWG
- 5 MATIERES - BOITIER: PBT UL94V0 - CONTACTS: BRONZE PHOSPHOREUX.

- (THESE CONNECTEURS ARE DESIGNED TO BE MATED WITH 'HE1302' HEADERS SINGLE ROW)
- (THE PART-NO FOLLOWED BY ' * ' ARE COVERED BY THE INTERNATIONAL STANDARD 'IEC603-8')
- (CONTACTS PLATING: 0.38µm GOLD ON CONTACT AREA, TIN ON I.D. BARREL AREA, NICKEL UNDERPLATING)
- ("X.X" REPLACED BY THE TWO SECOND DIGIT OF AWG RANGE AS DEFINED IN TABLE)
- (MATERIAL - HOUSING : PBT UL94V0 - CONTACTS: PHOSPHOR BRONZE)

46.52	43.18	18	1-281784-8	*
38.90	35.56	15	1-281784-5	*
31.28	27.94	12	1-281784-2	*
26.20	22.86	10	1-281784-0	*
21.12	17.78	8	0-281784-8	*
16.04	12.70	6	0-281784-6	*
13.50	10.16	5	0-281784-5	*
10.96	7.62	4	0-281784-4	*
8.42	5.08	3	0-281784-3	*
5.88	2.54	2	0-281784-2	*
C		A, B	Nb DE POS	REFERENCES (PART No)
DIMENSIONS				

THIS DRAWING IS A CONTROLLED DOCUMENT FOR TYCO ELECTRONICS CORPORATION IT IS SUBJECT TO CHANGE AND THE CONTROLLING ENGINEERING ORGANIZATION SHOULD BE CONTACTED FOR THE LATEST REVISION. CE PLAN EST UN DOCUMENT CONTROLÉ PAR AMP INCORPORATED. IL EST SUSCEPTIBLE D'ÊTRE REVISÉ, CONTACTER LE SERVICE TECHNIQUE D'AMP DE FRANCE POUR OBTENIR LA DERNIÈRE RÉVISION.		DWN/DESSINE C. COMBEDOUZON CHK/VERIFIE T. CORRIOU APVD/APPROUVE Y. PETRONIN	29NOV2000 29NOV2000 29NOV2000	AMP DE FRANCE 95301 PONTOISE
DIMENSIONS: mm	TOLERANCES UNLESS OTHERWISE SPECIFIED: (SUIV NB DE DECIMALES) 0 PLC/DEC: ± 1 PLC/DEC: ±0.3 2 PLC/DEC: ± 3 PLC/DEC: ± 4 PLC/DEC: ± ANGLES ±°	PRODUCT SPEC SPEC, PRODUIT 108-15053	NAME TITRE HE 1302 PLUG, 180 deg IDC SINGLE ROW	RESTRICTED TO RESERVE A
MATERIAL/MATIERE	FINISH/FINITION	APPLICATION SPEC SPEC, APPLICATION 114-15031	SIZE FORMAT A2	UNIQUEMENT POUR REFERENCE
		WEIGHT MASSE APPROX. -	CAGE CODE 00779	SCALE ECHELLE 5:1
CUSTOMER DRAWING /PLAN CLIENT		SCALE ECHELLE 5:1	SHEET FEUILLE	REV C

X-ON Electronics

Largest Supplier of Electrical and Electronic Components

Click to view similar products for [Headers & Wire Housings](#) category:

Click to view products by [TE Connectivity](#) manufacturer:

Other Similar products are found below :

[892-18-020-10-001101](#) [58102-G61-06LF](#) [582553-1](#) [0009485154](#) [009176003701906](#) [0050291907](#) [LY20-4P-DT1-P1E-BR](#) [02.125.8002.8](#)
[609-3404](#) [61062-3](#) [61082-181009](#) [622-3653LF](#) [63453-116](#) [636-1030](#) [636-1427](#) [636-3427](#) [636-4007](#) [641938-9](#) [641991-4](#) [644827-2](#) [65817-](#)
[010LF](#) [65817-015LF](#) [65863-015LF](#) [66207-023LF](#) [67095-007LF](#) [67601157](#) [68645-018](#) [68648-049](#) [70.362.1628.0](#) [70-4210](#) [70-4226B](#) [70-](#)
[4853B](#) [707-5020](#) [707-5028](#) [71.350.2428.0](#) [71918-208LF](#) [71961-016LF](#) [733-134](#) [733-162](#) [754199-000](#) [760-3052](#) [79531-3000](#) [FCN-](#)
[360C032-B](#) [FCN-367T-T012/H](#) [FCN-723D010/2](#) [80.063.4001.1](#) [800-90-010-10-002000](#) [801-43-002-10-013000](#) [801-43-006-10-002000](#)
[801-93-011-10-001000](#)