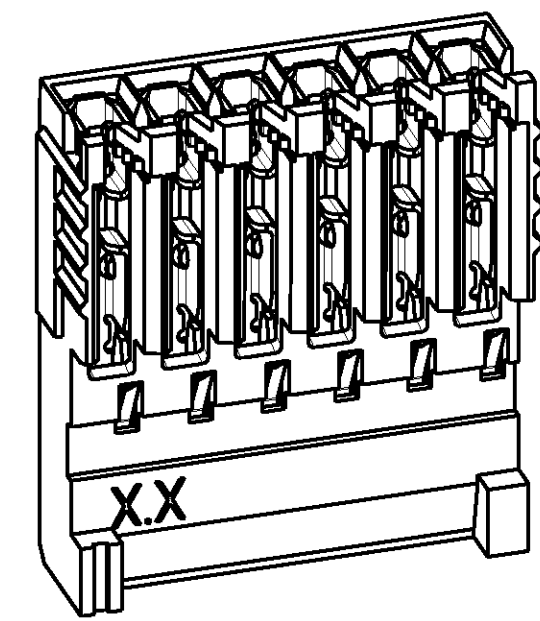
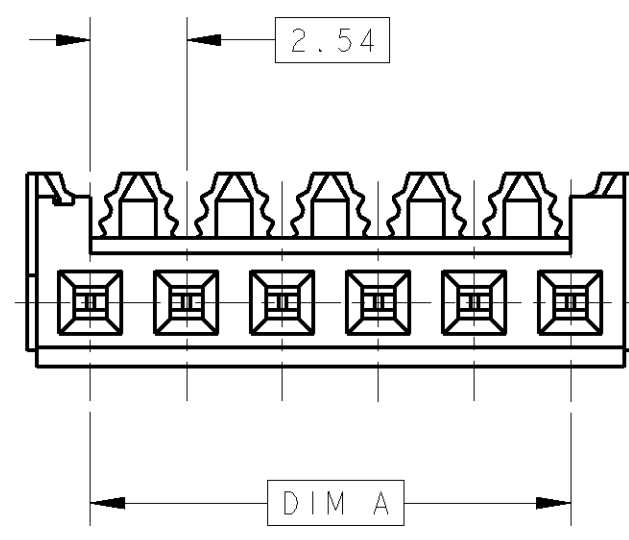


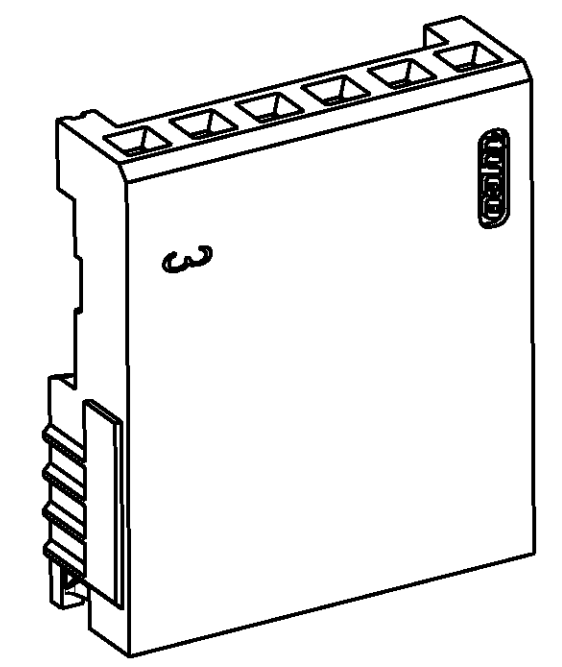
THIS DRAWING IS UNPUBLISHED. DIFFUSION RESTREINTE
 RELEASED FOR PUBLICATION LIBRE A LA DIFFUSION
 ALL RIGHTS RESERVED. TOUS DROITS RESERVES

FILS ADMISSIBLES (ACCEPTABLES WIRES)	
JAUGE (AWG) SECTION / 7 BRINS (7 STRANDS)	28-26 0.08-0.12mm ²
ISOLANT: Ø MAX / MATIERE (INSUL.: Ø MAX / MAT'L)	Ø 1 / PVC

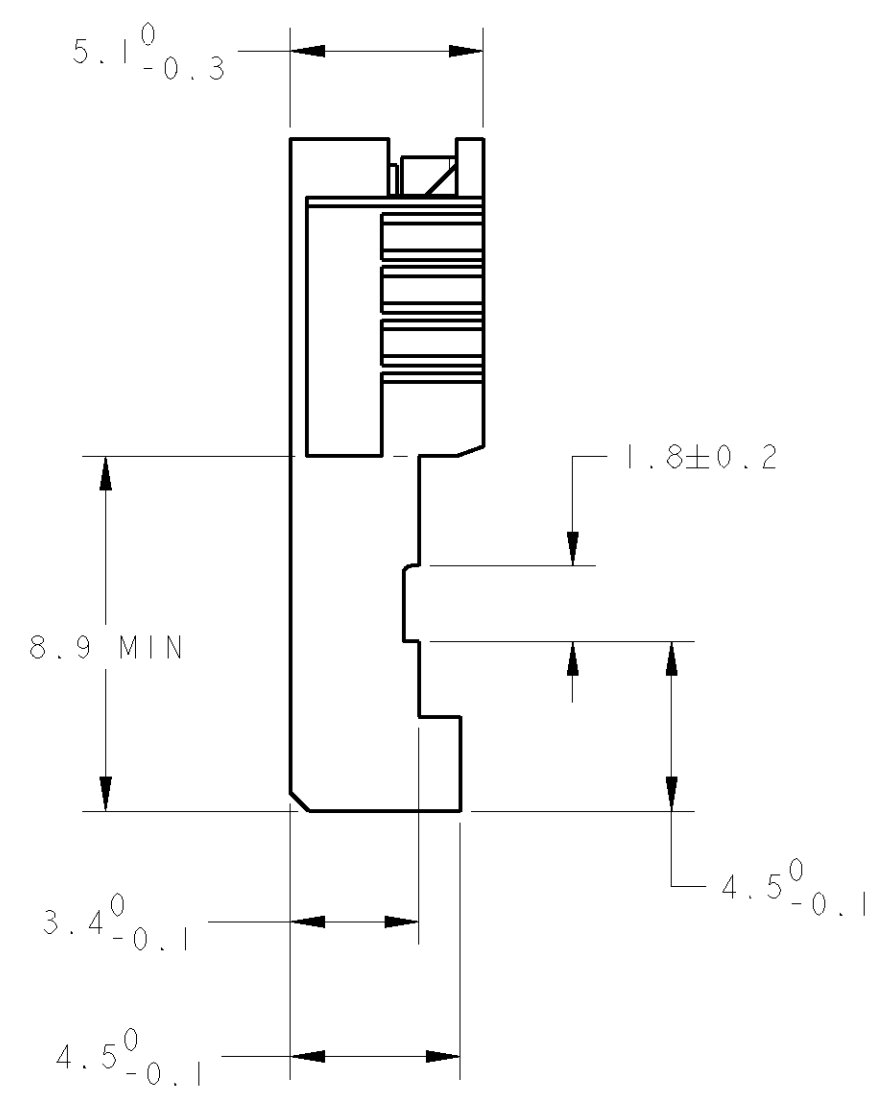
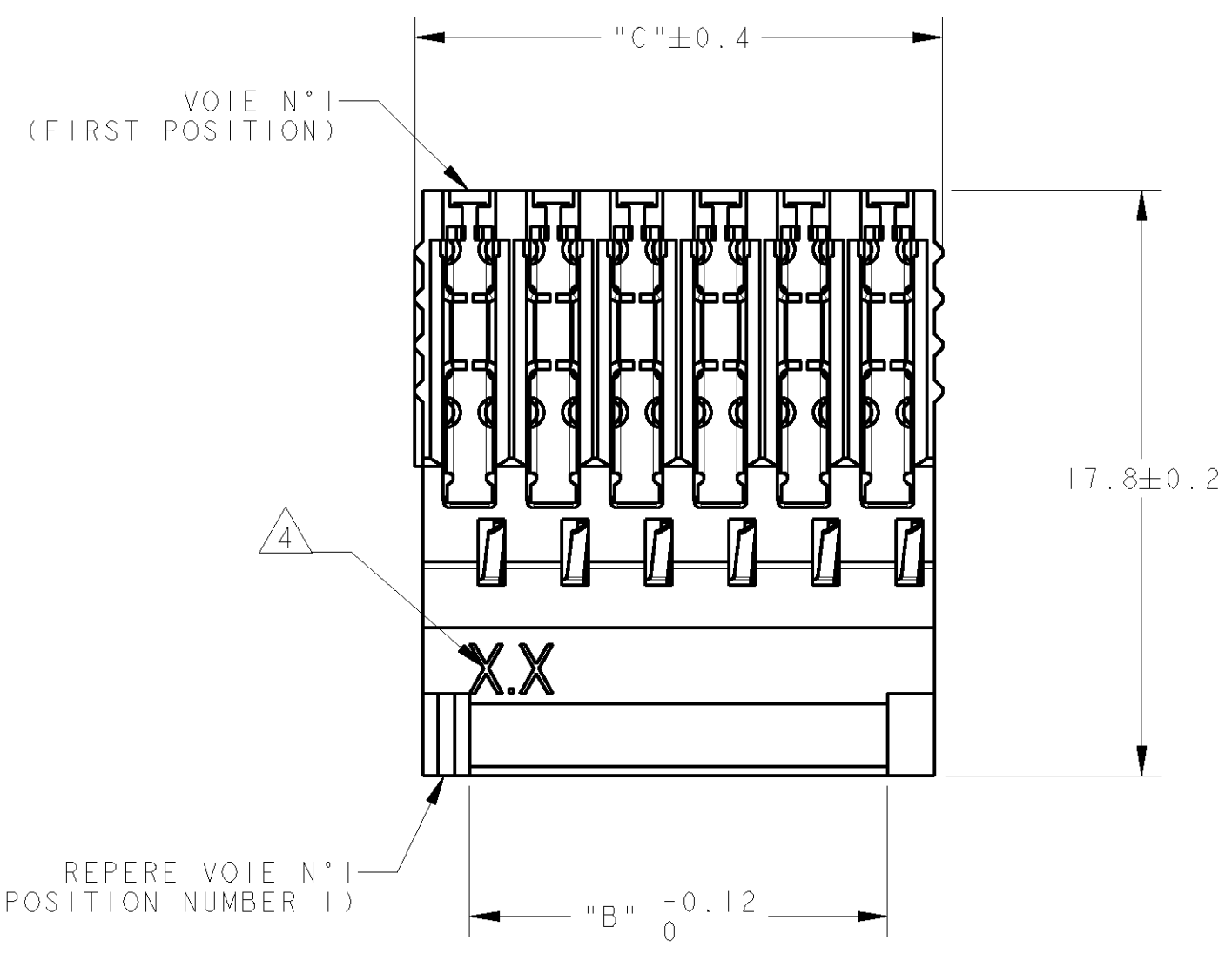
LOC F	DIST 7	REVISIONS			
P	LTR	DESCRIPTION MODIFICATIONS	DATE	DWN DESS.	APVD APP.
C1		REVISED PER ECO-11-005150	28APR11	RK	HMR



SCALE 4:1



SCALE 4:1



- | | | |
|---|---|--|
| 1 | CES CONNECTEURS SONT PREVUS POUR ETRE ACCOUPLES AVEC LES EMBASES 'HE1402' SIMPLE RANGEE | (THESE CONNECTEURS ARE DESIGNED TO BE MATED WITH 'HE1402' HEADERS SINGLE ROW) |
| 2 | LES REFERENCES SUIVIES D'UN ' * ' SONT LES VERSIONS NORMALISEES SELON LA 'CEI 603-8' | (THE PART-NO FOLLOWED BY ' * ' ARE COVERED BY THE INTERNATIONAL STANDARD 'IEC603-8') |
| 3 | REVETEMENT DES CONTACTS: ETAME | (CONTACTS PLATING: TIN) |
| 4 | 8.6 SIGNIFIE JAUGE 28-26 | 8.6 REFERS TO 28-26 AWG |
| 5 | MATIERES - BOITIER: PBT UL94V0, BLEU
- CONTACTS: BRONZE PHOSPHOREUX. | (MATERIAL - HOUSING: PBT UL94V0, COLOR BLUE
- CONTACTS: PHOSPHOR BRONZE) |

46.52	43.18	18	1-281786-8	*
38.90	35.56	15	1-281786-5	*
31.28	27.94	12	1-281786-2	*
26.20	22.86	10	1-281786-0	*
21.12	17.78	8	0-281786-8	*
16.04	12.70	6	0-281786-6	*
13.50	10.16	5	0-281786-5	*
10.96	7.62	4	0-281786-4	*
8.42	5.08	3	0-281786-3	*
5.88	2.54	2	0-281786-2	*
C	A, B	Nb DE POS	REFERENCES (PART No)	
DIMENSIONS				

DWN/DESSINE 29NOV2000 C. COMBEDOUZON CHK/VERIFIE 29NOV2000 T. CORRIOU APVD/APPROUVE 29NOV2000 Y. PETRONIN		TE Connectivity	
DIMENSIONS: mm		NAME/TITRE HE 1402 PLUG, 180° IDC SINGLE ROW	
TOLERANCES UNLESS OTHERWISE SPECIFIED: (SUIV NB DE DECIMALES) 0 PLC/DEC: ± 1 PLC/DEC: ±0.3 2 PLC/DEC: ± 3 PLC/DEC: ± 4 PLC/DEC: ± ANGLES ±5°		PRODUCT SPEC SPEC, PRODUIT 108-15053 APPLICATION SPEC SPEC, APPLICATION 114-15031	
MATERIAL/MATIERE		WEIGHT MASSE APPROX. -	
FINISH/FINITION		SIZE FORMAT A2	
5		CAGE CODE 00779	
3		DRAWING NO No PLAN C-281786	
CUSTOMER DRAWING /PLAN CLIENT		RESTRICTED TO RESERVE A	
UNIDUMENT POUR REFERENCE		SCALE Echelle 5:1	
		SHEET FEUILLE OF DE	
		REV C1	

X-ON Electronics

Largest Supplier of Electrical and Electronic Components

Click to view similar products for [Headers & Wire Housings](#) category:

Click to view products by [TE Connectivity](#) manufacturer:

Other Similar products are found below :

[95000-104TRLF](#) [10135584-644402LF](#) [DF62W-EP2022PCA](#) [95000-106TRLF](#) [DF62W-2022SCA](#) [DF62W-EP2022PC](#) [2203348](#) [DF62W-2022SC](#) [1084018](#) [1029039](#) [1084017](#) [802-10-012-10-002000](#) [1112640](#) [1112639](#) [000-34000](#) [0009482033](#) [0009507031](#) [57102-S06-03LF](#) [57202-S52-04LF](#) [PCN6-15S-2.5E](#) [0039019024](#) [58102-G61-06LF](#) [582553-1](#) [0009508121](#) [0050291907](#) [018731A](#) [LY20-4P-DT1-P1E-BR](#) [02.125.8002.8](#) [60101931](#) [60598-1 \(Cut Strip\)](#) [M1625-3R/100](#) [61062-3](#) [61082-181009](#) [636-1427](#) [638009-1](#) [641938-9](#) [641991-4](#) [644168-1](#) [647662-1](#) [65039-019ELF](#) [65817-002LF](#) [65817-015LF](#) [65863-015LF](#) [66207-023LF](#) [67016-026LF](#) [67046-001LF](#) [67095-007LF](#) [68002-116](#) [68016-236H](#) [68648-049](#)