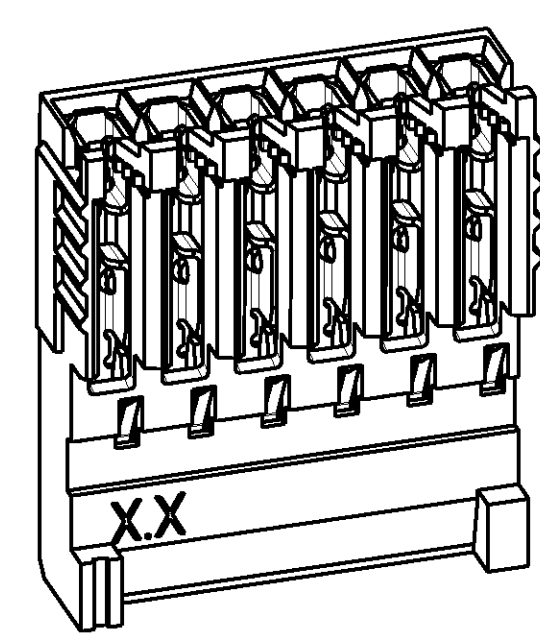
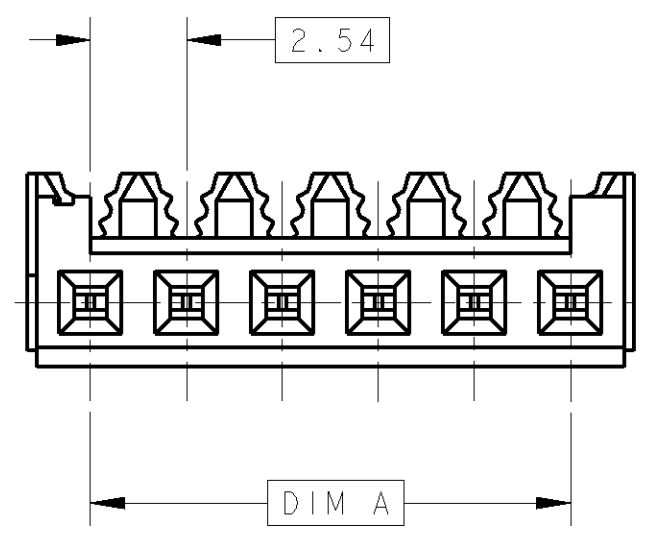


THIS DRAWING IS UNPUBLISHED.  
 DIFFUSION RESTREINTE  
 © COPYRIGHT BY

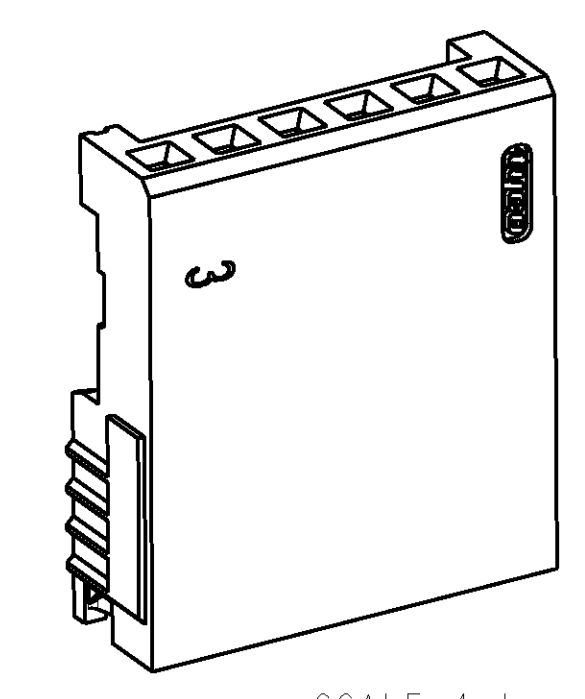
RELEASED FOR PUBLICATION  
 LIBRE A LA DIFFUSION  
 ALL RIGHTS RESERVED  
 TOUS DROITS RESERVES

FILS ADMISSIBLES (ACCEPTABLES WIRES)	
JAUGE (AWG) SECTION / 7 BRINS (7 STRANDS)	28-26 0.08-0.12mm <sup>2</sup>
ISOLANT: Ø MAX / MATIERE (INSUL.: Ø MAX / MAT'L)	Ø 1 / PVC

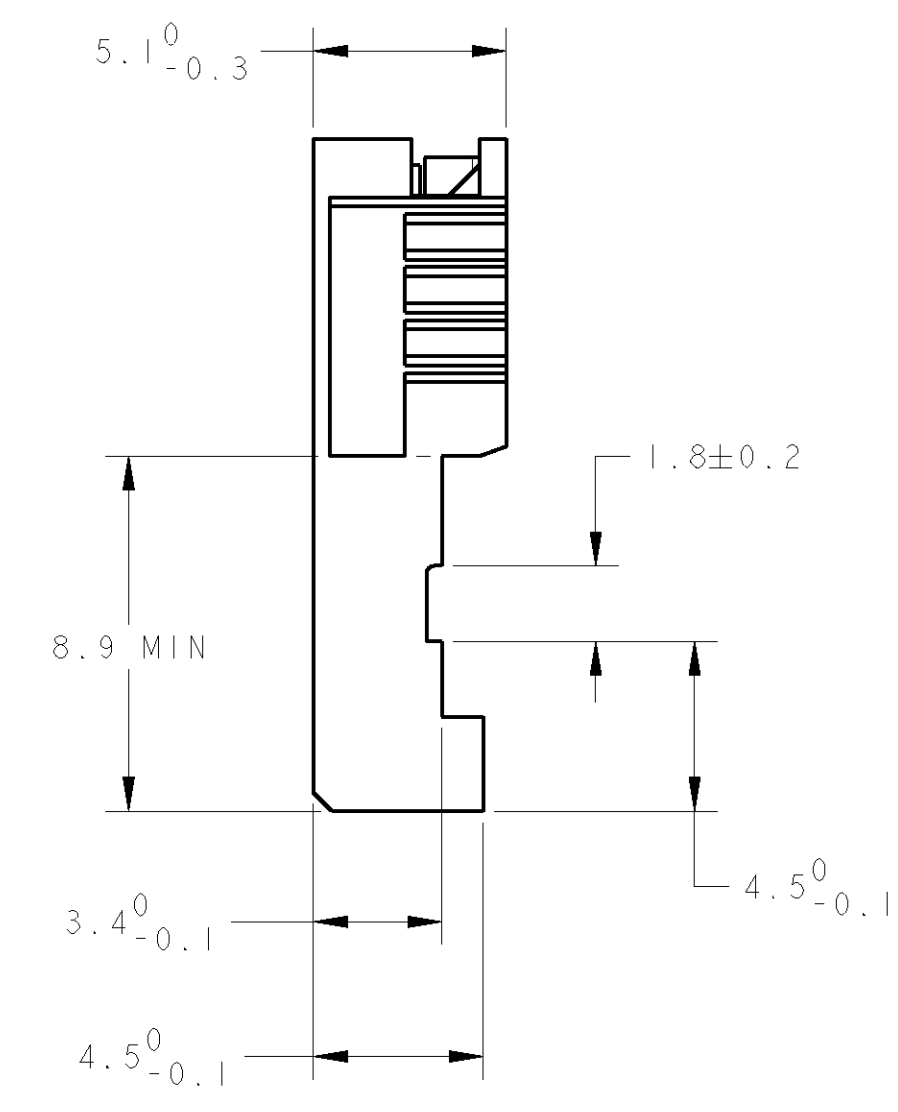
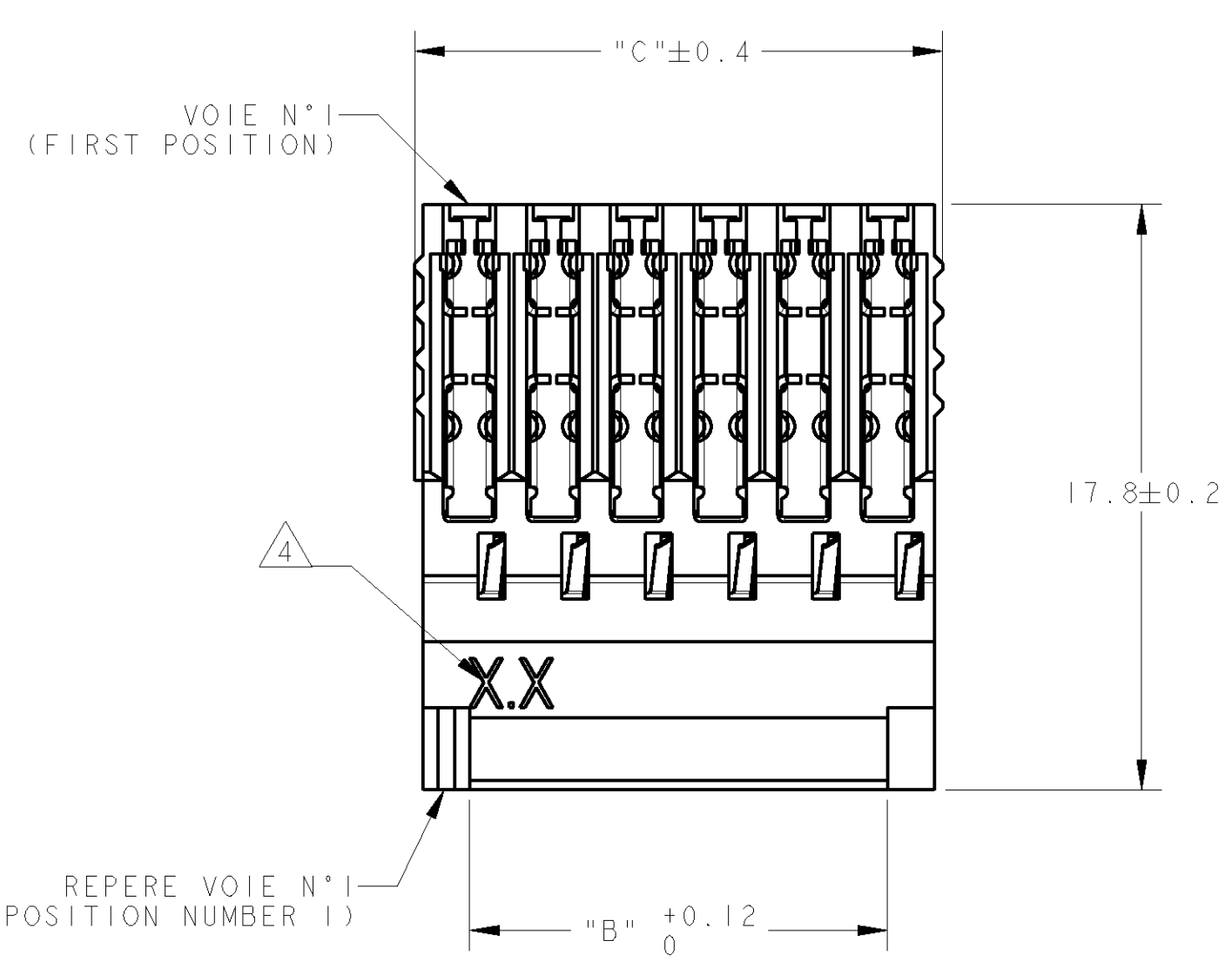
LOC	DIST	REVISIONS					
F	7	P	LTR	DESCRIPTION MODIFICATIONS	DATE	DWN DESS.	APVD APP.
		C1		REVISED PER ECO-11-005150	28APR11	RK	HMR



SCALE 4:1



SCALE 4:1



- |   |   |  |
|---|---|--|
| 1 | CES CONNECTEURS SONT PREVUS POUR ETRE ACCOUPLES AVEC LES EMBASES 'HE1402' SIMPLE RANGEE | (THESE CONNECTEURS ARE DESIGNED TO BE MATED WITH 'HE1402' HEADERS SINGLE ROW)        |
| 2 | LES REFERENCES SUIVIES D'UN ' * ' SONT LES VERSIONS NORMALISEES SELON LA 'CEI 603-8'    | (THE PART-NO FOLLOWED BY ' * ' ARE COVERED BY THE INTERNATIONAL STANDARD 'IEC603-8') |
| 3 | REVETEMENT DES CONTACTS: ETAME  | (CONTACTS PLATING: TIN)  |
| 4 | 8.6 SIGNIFIE JAUGE 28-26  | 8.6 REFERS TO 28-26 AWG  |
| 5 | MATIERES - BOITIER: PBT UL94V0, BLEU<br>- CONTACTS: BRONZE PHOSPHOREUX.                 | (MATERIAL - HOUSING: PBT UL94V0, COLOR BLUE<br>- CONTACTS: PHOSPHOR BRONZE)          |

46.52	43.18	18	1-281786-8	*
38.90	35.56	15	1-281786-5	*
31.28	27.94	12	1-281786-2	*
26.20	22.86	10	1-281786-0	*
21.12	17.78	8	0-281786-8	*
16.04	12.70	6	0-281786-6	*
13.50	10.16	5	0-281786-5	*
10.96	7.62	4	0-281786-4	*
8.42	5.08	3	0-281786-3	*
5.88	2.54	2	0-281786-2	*
C		A, B	Nb DE POS	REFERENCES (PART No)
DIMENSIONS				

DWN/DESSINE 29NOV2000 C. COMBEDOUZON		TE Connectivity	
CHK/VERIFIE 29NOV2000 T. CORRIOU		NAME TITRE	
APVD/APPROUVE 29NOV2000 Y. PETRONIN		HE 1402 PLUG, 180° IDC SINGLE ROW	
PRODUCT SPEC SPEC. PRODUIT 108-15053		SIZE FORMAT	RESTRICTED TO RESERVE A
APPLICATION SPEC SPEC. APPLICATION 114-15031		CAGE CODE	
WEIGHT MASSE APPROX. -		DRAWING NO No PLAN	
MATERIAL/MATIERE		A2 00779	
FINISH/FINITION		C-281786	
CUSTOMER DRAWING /PLAN CLIENT		UNIFORMENT POUR REFERENCE	SCALE ECHELLE 5:1
		SHEET FEUILLE	OF DE
		REV	C1

## X-ON Electronics

Largest Supplier of Electrical and Electronic Components

*Click to view similar products for [Headers & Wire Housings](#) category:*

*Click to view products by [TE Connectivity](#) manufacturer:*

Other Similar products are found below :

[892-18-020-10-001101](#) [58102-G61-06LF](#) [582553-1](#) [0009485154](#) [009176003701906](#) [0050291907](#) [LY20-4P-DT1-P1E-BR](#) [02.125.8002.8](#)  
[609-3404](#) [61062-3](#) [61082-181009](#) [622-3653LF](#) [63453-116](#) [636-1030](#) [636-1427](#) [636-3427](#) [636-4007](#) [641938-9](#) [641991-4](#) [644827-2](#) [65817-](#)  
[010LF](#) [65817-015LF](#) [65863-015LF](#) [66207-023LF](#) [67095-007LF](#) [67601157](#) [68645-018](#) [68648-049](#) [70.362.1628.0](#) [70-4210](#) [70-4226B](#) [70-](#)  
[4853B](#) [707-5020](#) [707-5028](#) [71.350.2428.0](#) [71918-208LF](#) [71961-016LF](#) [733-134](#) [733-162](#) [754199-000](#) [760-3052](#) [79531-3000](#) [FCN-](#)  
[360C032-B](#) [FCN-367T-T012/H](#) [FCN-723D010/2](#) [80.063.4001.1](#) [800-90-010-10-002000](#) [801-43-002-10-013000](#) [801-43-006-10-002000](#)  
[801-93-011-10-001000](#)