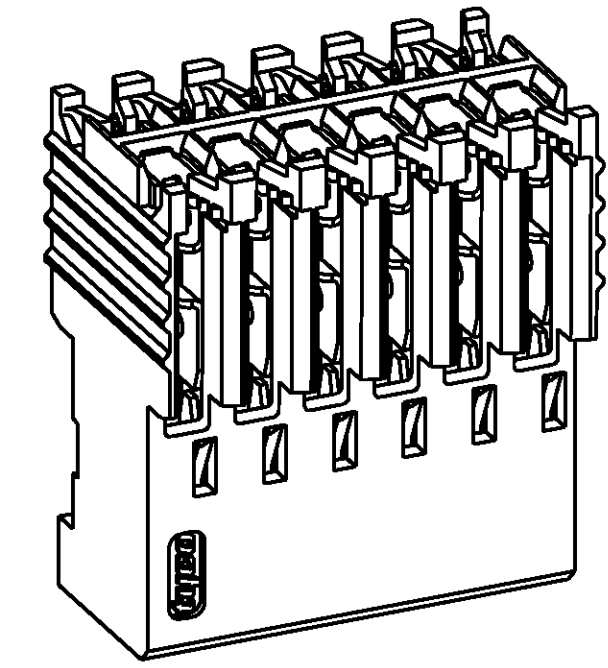
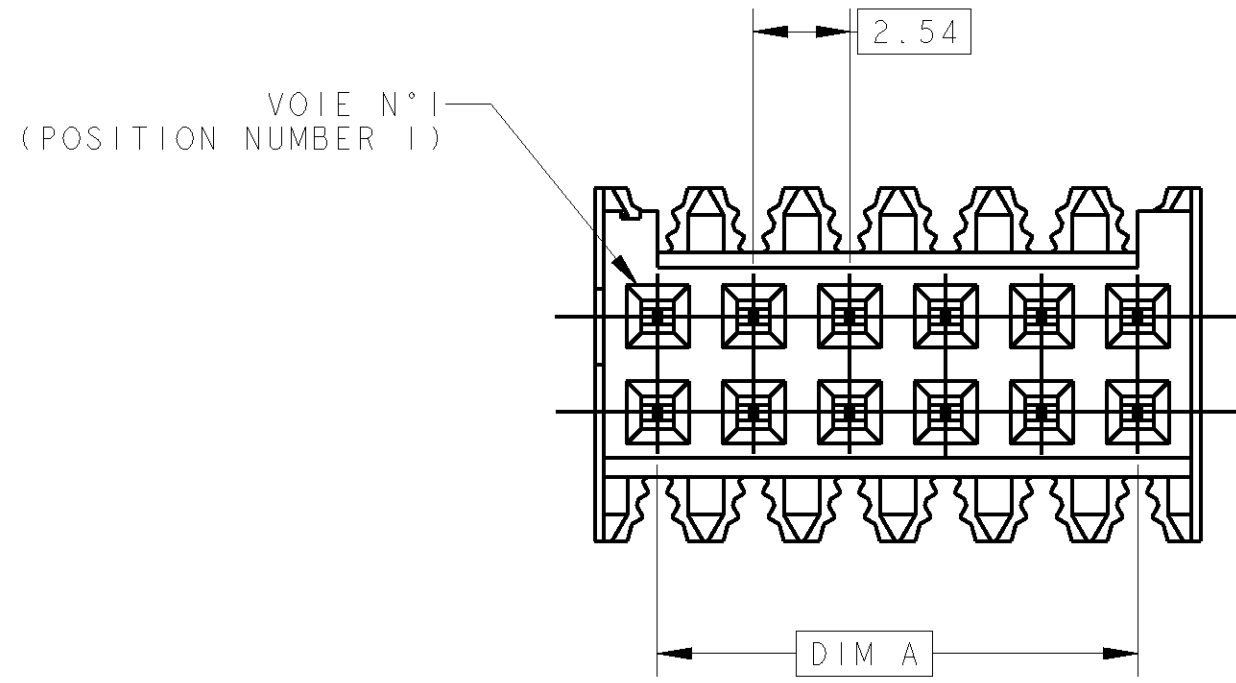


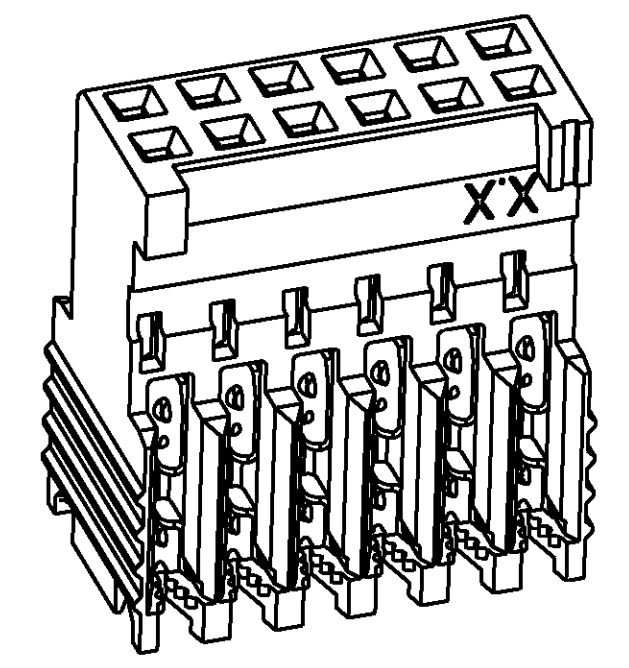
THIS DRAWING IS UNPUBLISHED. RELEASED FOR PUBLICATION
 DIFFUSION RESTREINTE LIBRE A LA DIFFUSION
 © COPYRIGHT 20 BY TYCO ELECTRONICS CORPORATION. ALL RIGHTS RESERVED.
 TOUS DROITS RESERVES

FILS ADMISSIBLES (ACCEPTABLES WIRES)	
JAUGE (AWG) SECTION / 7 BRINS (7 STRANDS)	28-26 0.08-0.12mm ²
ISOLANT: Ø MAX / MATIERE (INSUL.: Ø MAX / MAT'L)	Ø 1 / PVC

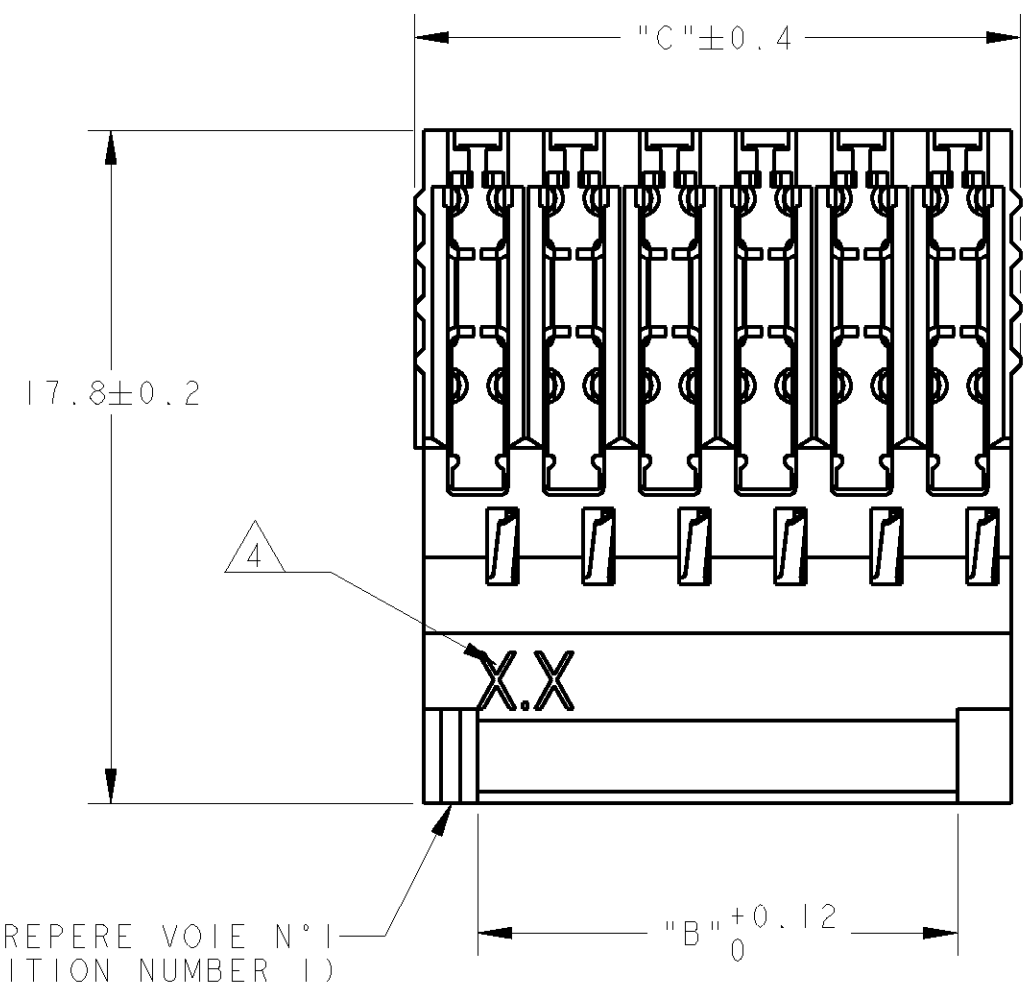
REVISIONS					
P	LTR	DESCRIPTION MODIFICATIONS	DATE	DWN DESS.	APVD APP.
A		REDESSINE	06/90	AC	-
B		REDESSINE SUR (REDRAWN ON) PRO/ENG	13SEP2002	CC	YP
C		UPDATED	28MAR2007	TC	YP



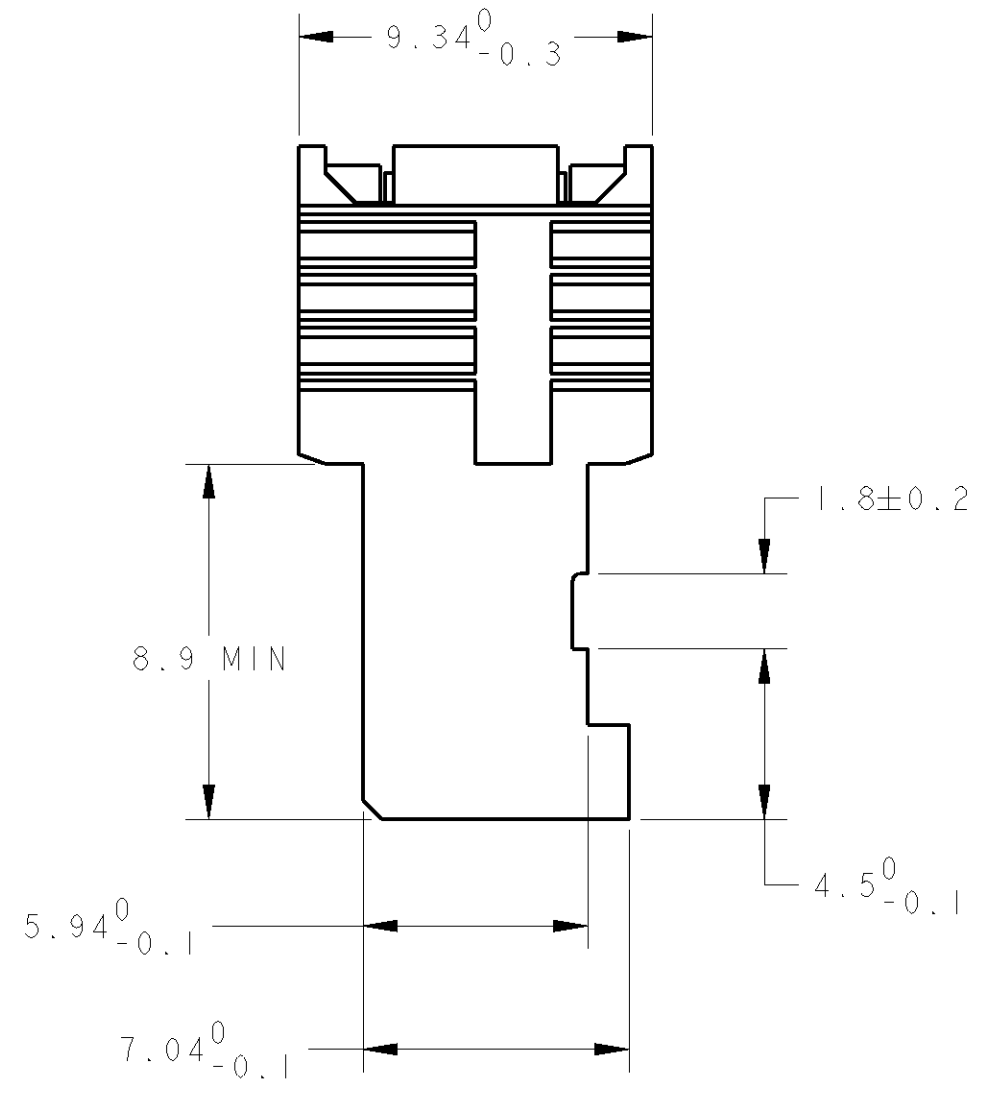
ECHELLE 4:1
SCALE



ECHELLE 4:1
SCALE



REPERE VOIE N°1
(IDENTIFIER POSITION NUMBER 1)



1 CES CONNECTEURS SONT PREVUS POUR ETRE
ACCOUPLES AVEC LES EMBASES 'HE1402'
DOUBLE RANGEE

(THESE CONNECTORS ARE DESIGNED TO BE MATED
WITH 'HE1402' HEADERS DOUBLE ROW)

2 LES REFERENCES SUIVIES D'UN ' * ' SONT
LES VERSIONS NORMALISEES
SELON LA 'CEI 603-8'

(THE PART-N₀ FOLLOWED BY ' * ' ARE
COVERED BY THE INTERNATIONAL STANDARD 'IEC603-8')

3 REVETEMENT DES CONTACTS: ETAME

(CONTACTS PLATING: TIN)

4 "X.X" EST REMPLACE PAR LES DEUX DEUXIEME
CHIFFRES DU COUPLE DES JAUGES AWG

("X.X" REPLACED BY THE TWO SECOND DIGIT OF
AWG RANGE AS DEFINED IN TABLE)

5 MATIERES - BOITIER: PBT UL94V0
- CONTACTS: BRONZE PHOSPHOREUX.

(MATERIAL - HOUSING : PBT UL94V0
- CONTACTS: PHOSPHOR BRONZE)

46.52	43.18	2x 18	1- 281792-8 *
38.90	35.56	2x 15	1- 281792-5 *
31.28	27.94	2x 12	1- 281792-2 *
26.20	22.86	2x 10	1- 281792-0 *
21.12	17.78	2x 8	0- 281792-8 *
16.04	12.70	2x 6	0- 281792-6 *
13.50	10.16	2x 5	0- 281792-5 *
10.96	7.62	2x 4	0- 281792-4 *
8.42	5.08	2x 3	0- 281792-3 *
5.88	2.54	2x 2	0- 281792-2 *
"C"	"A,B"	Nb DE POS.	REFERENCES (PART N°)
DIMENSIONS			

THIS DRAWING IS A CONTROLLED DOCUMENT FOR TYCO ELECTRONICS CORPORATION IT IS SUBJECT TO CHANGE AND THE CONTROLLING ENGINEERING ORGANIZATION SHOULD BE CONTACTED FOR THE LATEST REVISION. CE PLAN EST UN DOCUMENT CONTROLE PAR AMP INCORPORATED. IL EST SUSCEPTIBLE D'ETRE REVISE, CONTACTER LE SERVICE TECHNIQUE D'AMP DE FRANCE POUR OBTENIR LA DERNIERE REVISION.		DWN/DESSINE 29NOV2000 C. COMBEDOUZON CHK/VERIFIE 29NOV2000 T. CORRIOU APVD/APPROUVE 29NOV2000 Y. PETRONIN	AMP DE FRANCE 95301 PONTOISE
DIMENSIONS: mm	TOLERANCES UNLESS OTHERWISE SPECIFIED: (SUIV NB DE DECIMALES) 0 PLC/DEC: ± 1 PLC/DEC: ±0.3 2 PLC/DEC: ± 3 PLC/DEC: ± 4 PLC/DEC: ± ANGLES ±5°	PRODUCT SPEC SPEC, PRODUCT 108-15053 APPLICATION SPEC SPEC, APPLICATION 114-15031	NAME TITRE HE 1402 PLUG, 180° IDC DOUBLE ROW
MATERIAL/MATIERE 5	FINISH/FINITION 3	WEIGHT MASSE APPROX. - CUSTOMER DRAWING /PLAN CLIENT	SIZE FORMAT A2 CAGE CODE 00779 DRAWING NO No PLAN C-281792 RESTRICTED TO RESERVE A REV C

X-ON Electronics

Largest Supplier of Electrical and Electronic Components

Click to view similar products for [Headers & Wire Housings](#) category:

Click to view products by [TE Connectivity](#) manufacturer:

Other Similar products are found below :

[892-18-020-10-001101](#) [58102-G61-06LF](#) [582553-1](#) [0009485154](#) [009176003701906](#) [0050291907](#) [LY20-4P-DT1-P1E-BR](#) [02.125.8002.8](#)
[609-3404](#) [61062-3](#) [61082-181009](#) [622-3653LF](#) [63453-116](#) [636-1030](#) [636-1427](#) [636-3427](#) [636-4007](#) [641938-9](#) [641991-4](#) [644827-2](#) [65817-](#)
[010LF](#) [65817-015LF](#) [65863-015LF](#) [66207-023LF](#) [67095-007LF](#) [67601157](#) [68645-018](#) [68648-049](#) [70.362.1628.0](#) [70-4210](#) [70-4226B](#) [70-](#)
[4853B](#) [707-5020](#) [707-5028](#) [71.350.2428.0](#) [71918-208LF](#) [71961-016LF](#) [733-134](#) [733-162](#) [754199-000](#) [760-3052](#) [787-8014-00](#) [79531-3000](#)
[FCN-360C032-B](#) [FCN-367T-T012/H](#) [FCN-723D010/2](#) [80.063.4001.1](#) [800-90-001-10-001000](#) [800-90-010-10-002000](#) [801-43-002-10-013000](#)