

CAVITA' ADATTA PER CONTATTO JUNIOR TIMER LANCELESS P/N 281822  
281823, CON GUARNIZIONE PASSACAVO P/N 182730, OPPURE JUNIOR  
POWER TIMER CON GUARNIZIONE PASSACAVO.  
(CAVITY SUITABLE FOR JUNIOR TIMER LANCELESS P/N 281822 AND  
282823, WITH SINGLE WIRE SEAL P/N 182730, OR JUNIOR POWER  
TIMER CONTACT WITH SINGLE WIRE SEAL).

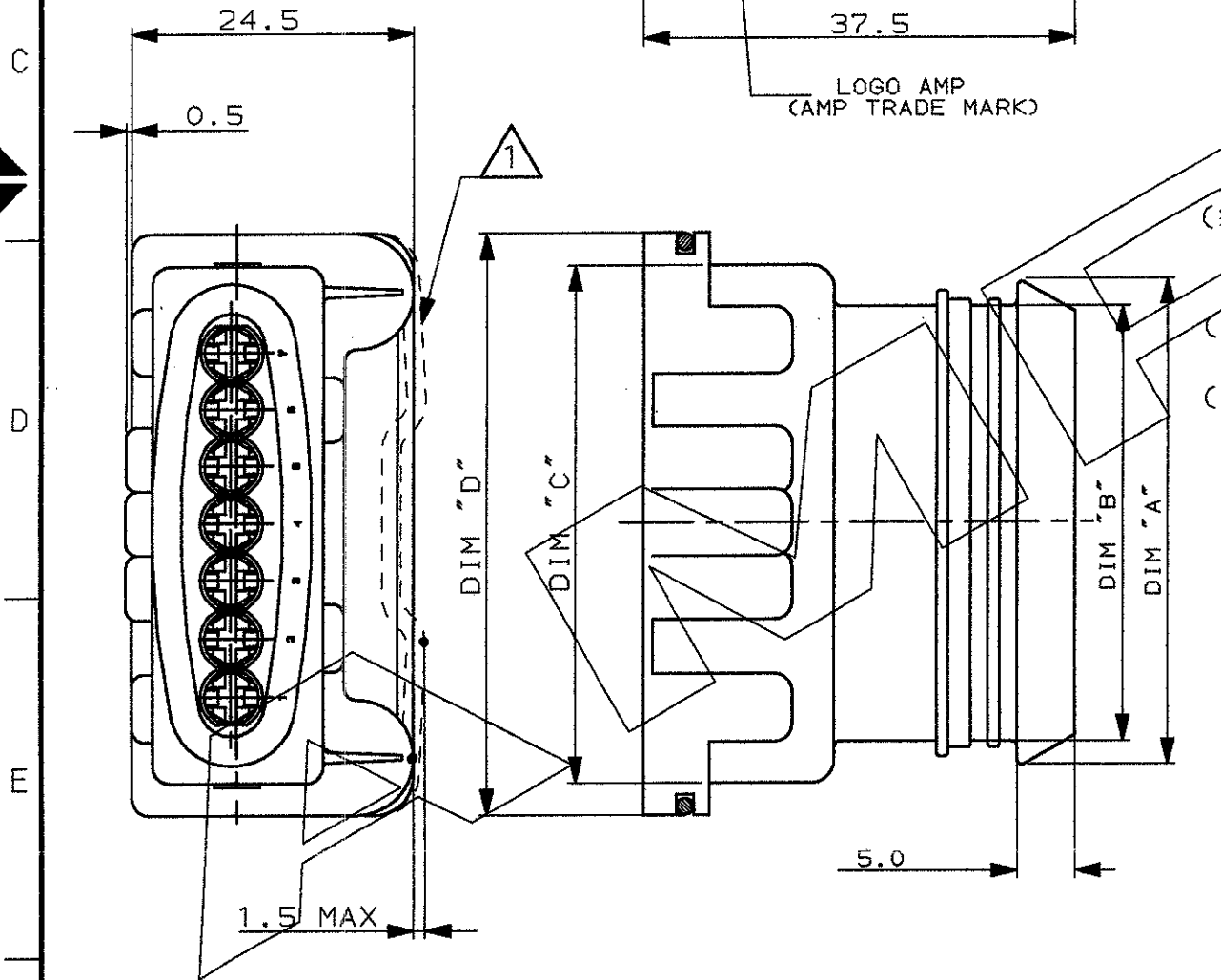
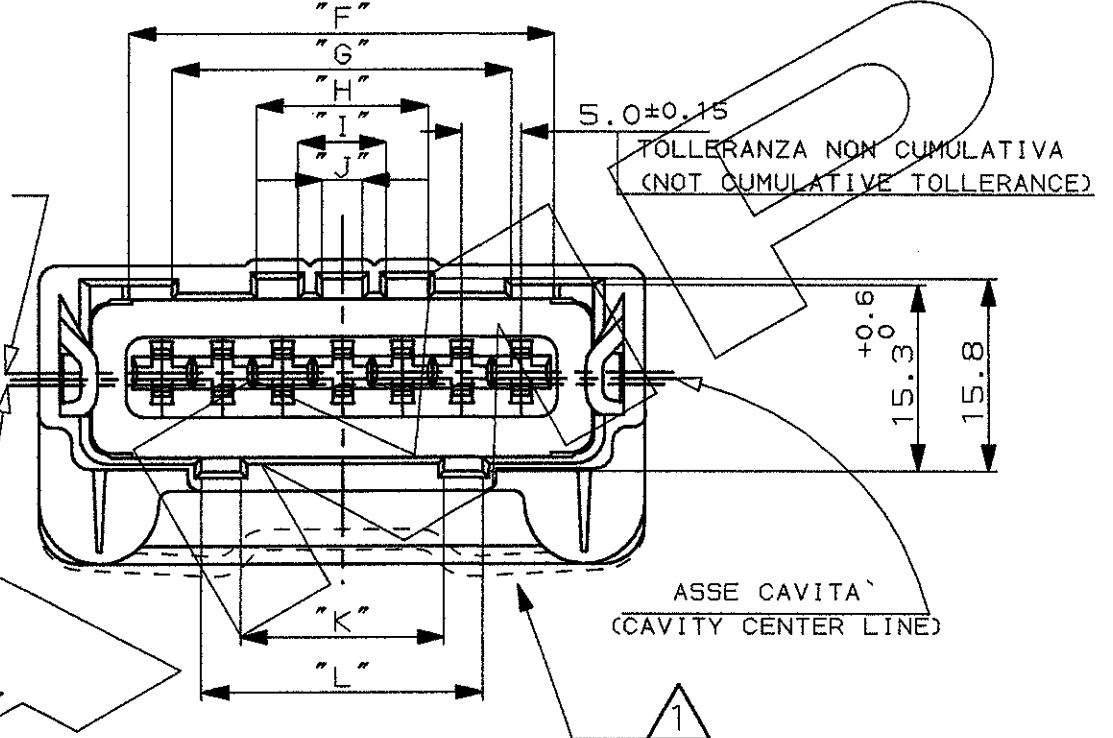
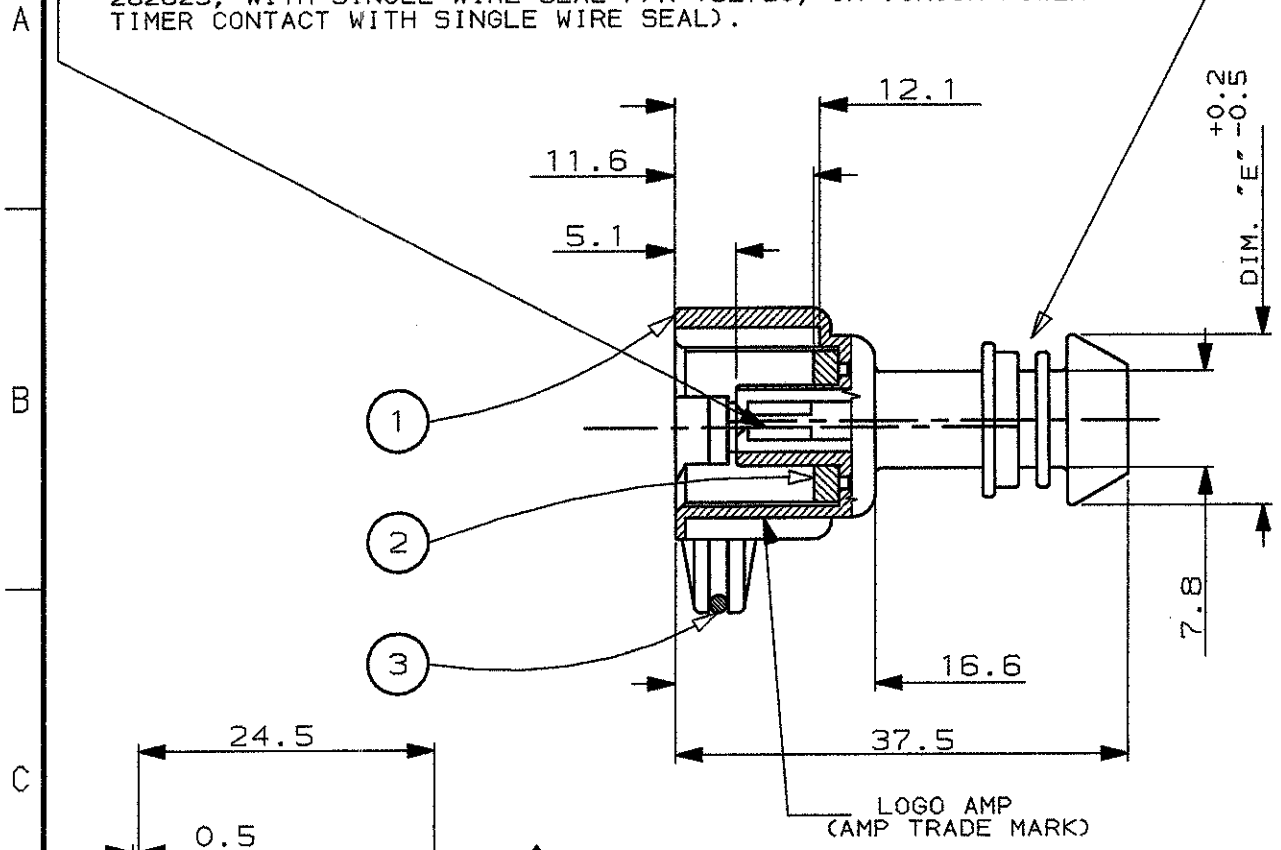
NERVATURE, SOLO SUL 7 VIE  
(RIBS, ON 7 POS. ONLY)

ASSE CONNETTORE 3-4 POS.  
(CONNECTOR CENTER LINE FOR  
3 AND 4 POSITION ONLY)

ASSE CONNETTORE 5 E 7 POS.  
(CONNECTOR CENTER LINE FOR  
5 AND 7 POSITION ONLY)

SCALA NON IMPEGNATIVA  
(DO NOT SCALE)  
DIMENSIONI IN mm  
(DIMENSIONS IN mm)

METRIC  
PROIEZIONE EUROPEA  
(EUROPEAN PROJECTION)



7	42.6	37.8	45.0	50.5	14.6	35.5	28.3	//	//	3.4	16.3	23.5	GRIGIO (GREY)	281808-2
7	42.6	37.8	45.0	50.5	14.6	35.5	28.3	//	//	3.4	16.3	23.5	NERO (BLACK)	281808-1
(*) 5	32.0	27.8	35.0	40.5	15	28.5	21.3	//	//	3.4	11.3	18.5	GRIGIO (GREY)	281806-2
5	32.0	27.8	35.0	40.5	15	28.5	21.3	//	//	3.4	11.3	18.5	NERO (BLACK)	281806-1
4	28.0	22.8	30.0	35.5	14	//	//	14.3	7.4	//	11.3	18.5	MARRONE (BROWN)	281804-3
(*) 4	28.0	22.8	30.0	35.5	14	//	//	14.3	7.4	//	11.3	18.5	GRIGIO (GREY)	281804-2
4	28.0	22.8	30.0	35.5	14	//	//	14.3	7.4	//	11.3	18.5	NERO (BLACK)	281804-1
(*) 3	23.0	17.8	25.0	30.5	14	//	//	//	//	3.4	11.3	18.5	GRIGIO (GREY)	281802-2
3	23.0	17.8	25.0	30.5	14	//	//	//	//	3.4	11.3	18.5	NERO (BLACK)	281802-1
N° VIE (POS.)	A	B	C	D	E	F <sup>+0.3</sup> <sub>-0.1</sub>	G <sup>+0.1</sup> <sub>-0.3</sub>	H <sup>+0.3</sup> <sub>-0.1</sub>	I <sup>+0.1</sup> <sub>-0.3</sub>	J <sup>+0.3</sup> <sub>-0.1</sub>	K <sup>+0.1</sup> <sub>-0.3</sub>	L <sup>+0.3</sup> <sub>-0.1</sub>	COLORE (COLOUR)	PART NUMBER

3	///	ACCIAIO INOX (STAINLESS STEEL)	MOLLA (SPRING)
2	NATURALE (CLEAR)	GOMMA SILICONE (SILICONE RUBBER)	GUARNIZIONE (SEALING)
1	VEDI TABELLA (SEE TABLE)	PA 6.6 CARIC. VETRO (PA 6.6 G.F.)	BLOCCHETTO (HOUSING)
N° (ITEM)	FINITURA / COLORE (FINISH / COLOUR)	MATERIALE (MATERIAL)	DESCRIZIONE (DESCRIPTION)

(\*) OBSOLETE

CUSTOMER DWG. FOR REFERENCE ONLY      DISEGNO PER CLIENTE SOLO PER RIFERIMENTO

THIS DRAWING IS UNPUBLISHED - RELEASE FOR PUBLICATION 19

© COPYRIGHT 19 BY AMP INCORPORATED, HARRISBURG, PA. ALL INTERNATIONAL RIGHT RESERVED. AMP PRODUCTS MAY BE COVERED BY U.S. AND FOREIGN PATENT AND/OR PATENT PENDING

TOLLERANZE: SE NON DIVERSAMENTE SPECIFICATO (TOLERANCES, UNLESS OTHERWISE SPECIFIED)      DIAM. ISOLANTE (INS. DIA. RANGE)      RANGO FILO (WIRE RANGE)      SCALA (SCALE)

± 0.3      //      //      2:1

ANGOLI (ANGLES) ± 2°

DIS. 24 Aprile 87 (DR.) D Agostino S.

DESCRIZIONE (DESCRIPTION) SPLASH PROOF CONNECTOR 3-4-5-7 POSITION ASSEMBLY

CONT. (CHK)      APP. (APP.)

LOC. SIZE NUMERO (DWG NO) MASTER      REV. FOGLIO (SHEET) F1 1

I A3 C-281808 F1 1 3

1 FORMA ALTERNATIVA MOLLA PER CONNETTORE 5 E 7 VIE  
(SPRING ALTERNATIVE DESIGN FOR CONNECTOR 5 AND 7 POSITION)

F1	REDRAWN AND REVISED WITH FT00-0080-98	N.P. 12-5 C.I. '98
REV. (REV.)	REVISIONI (REVISION RECORD)	DIS. DATA (DR) (DATE)

DISTRIBUZIONE (PRINT/DIST.)



# CONNETTORE 5 E 7 VIE, (5 & 7 WAYS CONNECTOR)

DEFORMAZIONE MASSIMA 0.05  
(MAX WARPAGE 0.05)

DEFORMAZIONE MASSIMA 0.15 NELLA CONDIZIONE DI MASSIMA LARGH.6.9  
(MAX WARPAGE 0.1 ONLY WITH MAX WIDTH 6.9)

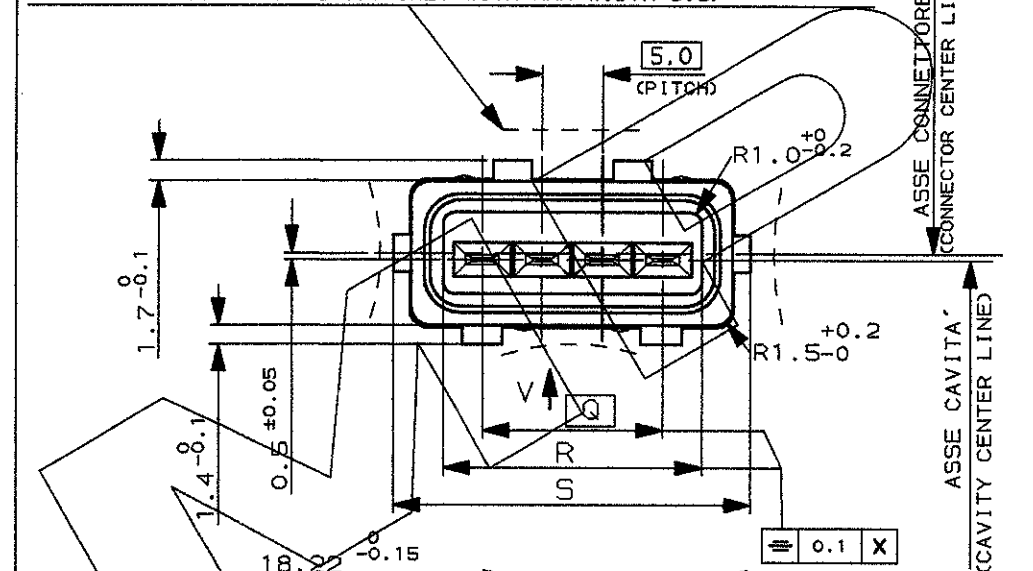
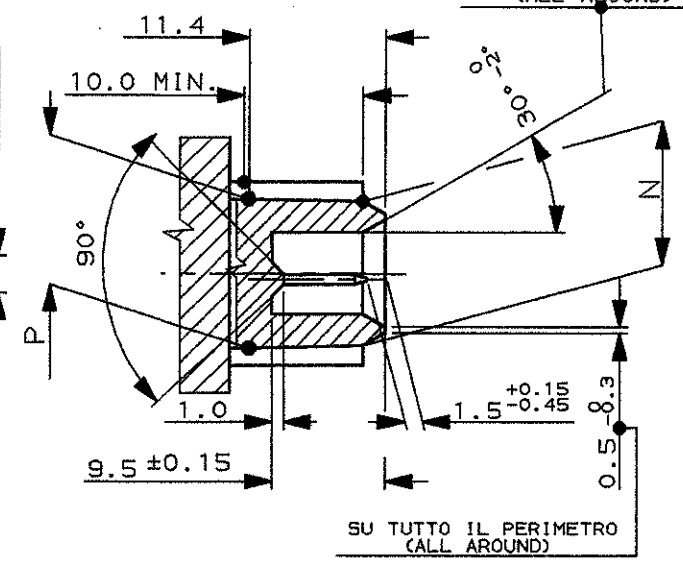
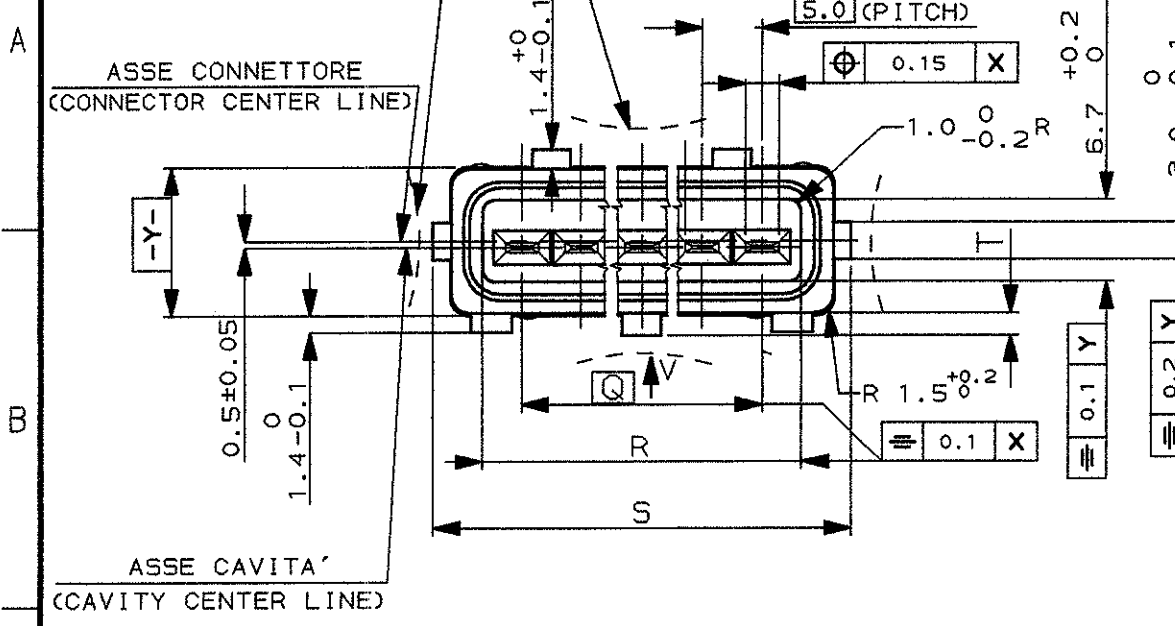
SU TUTTO IL PERIMETRO  
(ALL AROUND)

DEFORMAZIONE MASSIMA 0.1 NELLA CONDIZIONE DI MASSIMA LARGH.6.9  
(MAX WARPAGE 0.1 ONLY WITH MAX WIDTH 6.9)

SCALA NON IMPEGNATIVA  
(DO NOT SCALE)  
DIMENSIONI IN  
(DIMENSIONS IN) mm

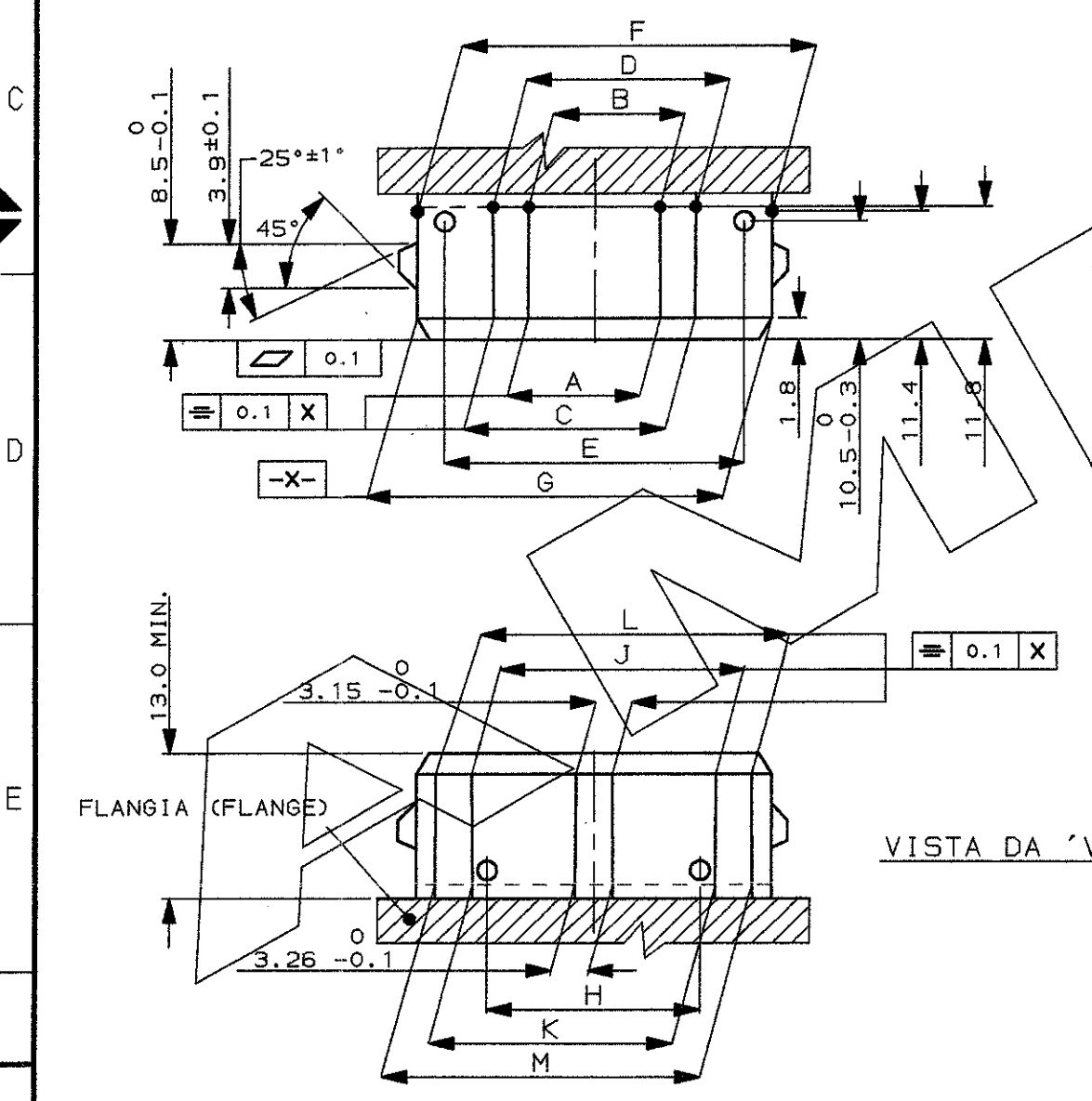
**METRIC**

PROIEZIONE EUROPEA  
(EUROPEAN PROJECTION)



VISTA DA "V"  
(VIEW FROM "V")

# CONNETTORE 4 VIE, (4 WAYS CONNECTOR)



7	16.85	16.74	23.15	23.26	-0.4 36.8	41.82	41.65	26.0	28.8	28.69	35.2	35.31	11.8	11.97	30.0	±0.2 36.8	44.85	1.85
5	11.85	11.74	18.15	18.26	-0.3 26.8	31.82	31.65	19.0	21.8	21.69	28.2	28.31	11.8	11.97	20.0	±0.2 26.8	34.85	1.75
4	7.95	7.79	13.99	14.1	-0.3 18.0	26.82	26.65	//	//	//	//	//	11.85	12.2	15.0	±0.15 21.8	29.85	//
N°VIE (POS.)	+0.1 0	+0.1 0	0 -0.15	0 -0.15		0 -0.15	0 -0.15	0 -0.3	+0.15 0	+0.15 0	0 -0.15	0 -0.15	0 -0.2	0 -0.2			0 -0.2	0 -0.1

FINITURA / COLORE (FINISH / COLOUR) MATERIALE (MATERIAL) NUMERO (PART NUMBER)

CUSTOMER DWG. FOR REFERENCE ONLY DISEGNO PER CLIENTE SOLO PER RIFERIMENTO

THIS DRAWING IS UNPUBLISHED RELEASE FOR PUBLICATION 19

©COPYRIGHT 1986 BY AMP INCORPORATED, HARRISBURG, PA. ALL INTERNATIONAL RIGHT RESERVED. AMP PRODUCTS MAY BE COVERED BY U.S. AND FOREIGN PATENT AND/OR PATENT PENDING

TOLLERANZE, SE NON DIVERSAMENTE SPECIFICATO (TOLERANCES, UNLESS OTHERWISE SPECIFIED)

DIAM. ISOLANTE (INS. DIA. RANGE) RANGO FILO (WIRE RANGE) SCALA (SCALE)

± 0.3 // // //

ANGOLI (ANGLES) ± 2°

DIS. (DR.)

DESCRIZIONE (DESCRIPTION) SPLASH PROOF CONNECTOR 3-4-5-7 POSITION ASS'Y

CONT. (CHK) -

LOC. SIZE NUMERO (DWG NO) REV. FOGLIO (SHEET)

APP. (APP.) -

SEE SHEET 1 OF 3

PER DIMENSIONE "TAB" VEDERE FOGLIO 2 DI 3.  
(FOR "TAB" DIMENSIONS SEE SHEET 2 OF 3)

REV. (REV.) REVISIONI (REVISION RECORD) DIS. DATA (DR) (DATE)

IA3C-281808 / 3 DI 3

## X-ON Electronics

Largest Supplier of Electrical and Electronic Components

*Click to view similar products for [Automotive Connectors](#) category:*

*Click to view products by [TE Connectivity](#) manufacturer:*

Other Similar products are found below :

[003-018-000](#) [60403001](#) [60993906-B](#) [M902-2131](#) [M902-2161](#) [72.330.1035.1](#) [73.353.4028.0](#) [F119300-B](#) [F166900](#) [F258300-B](#) [F358300-B](#)  
[F407400](#) [F444110](#) [F487000](#) [F509500B-B](#) [827153-1](#) [8N1515-32-24P](#) [9-1326729-8](#) [925474-1](#) [928905-1](#) [964562-4](#) [968782-1](#) [GT17SA-8DS-](#)  
[HU](#) [98891-1012](#) [98947-1016](#) [12004147](#) [12004475-L](#) [12010290](#) [12010309-B](#) [12015454](#) [12020219-B](#) [12020308](#) [12041318-B](#) [12052225-L](#)  
[12052466](#) [12059125](#) [12064869](#) [12004327-B](#) [12010503-B](#) [12015308](#) [12015384](#) [12015909](#) [1-21030-1](#) [12041254](#) [12041318](#) [12047946-B](#)  
[12047957](#) [12047957-L](#) [12059473](#) [12066261](#)