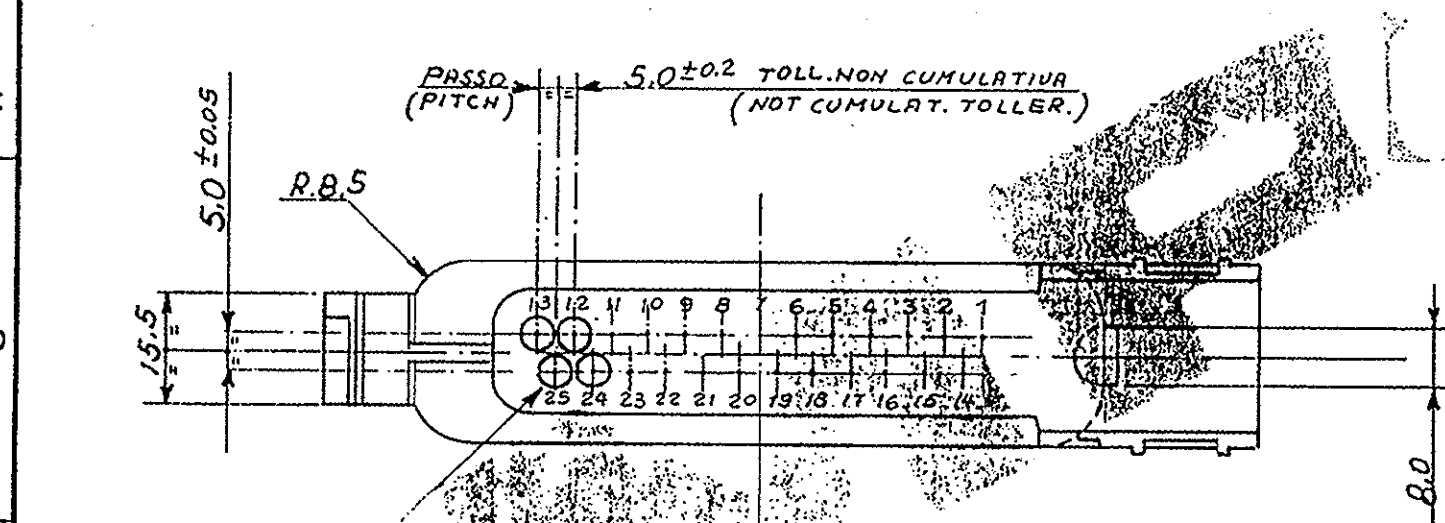
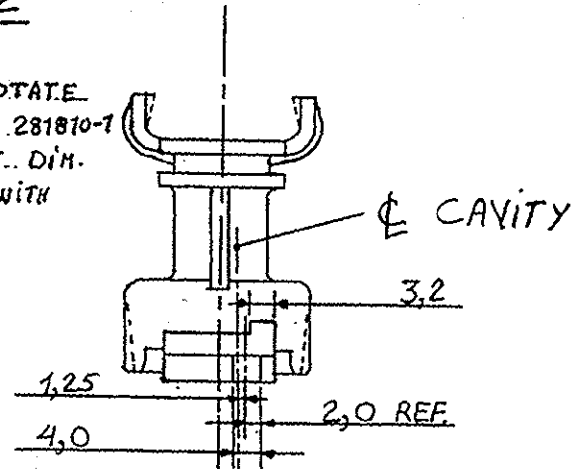


GUARNIZIONE PRE ASSEMBLATA
 (PRE ASSEMBLED SEALING)



281810-2

PARTI NON QUOTATE IN COMUNE CON 281810-1 (PARTS WITHOUT DIM. ARE COMMON WITH 281810-1)



| | | |
|-------------------------------------|------------------------|----------------------|
| NERO (BLACK) | PA.CARIC. (G.F. PA 66) | 281810-2 |
| NERO (BLACK) | PA.CARIC. (G.F. PA 66) | 281810-1 |
| FINITURA / COLORE (FINISH / COLOUR) | MATERIALE (MATERIAL) | NUMERO (PART NUMBER) |

CUSTOMER DWG. FOR REFERENCE ONLY **DISEGNO PER CLIENTE SOLO PER RIFERIMENTO**

| REV. | REVISIONI (REVISION RECORD) | DATA (DATE) |
|------|-----------------------------|-------------|
| D | REVISATO PER ET00-0035-04 | 06-3-2004 |
| C | REVISATO PER ET00-0251-02 | 10-02-2003 |
| B | ADDETTA...-2 (RELEASED) | 07-07-97 |
| A | PRELIMINARE FOR...-2 | 07-07-97 |
| 6 | REVISIONATO | 07-07-97 |
| 5 | REVISIONATO | 07-07-97 |
| 4 | REVISIONATO | 07-07-97 |
| 3 | Aggiorn. foglio 2 | 07-07-97 |
| 2 | N° DIS. ERA IA-86-5005 | 07-07-97 |
| 1 | REVISIONATO E RIDISEGN. | 07-07-97 |

| | | | |
|--|----------------------------------|-------------------------|---------------|
| THIS DRAWING IS UNPUBLISHED | | RELEASE FOR PUBLICATION | 18 |
| © COPYRIGHT 1986 BY AMP INCORPORATED, HARRISBURG, PA ALL INTERNATIONAL RIGHT RESERVED AMP PRODUCTS MAY BE COVERED BY U.S. AND FOREIGN PATENT AND/OR PATENT PENDING | | | |
| TOLLERANZE: SE NON DIVERSAMENTE SPECIFICATO (TOLERANCES UNLESS OTHERWISE SPECIFIED) | DIAM. ISOLANTE (INS. DIA. RANGE) | RANGO FILO (WIRE RANGE) | SCALA (SCALE) |
| ± 0.3 | 11 | 11 | 1:1 |

| | | | |
|---------------------------|-----------------|---|----------------|
| AMP | | AMP ITALIA S.p.A. Corso F.lli Cervi, 16 COLLEGNO (TORINO) | |
| DESCRIZIONE (DESCRIPTION) | | 25 POS. SPLASH PROOF | |
| CONT. (CHK) | | 17 LUGLIO 1986 | |
| APP. (APP.) | | CONN. FOR JUNIOR TIMER C-90° VERSION | |
| LOC. SIZE | NUMERO (DWG NO) | REV. | FOLGIO (SHEET) |
| IA3 | C-281810 | D | 1 OF 2 |

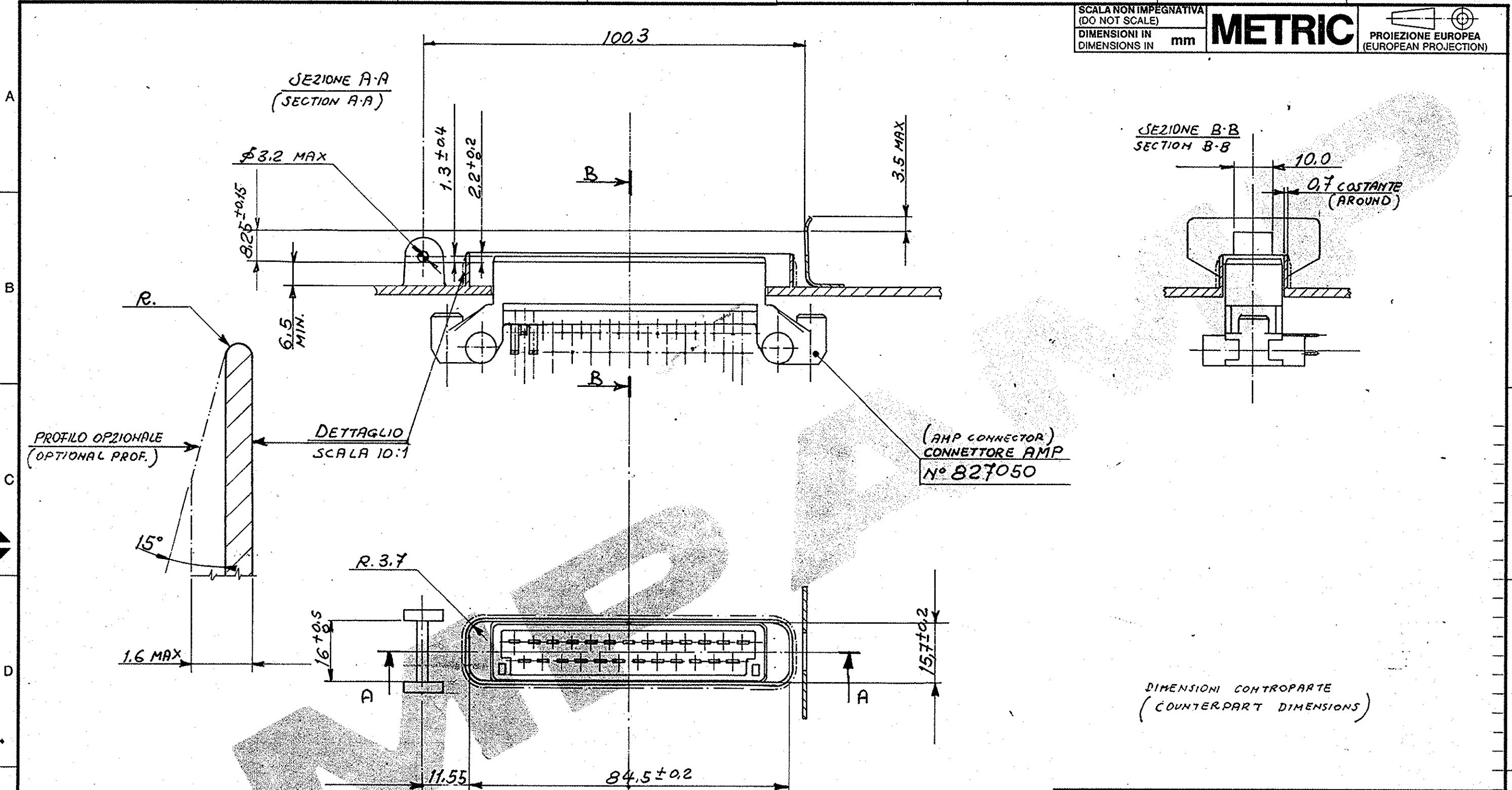
CAVITÀ ADATTA PER CONTATTI JUNIOR TIMER 281822-281823
 (CAVITY SUITABLE FOR CONTACTS JUNIOR TIMER AND/OR J.P.T.)
 182730 - 182732 - 182731

CON GUARNIZIONI
 WITH RUBBER SEALS)

SCALA NON IMPEGNATIVA
(DO NOT SCALE)
DIMENSIONI IN mm
DIMENSIONS IN mm

METRIC

PROIEZIONE EUROPEA
(EUROPEAN PROJECTION)



| FINITURA / COLORE (FINISH / COLOUR) | MATERIALE (MATERIAL) | NUMERO (PART NUMBER) |
|--|--|--|
| CUSTOMER DWG. FOR REFERENCE ONLY | | DISEGNO PER CLIENTE SOLO PER RIFERIMENTO |
| THIS DRAWING IS UNPUBLISHED | | RELEASE FOR PUBLICATION 19 |
| © COPYRIGHT 19 BY AMP INCORPORATED, HARRISBURG, PA ALL INTERNATIONAL RIGHT RESERVED AMP PRODUCTS MAY BE COVERED BY U.S. AND FOREIGN PATENT AND/OR PATENT PENDING | | |
| TOLLERANZE: SE NON DIVERSAMENTE SPECIFICATO (TOLERANCES UNLESS OTHERWISE SPECIFIED) | DIAM. ISOLANTE (INS. DIA. RANGE) | RANGO FILO (WIRE RANGE) |
| ± 0,3 | 1" | 1:1 |
| ANGOLI (ANGLES) ± 2° | AMP AMP ITALIA S.p.A. Corso F.lli Cervi, 15 COLLEGNO (TORINO) | |
| DIS. (DR.) | DESCRIZIONE (DESCRIPTION) 25 POS. SPLASH PROOF (WITH OUT SCAL) | |
| CONT. (CHK) | CONN. FOR JUNIOR TIMERC. 90° VERSION | |
| 3 8.25 ± 0.15 era 8.25 ± 0.1 | LOC. SIZE | NUMERO (DWG NO) |
| REV. (REVISION RECORD) | DIS. DATA (DR) (DATE) | APP. (APP.) |
| IA3 | C-281810 | D 2-2 |

DISTRIBUZIONE
(PRINT DIST.)

X-ON Electronics

Largest Supplier of Electrical and Electronic Components

Click to view similar products for [Automotive Connectors](#) category:

Click to view products by [TE Connectivity](#) manufacturer:

Other Similar products are found below :

[003-018-000](#) [60403001](#) [60993906-B](#) [M902-2131](#) [M902-2161](#) [72.330.1035.1](#) [73.353.4028.0](#) [F119300-B](#) [F166900](#) [F258300-B](#) [F358300-B](#)
[F407400](#) [F444110](#) [F487000](#) [F509500B-B](#) [827153-1](#) [8N1515-32-24P](#) [9-1326729-8](#) [925474-1](#) [928905-1](#) [964562-4](#) [968782-1](#) [GT17SA-8DS-](#)
[HU](#) [98891-1012](#) [98947-1016](#) [12004147](#) [12004475-L](#) [12010290](#) [12010309-B](#) [12015454](#) [12020219-B](#) [12020308](#) [12041318-B](#) [12052225-L](#)
[12052466](#) [12059125](#) [12064869](#) [12004327-B](#) [12010503-B](#) [12015308](#) [12015384](#) [12015909](#) [1-21030-1](#) [12041254](#) [12041318](#) [12047946-B](#)
[12047957](#) [12047957-L](#) [12059473](#) [12066261](#)