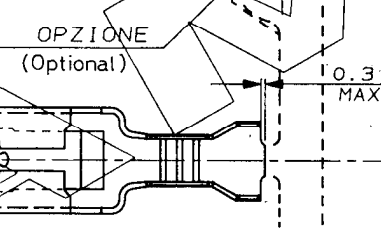
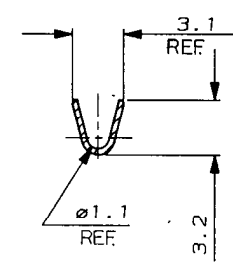
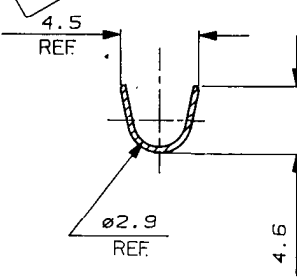
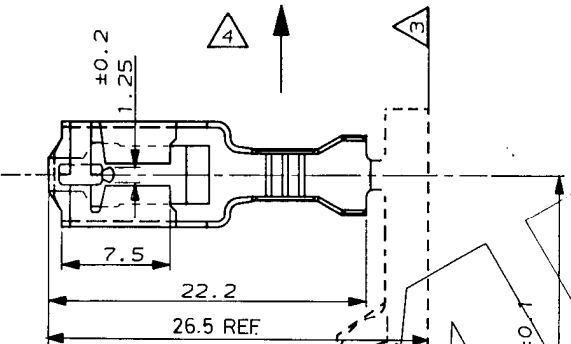


SEZIONE A:A

SEZIONE B:B



- NOTE:
- 1 DA MISURARSI CON LA MOLLA IN POSIZIONE ORIZZONTALE (Measured when spring is horizontal)
 - 2 ADATTO PER TERMINALE MASCHIO CON FORO, SECONDO TABELLA FIAT 91319 FOGLIO 2 (TIPO A) (Suitable for Tab 0.8 THK with hole)
 - 3 MASSIMA SCIABOLATURA AMMESSA: 18 mm PER METRO (Camber: 18mm/m)
 - 4 SENSO DI USCITA DEL TERMINALE DALLA BOBINA. (P.N. -2) (Direction off top of reel)

STAGNATO (Tin Plated)	(Brass) OTTONE	281827-2
---	(Brass) OTTONE	281827-1
FINITURA / COLORE (FINISH / COLOUR)	MATERIALE (MATERIAL)	NUMERO (PART NUMBER)

CUSTOMER DWG. FOR REFERENCE ONLY DISEGNO PER CLIENTE SOLO PER RIFERIMENTO

THIS DRAWING IS UNPUBLISHED RELEASE FOR PUBLICATION

TOLLERANZE, SE NON DIVERSAMENTE SPECIFICATO (TOLERANCES, UNLESS OTHERWISE SPECIFIED)	DIAM. ISOLANTE (INS. DIA. RANGE)	RANGO FILO (WIRE RANGE)	SCALA (SCALE)
±0.3	2.3-3.3 mm	0.5-1.5 mm ²	-
ANGOLI (CANNLED) ± 2°	TE Connectivity DESCRIZIONE (DESCRIPTION) (MARK I) POSITIVE LOCK REC.		
DIS. (DR.)			

A2	ECR-12-019087	PKS	02NOV 2012	CONT. (CHK)	-
A1	REVISED PER ECO-11-005924	RK	09APR 11	APP. (APP.)	-
REV.	REVISIONI (REVISION RECORD)	DIS. DATA (DR) (DATE)			

LOC. SIZE	NUMERO (DWG NO)	REV.	FOGLIO (SHEET)
A3	C-281827	A2	- DI - COP.

DISTRIBUZIONE (PRINT DIST.)

X-ON Electronics

Largest Supplier of Electrical and Electronic Components

Click to view similar products for [Terminals](#) category:

Click to view products by [TE Connectivity](#) manufacturer:

Other Similar products are found below :

[00-054007-01074-6](#) [00-054007-70206-1](#) [00-054007-70210-8](#) [00-054007-70217-7](#) [00-054007-70226-9](#) [00-054007-70228-3](#) [00-054007-70248-1](#) [00-054007-70256-6](#) [00-054007-70301-3](#) [00-054007-70316-7](#) [00-054007-49560-4](#) [00-054007-70209-2](#) [00-054007-70225-2](#) [00-054007-70227-6](#) [00-054007-70231-3](#) [00-054007-70241-2](#) [00-054007-70242-9](#) [00-054007-70244-3](#) [00-054007-70246-7](#) [00-054007-70263-4](#) [00-054007-70288-7](#) [00-054007-70290-0](#) [00-054007-70300-6](#) [00-054007-70304-4](#) [01-2065-1-0216](#) [01-2900-1-04412](#) [00581P0075](#) [600TS-10](#) [60205-1](#) [604200-1](#) [605601-1](#) [60598-1-CUT-TAPE](#) [61314-6-C](#) [61810-3](#) [61-S](#) [61-SN](#) [626-0194](#) [62-NBM-A](#) [62-SN](#) [62-SP](#) [63-S](#) [640179-1](#) [M55155/059I03](#) [M55155/079C01](#) [M55155/099H02](#) [M55155/109H01](#) [M55155/109H02](#) [M55155/12XH05](#) [M55155/16XH02](#) [M55155/29-5S](#)