

THIS DRAWING IS UNPUBLISHED.
DIFFUSION RESTREINTE

RELEASED FOR PUBLICATION
LIBRE A LA DIFFUSION
ALL RIGHTS RESERVED.
TOUS DROITS RESERVES

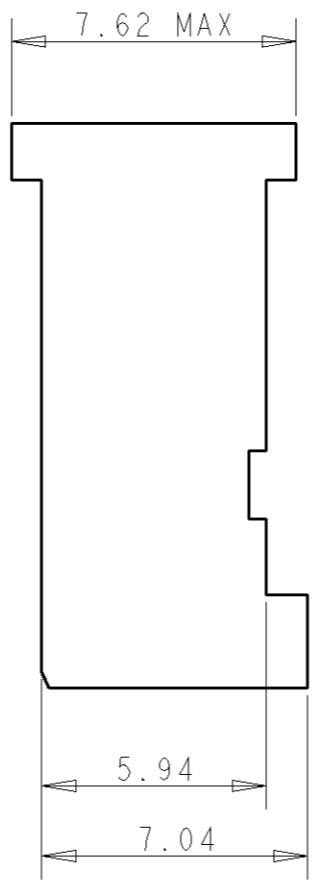
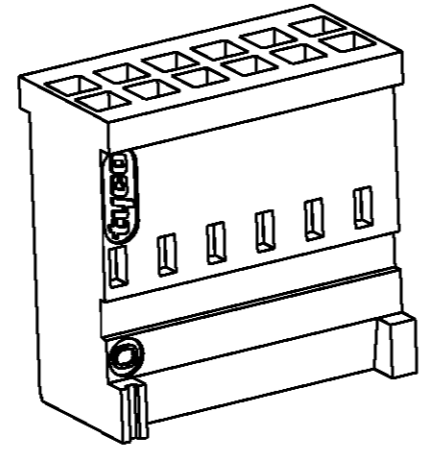
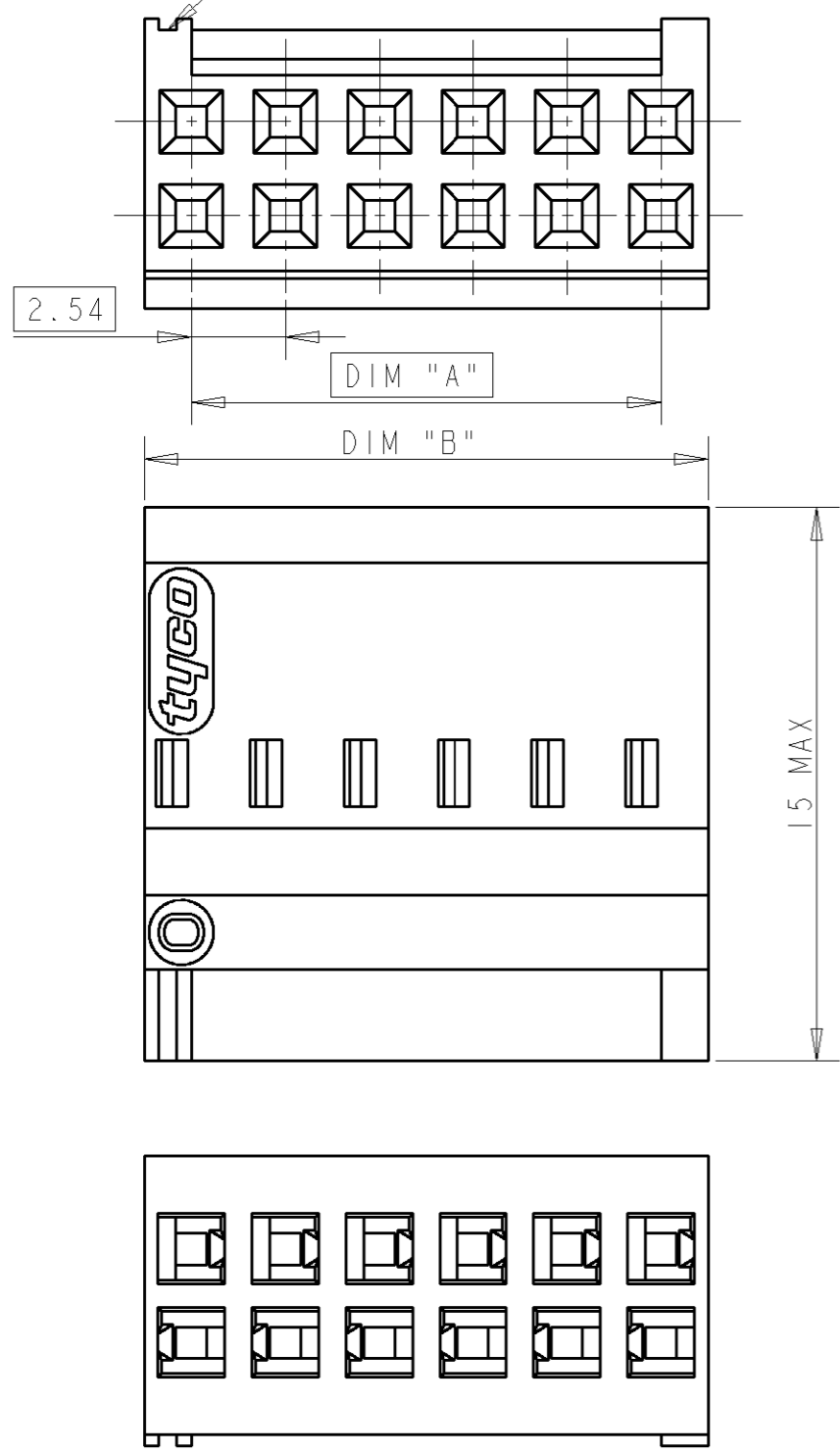
LOC F
DIST 00

REVISIONS

| P | LTR REV | DESCRIPTION MODIFICATIONS | DATE | DWN DESS. | APVD APP. |
|----|---------|---------------------------|---------|-----------|-----------|
| C1 | | REVISED PER ECO-11-005150 | 19APR11 | RK | HMR |

SCALE 3:1

SEE NOTE 2



| | | | |
|---------|---------|------------|-------------------------|
| 45.72 | 43.18 | 2x18 | 1-281839-8 |
| 38.10 | 35.56 | 2x15 | 1-281839-5 |
| 30.48 | 27.94 | 2x12 | 1-281839-2 |
| 25.40 | 22.86 | 2x10 | 1-281839-0 |
| 22.86 | 20.32 | 2x9 | 0-281839-9 |
| 20.32 | 17.78 | 2x8 | 0-281839-8 |
| 17.78 | 15.24 | 2x7 | 0-281839-7 |
| 15.24 | 12.70 | 2x6 | 0-281839-6 |
| 12.70 | 10.16 | 2x5 | 0-281839-5 |
| 10.16 | 7.62 | 2x4 | 0-281839-4 |
| 7.62 | 5.08 | 2x3 | 0-281839-3 |
| DIM "B" | DIM "A" | NR OF POS. | TE CONNECTIVITY PART NO |

NOTES:

- MATERIAL DESCRIPTION: GLASS FILLED PBT, UL 94-V0, COLOR BLUE
- IDENTIFICATION OF CONTACT CAVITY N° 1
- PRODUCT ACCORDING TO IEC 603-8
- ACCEPTS CRIMP CONTACTS 188746-1 O R 188744-1

| | | | | | | | |
|-------------------------------|--|--|--|--|-------------------|--|---------------------------|
| DIMENSIONS: mm | | TOLERANCES UNLESS OTHERWISE SPECIFIED: TOLERANCES NON SPECIFIEES (SUIV NB DE DECIMALES): 0 PLC/DEC: ±0.2 1 PLC/DEC: ±0.2 2 PLC/DEC: ±0.2 3 PLC/DEC: ± 4 PLC/DEC: ± ANGLES ±1° | | DWN/DESSINE 22JUL2003 T. CORRIOU CHK/VERIFIE 22JUL2003 Y. PETRONIN APVD/APPROUVE 22JUL2003 M. FURIO | | TE Connectivity | |
| MATERIAL /MATIERE | | FINISH /FINITION | | PRODUCT SPEC SPEC. PRODUIT APPLICATION SPEC SPEC. APPLICATION WEIGHT MASSE APPROX. - | | NAME TITRE DOUBLE ROW HOUSING FOR HE 13-14 COSI CONTACT | |
| | | | | SIZE FORMAT A3 | CAGE CODE 00779 | DRAWING NO No PLAN C-281839 | RESTRICTED TO RESERVE A - |
| CUSTOMER DRAWING /PLAN CLIENT | | | | UNTOUEMENT POUR REFERENCE | SCALE ECHELLE 5:1 | SHEET FEUILLE | OF DE REV C1 |

X-ON Electronics

Largest Supplier of Electrical and Electronic Components

Click to view similar products for [Headers & Wire Housings](#) category:

Click to view products by [TE Connectivity](#) manufacturer:

Other Similar products are found below :

[892-18-020-10-001101](#) [58102-G61-06LF](#) [582553-1](#) [0009485154](#) [009176003701906](#) [0050291907](#) [LY20-4P-DT1-P1E-BR](#) [02.125.8002.8](#)
[609-3404](#) [61062-3](#) [61082-181009](#) [622-3653LF](#) [63453-116](#) [636-1030](#) [636-1427](#) [636-3427](#) [636-4007](#) [641938-9](#) [641991-4](#) [644827-2](#) [65817-010LF](#) [65817-015LF](#) [65863-015LF](#) [66207-023LF](#) [67095-007LF](#) [67601157](#) [68645-018](#) [68648-049](#) [70.362.1628.0](#) [70-4210](#) [70-4226B](#) [70-4853B](#) [707-5020](#) [707-5028](#) [71.350.2428.0](#) [71918-208LF](#) [71961-016LF](#) [733-134](#) [733-162](#) [754199-000](#) [760-3052](#) [787-8014-00](#) [79531-3000](#)
[FCN-360C032-B](#) [FCN-367T-T012/H](#) [FCN-723D010/2](#) [80.063.4001.1](#) [800-90-001-10-001000](#) [800-90-010-10-002000](#) [801-43-002-10-013000](#)