

THIS DRAWING IS UNPUBLISHED.
DIFFUSION RESTREINTE

RELEASED FOR PUBLICATION
LIBRE A LA DIFFUSION

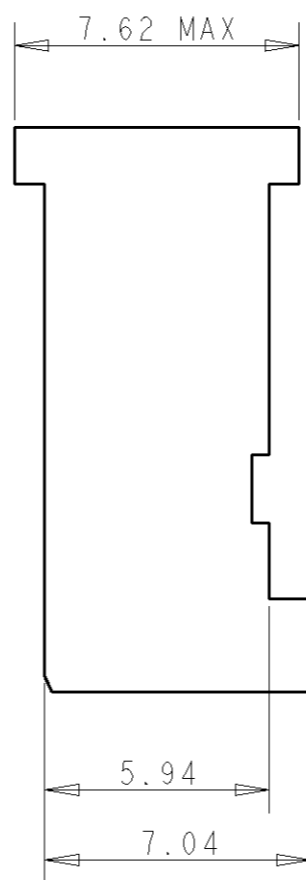
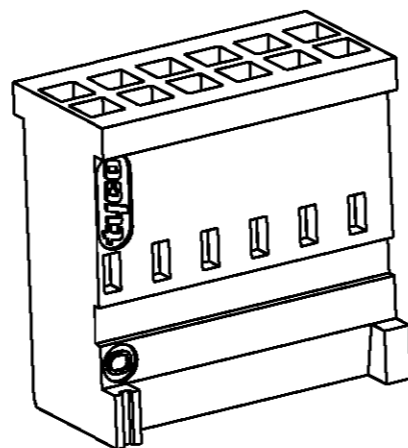
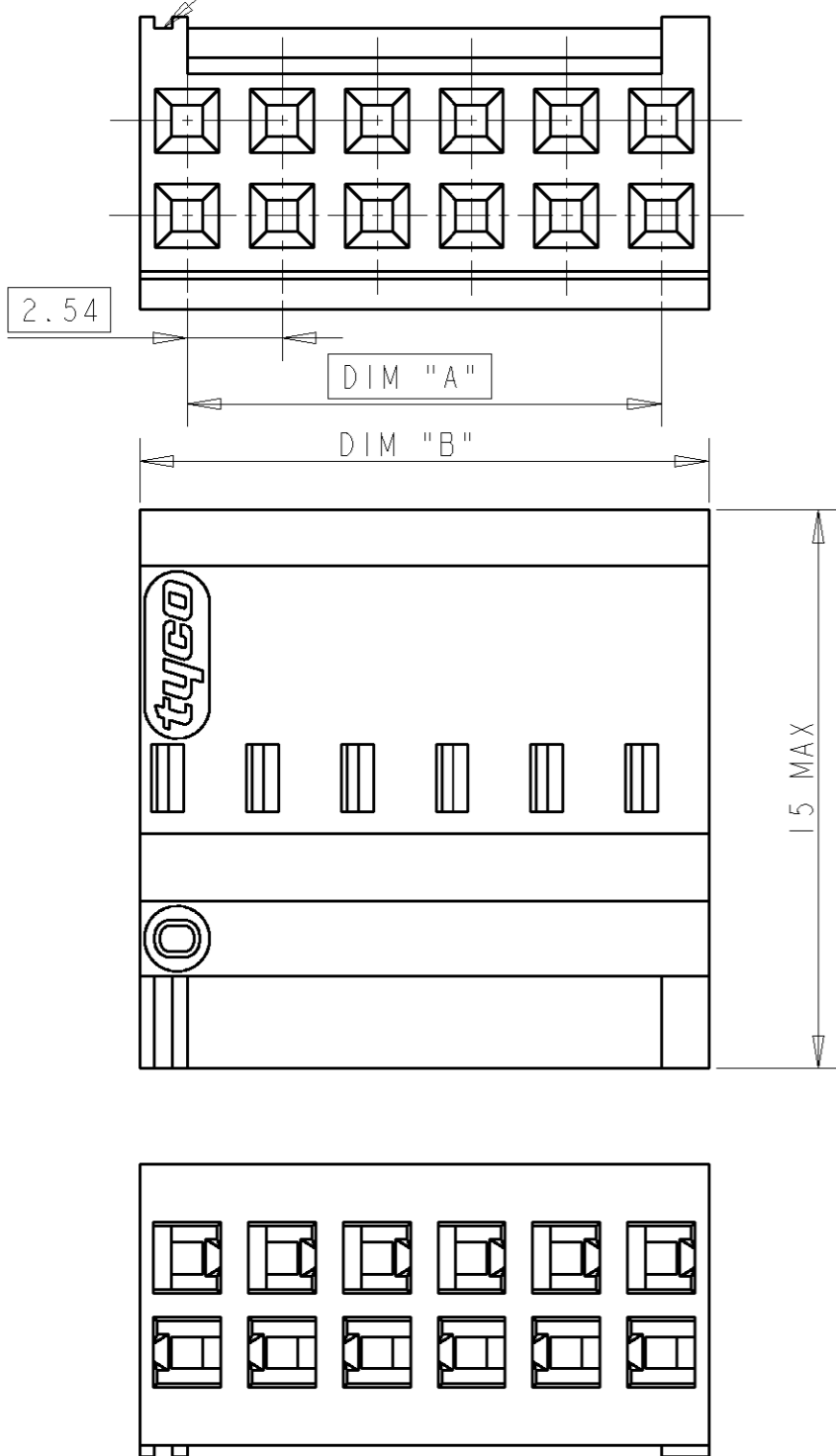
ALL RIGHTS RESERVED.
TOUS DROITS RESERVES

© COPYRIGHT

LOC	DIST	REVISIONS					
F	00	P	LTR REV	DESCRIPTION MODIFICATIONS	DATE	DWN DESS.	APVD APP.
		C1		REVISED PER ECO-11-005150	19APR11	RK	HMR

SCALE 3:1

SEE NOTE 2



45.72	43.18	2x18	1-281839-8
38.10	35.56	2x15	1-281839-5
30.48	27.94	2x12	1-281839-2
25.40	22.86	2x10	1-281839-0
22.86	20.32	2x9	0-281839-9
20.32	17.78	2x8	0-281839-8
17.78	15.24	2x7	0-281839-7
15.24	12.70	2x6	0-281839-6
12.70	10.16	2x5	0-281839-5
10.16	7.62	2x4	0-281839-4
7.62	5.08	2x3	0-281839-3
DIM "B"	DIM "A"	NR OF POS.	TE CONNECTIVITY PART NO

NOTES:

- MATERIAL DESCRIPTION: GLASS FILLED PBT, UL 94-V0, COLOR BLUE
- IDENTIFICATION OF CONTACT CAVITY N° 1
- PRODUCT ACCORDING TO IEC 603-8
- ACCEPTS CRIMP CONTACTS 188746-1 O R 188744-1

DIMENSIONS: mm 		TOLERANCES UNLESS OTHERWISE SPECIFIED: TOLERANCES NON SPECIFIEES (SUIV NB DE DECIMALES): 0 PLC/DEC: ±0.2 1 PLC/DEC: ±0.2 2 PLC/DEC: ±0.2 3 PLC/DEC: ± 4 PLC/DEC: ± ANGLES ±1°		DWN/DESSINE 22JUL2003 T. CORRIOU CHK/VERIFIE 22JUL2003 Y. PETRONIN APVD/APPROUVE 22JUL2003 M. FURIO		TE Connectivity	
MATERIAL /MATIERE		FINISH /FINITION		PRODUCT SPEC SPEC. PRODUIT APPLICATION SPEC SPEC. APPLICATION		NAME TITRE DOUBLE ROW HOUSING FOR HE 13-14 COSI CONTACT	
				WEIGHT MASSE APPROX. -		SIZE FORMAT A3 CAGE CODE 00779 DRAWING NO No PLAN C-281839	
CUSTOMER DRAWING /PLAN CLIENT				UNIQUEMENT POUR REFERENCE		RESTRICTED TO RESERVE A SCALE ECHELLE 5:1 SHEET FEUILLE OF DE REV C1	

X-ON Electronics

Largest Supplier of Electrical and Electronic Components

Click to view similar products for [Headers & Wire Housings](#) category:

Click to view products by [TE Connectivity](#) manufacturer:

Other Similar products are found below :

[892-18-020-10-001101](#) [58102-G61-06LF](#) [582553-1](#) [0009485154](#) [009176003701906](#) [0050291907](#) [LY20-4P-DT1-P1E-BR](#) [02.125.8002.8](#)
[609-3404](#) [61062-3](#) [61082-181009](#) [622-3653LF](#) [63453-116](#) [636-1030](#) [636-1427](#) [636-3427](#) [636-4007](#) [641938-9](#) [641991-4](#) [644827-2](#) [65817-](#)
[010LF](#) [65817-015LF](#) [65863-015LF](#) [66207-023LF](#) [67095-007LF](#) [67601157](#) [68645-018](#) [68648-049](#) [70.362.1628.0](#) [70-4210](#) [70-4226B](#) [70-](#)
[4853B](#) [707-5020](#) [707-5028](#) [71.350.2428.0](#) [71918-208LF](#) [71961-016LF](#) [733-134](#) [733-162](#) [754199-000](#) [760-3052](#) [787-8014-00](#) [79531-3000](#)
[FCN-360C032-B](#) [FCN-367T-T012/H](#) [FCN-723D010/2](#) [80.063.4001.1](#) [800-90-001-10-001000](#) [800-90-010-10-002000](#) [801-43-002-10-013000](#)