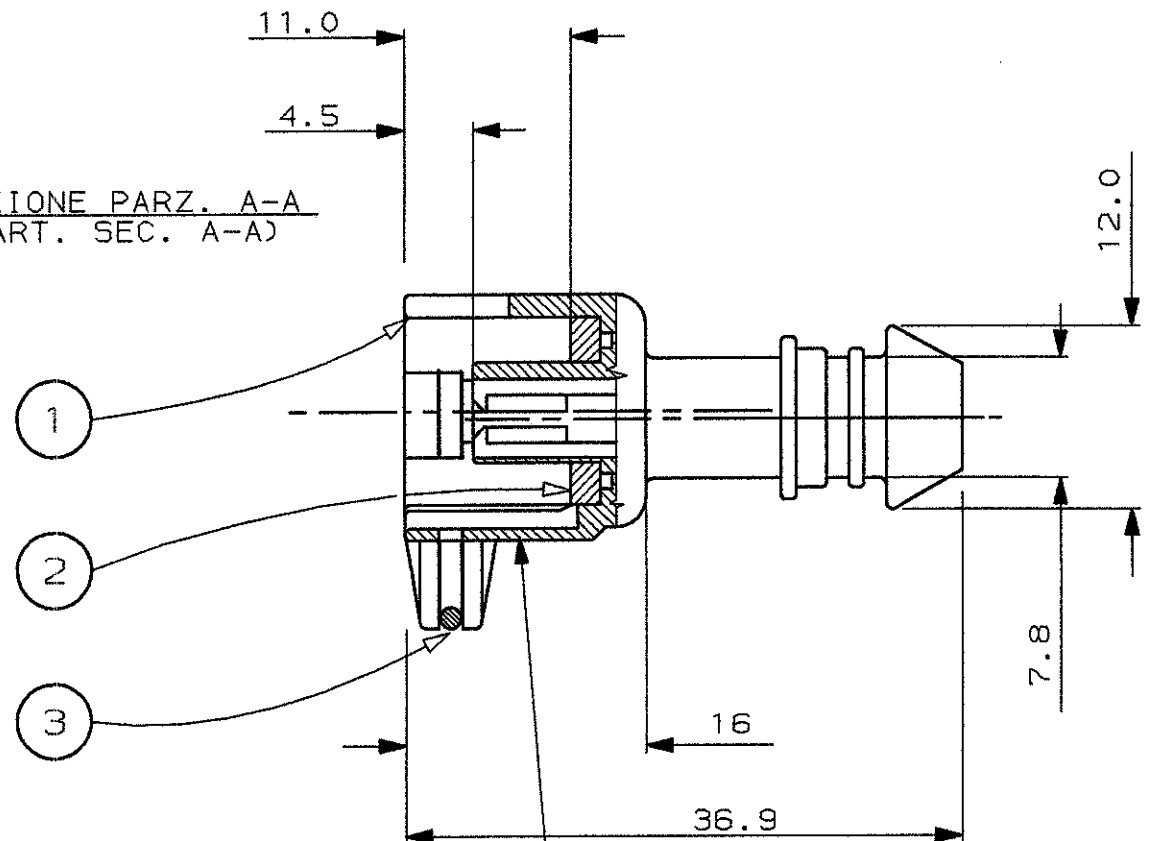
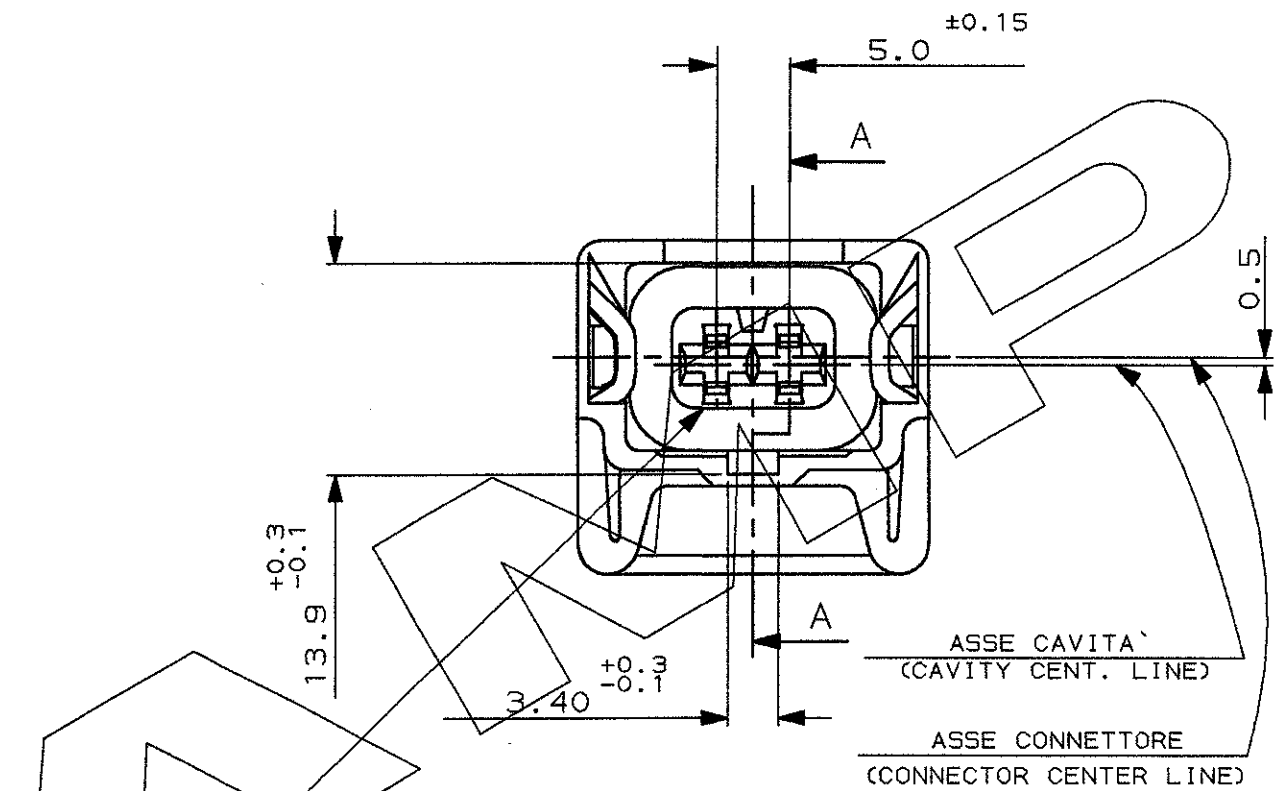
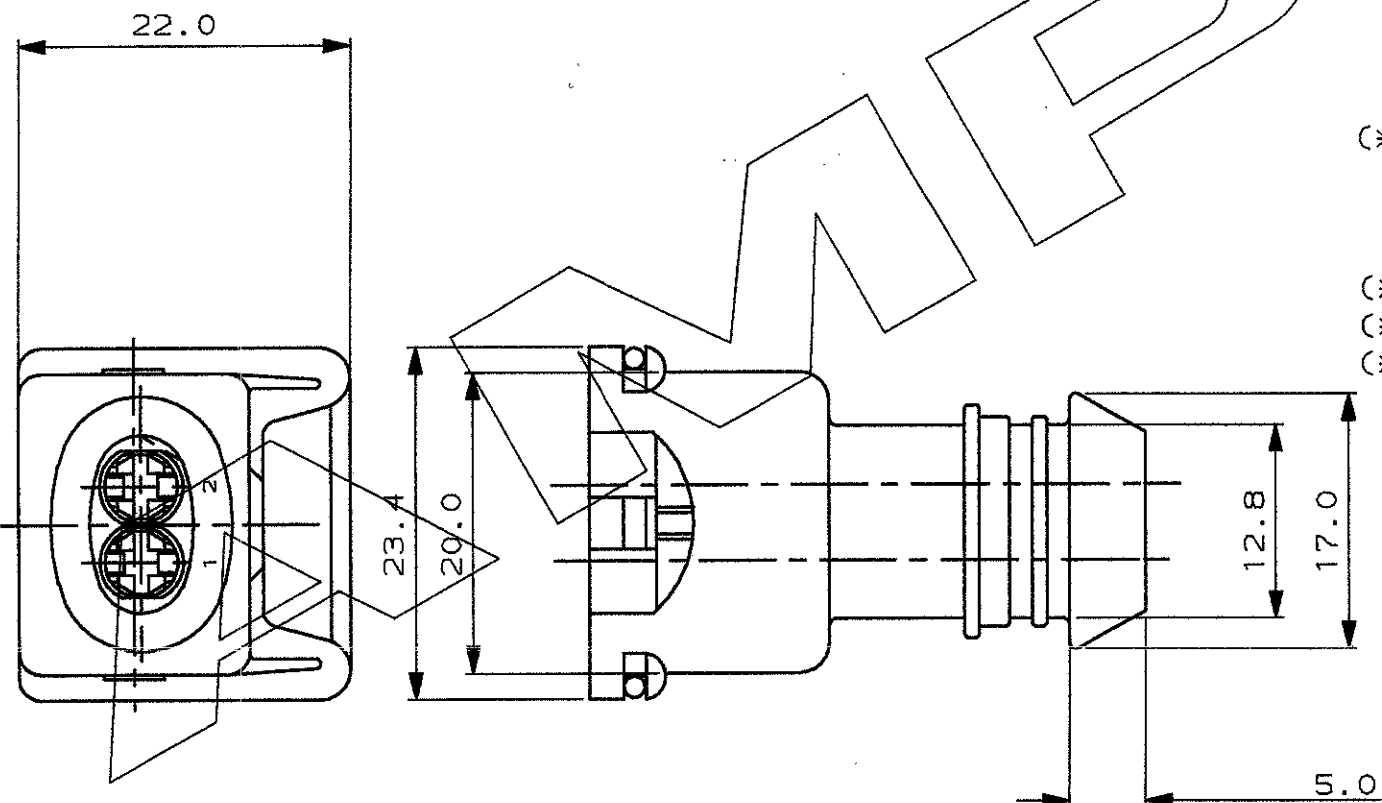


SEZIONE PARZ. A-A
 (PART. SEC. A-A)



LOGO AMP
 (AMP TRADE MARK)



CAVITA' ADATTA PER CONTATTO JUNIOR TIMER LANCELESS P/N 281822
 281823, CON GUARNIZIONE PASSACAVO P/N 182730, OPPURE JUNIOR
 POWER TIMER CON GUARNIZIONE PASSACAVO.
 (CAVITY SUITABLE FOR JUNIOR TIMER LANCELESS P/N 281822 AND
 282823, WITH SINGLE WIRE SEAL P/N 182730, OR JUNIOR POWER
 TIMER CONTACT WITH SINGLE WIRE SEAL).

(*)	ROSSO (RED)	281844-8			
	GIALLO (YELLOW)	281844-7			
	MARRONE (BROWN)	281844-6			
	BLU (BLUE)	281844-5			
(*)	VERDE (GREEN)	281844-4			
(*)	NATURALE (NATUR.)	281844-3	3	///	ACCIAIO INOX (STAINLESS STEEL) MOLLA (SPRING)
(*)	GRIGIO (GREY)	281844-2	2	NATURALE (CLEAR)	GOMMA (RUBBER) GUARNIZ. (SEALING)
	NERO (BLACK)	281844-1	1	NERO (BLACK)	PA 6.6 CARIC. VETRO (PA 6.6 G.F.) BLOCCHETTO (HSG)
	COLORE (COLOR)	NUMERO (PART. N°)	N° (ITEM)	FINITURA / COLORE (FINISH / COLOUR)	MATERIALE (MATERIAL) DESCRIZIONE (DESCRIPTION)

(*) OBSOLETE

CUSTOMER DWG. FOR REFERENCE ONLY **DISEGNO PER CLIENTE SOLO PER RIFERIMENTO**

~~THIS DRAWING IS UNPUBLISHED~~ RELEASE FOR PUBLICATION 19

© COPYRIGHT 1985 BY AMP INCORPORATED, HARRISBURG, PA. ALL INTERNATIONAL RIGHTS RESERVED. AMP PRODUCTS MAY BE COVERED BY U.S. AND FOREIGN PATENT AND/OR PATENT PENDING

TOLLERANZE; SE NON DIVERSAMENTE SPECIFICATO (TOLERANCES, UNLESS OTHERWISE SPECIFIED)	DIAM. ISOLANTE (INS. DIA. RANGE)	RANGO FILO (WIRE RANGE)	SCALA (SCALE)
± 0.3	///	///	2:1

ANGOLI (ANGLES) ± 2°

DIS. 16 MARZO 87 (DR.) D Agostino S.

DESCRIZIONE (DESCRIPTION) **SPLASH PROOF CONNECTOR 2 POSITION ASSEMBLY**

CONT. (CHK) APP. (CAPP.)

LOC. SIZE NUMERO (DWG NO) REV. FOGLIO (SHEET)

IA3C-281844 F1 1 DI 2

1) PER DIMENSIONE CONTROPARTE MASCHIO VEDERE FOGLIO 2 DI 2.
 (FOR PIN HEADER DIMENSIONS SEE SHEET 2 OF 2)

DISTRIBUZIONE (PRINT DIST.)

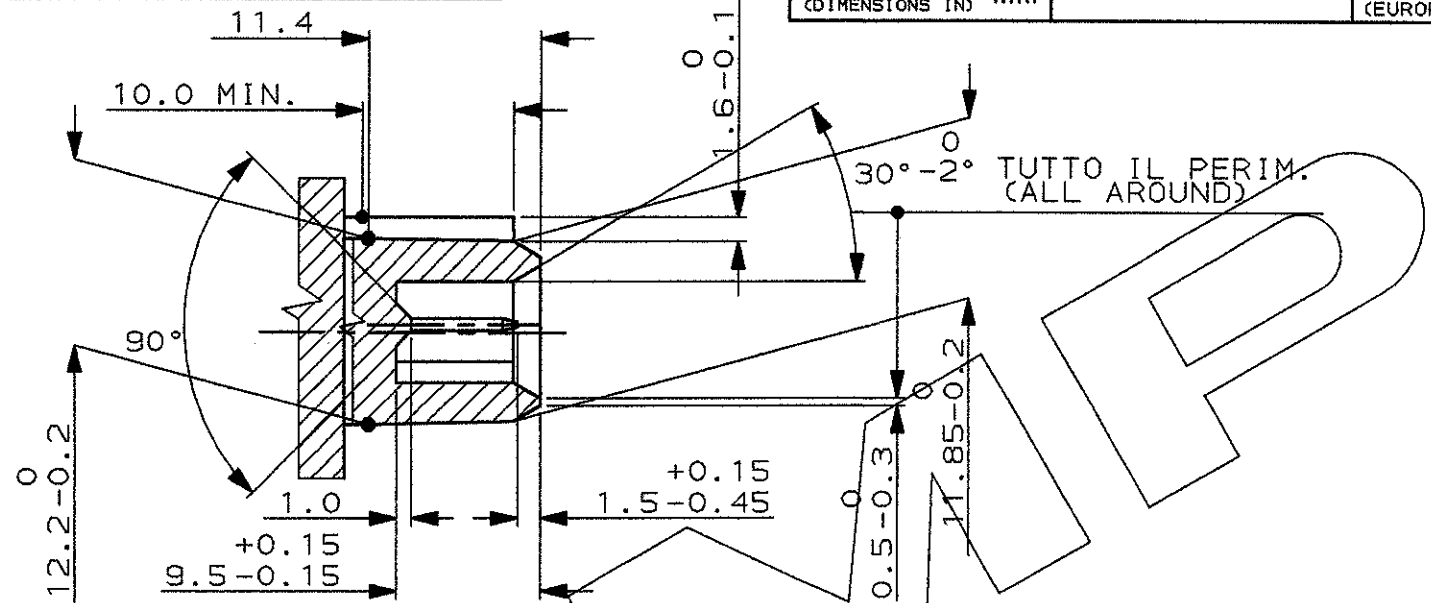
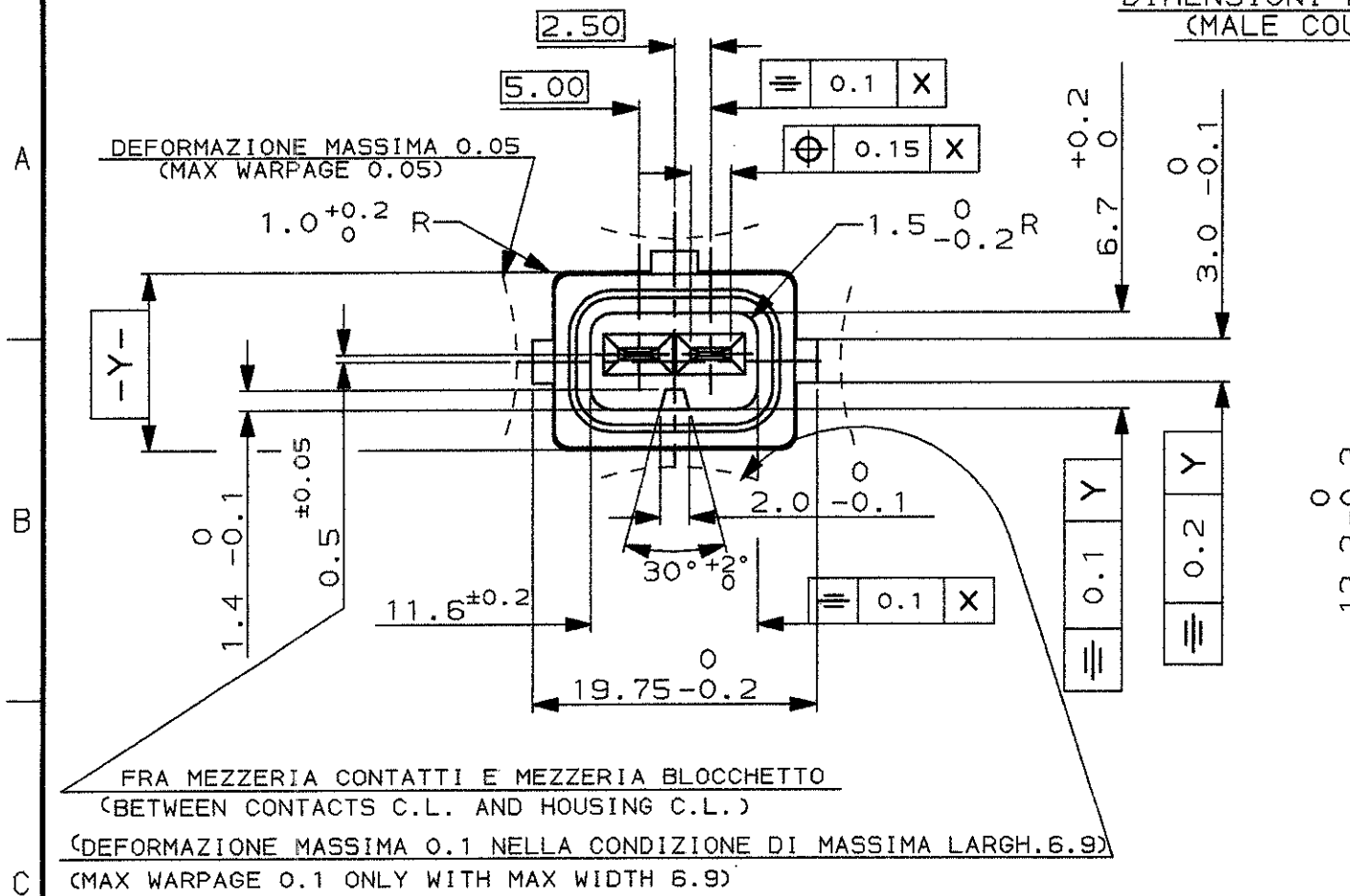
F1 REDRAWN AND REVISED WITH ETOO-0080-98 M.P. 12-5 '88
 REV. (REV.) REVISIONI (REVISION RECORD) DIS. DATA (DR) (DATE)

DIMENSIONI DELLA CONTROPARTE MASCHIO
(MALE COUNTERPART DIMENSIONS)

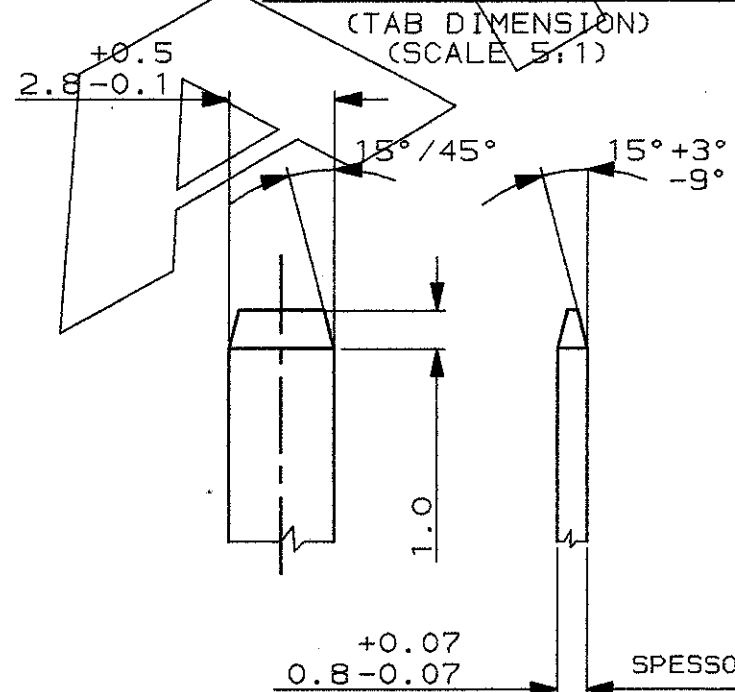
SCALA NON IMPEGNATIVA
(DO NOT SCALE)
DIMENSIONI IN mm
(DIMENSIONS IN mm)

METRIC

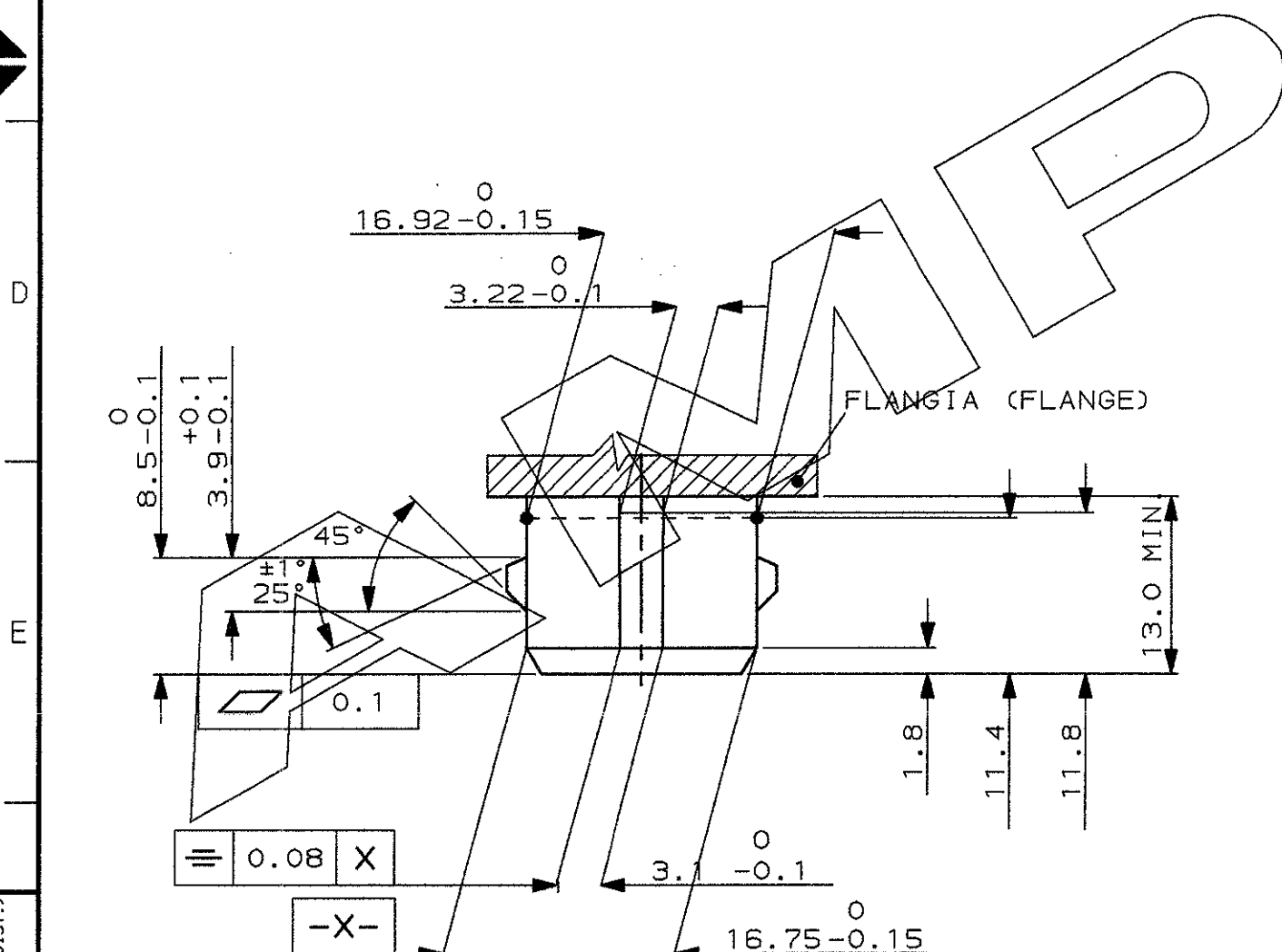
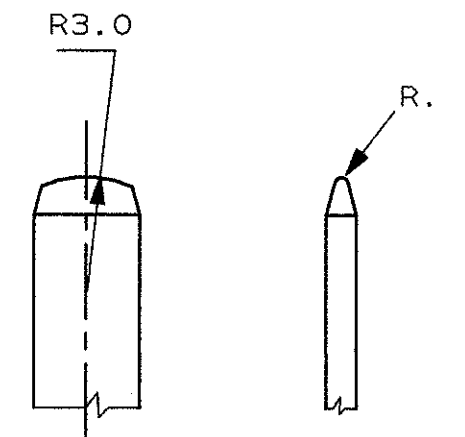
PROIEZIONE EUROPEA
(EUROPEAN PROJECTION)



DETTAGLIO DIMENS. TAB
(TAB DIMENSION)
(SCALE 5:1)



FORMA ALTERNATIVA
(ALTERNATIVE DESIGN)



FINITURA / COLORE (FINISH / COLOUR)	MATERIALE (MATERIAL)	NUMERO (PART NUMBER)
CUSTOMER DWG. FOR REFERENCE ONLY	DISEGNO PER CLIENTE SOLO PER RIFERIMENTO	
THIS DRAWING IS UNPUBLISHED		RELEASE FOR PUBLICATION 19
© COPYRIGHT 19 BY AMP INCORPORATED, HARRISBURG, PA. ALL INTERNATIONAL RIGHT RESERVED. AMP PRODUCTS MAY BE COVERED BY U.S. AND FOREIGN PATENT AND/OR PATENT PENDING		
TOLLERANZE, SE NON DIVERSAMENTE SPECIFICATO (TOLERANCES, UNLESS OTHERWISE SPECIFIED)	DIAM. ISOLANTE (INS. DIA. RANGE)	RANGO FILO (WIRE RANGE)
± 0.3	//	//
ANGOLI (ANGLES)	SCALA (SCALE)	
± 2°	//	
DIS. (DR.)	DESCRIZIONE (DESCRIPTION)	
CONT. - (CHK) -	SPLASH PROOF CONNECTOR 2 POS. ASS'Y	
APP. - (APP.) -	LOC. SIZE NUMERO (DWG NO)	REV. FOGLIO (SHEET)
SEE SHEET 1 OF 2	I A3 C - 281844 /	2 / 2
REV. (REV.)	REVISIONI (REVISION RECORD)	DIS. DATA (DR) (DATE)

DISTRIBUZIONE
(PRINT DIST.)

X-ON Electronics

Largest Supplier of Electrical and Electronic Components

Click to view similar products for [Automotive Connectors](#) category:

Click to view products by [TE Connectivity](#) manufacturer:

Other Similar products are found below :

[003-018-000](#) [60403001](#) [60993906-B](#) [M902-2131](#) [M902-2161](#) [M902-2344](#) [72.330.1035.1](#) [73.353.4028.0](#) [F119300-B](#) [F166900](#) [F258300-B](#)
[F358300-B](#) [F407400](#) [F444110](#) [F487000](#) [F509500B-B](#) [827153-1](#) [8N1515-32-24P](#) [9-1326729-8](#) [925474-1](#) [928905-1](#) [964562-4](#) [968782-1](#)
[GT17SA-8DS-HU](#) [98891-1012](#) [98947-1016](#) [12004147](#) [12004475-L](#) [12010290](#) [12010309-B](#) [12015454](#) [12020219-B](#) [12041318-B](#) [12052225-](#)
[L](#) [12052466](#) [12064869](#) [12004327-B](#) [12015308](#) [12015384](#) [12015909](#) [1-21030-1](#) [12041254](#) [12041318](#) [12047946-B](#) [12047957](#) [12047957-L](#)
[12059473](#) [12066261](#) [12110546](#) [12110546-B](#)