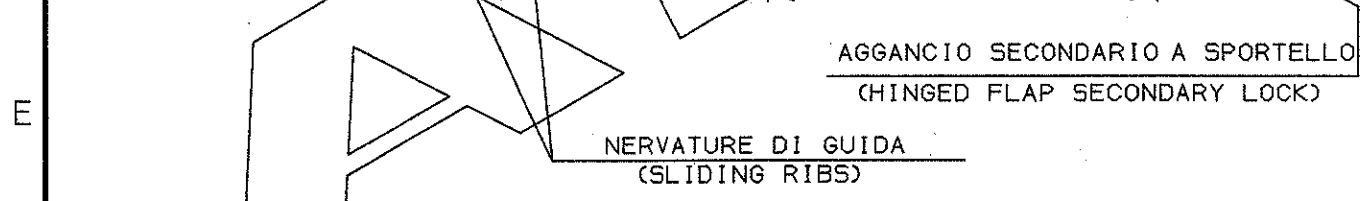
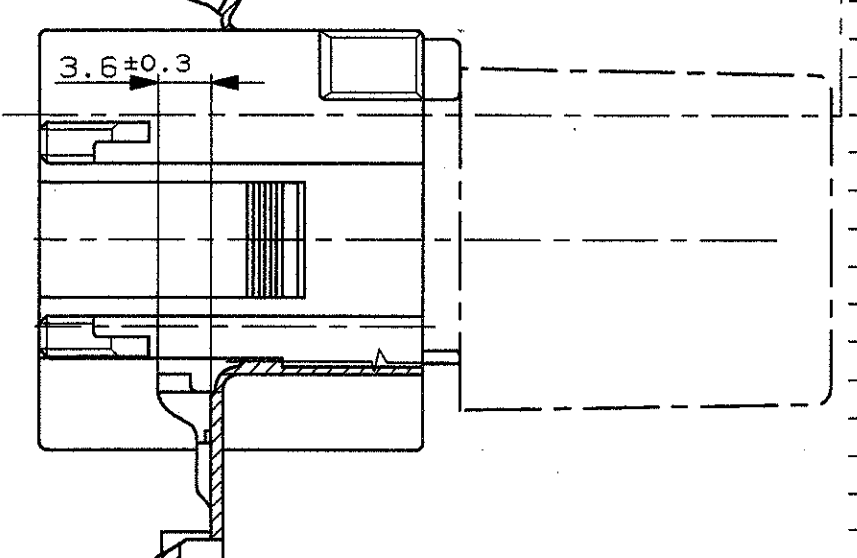
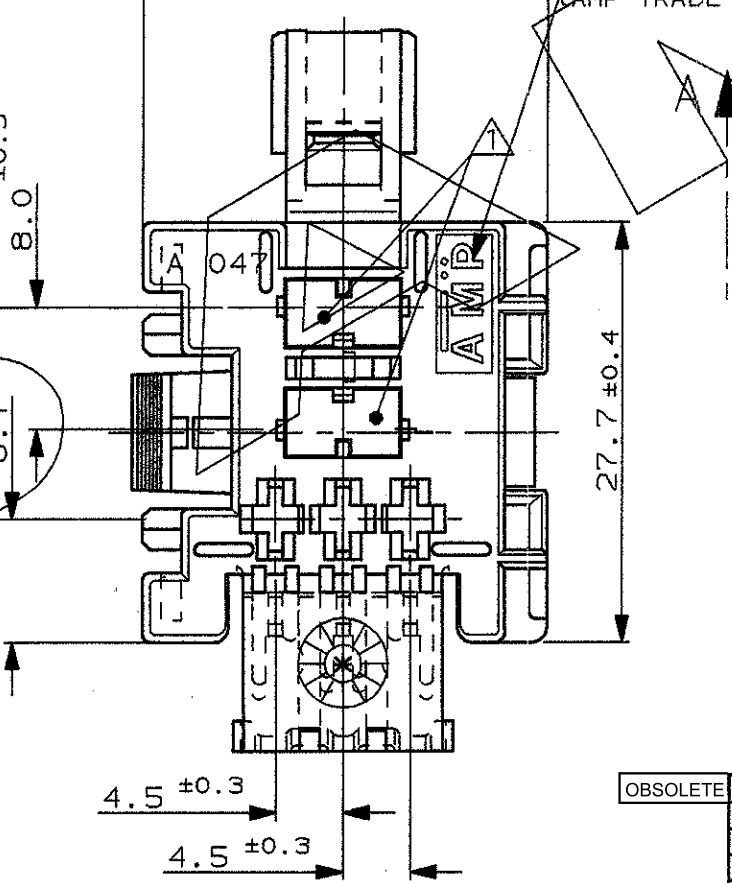
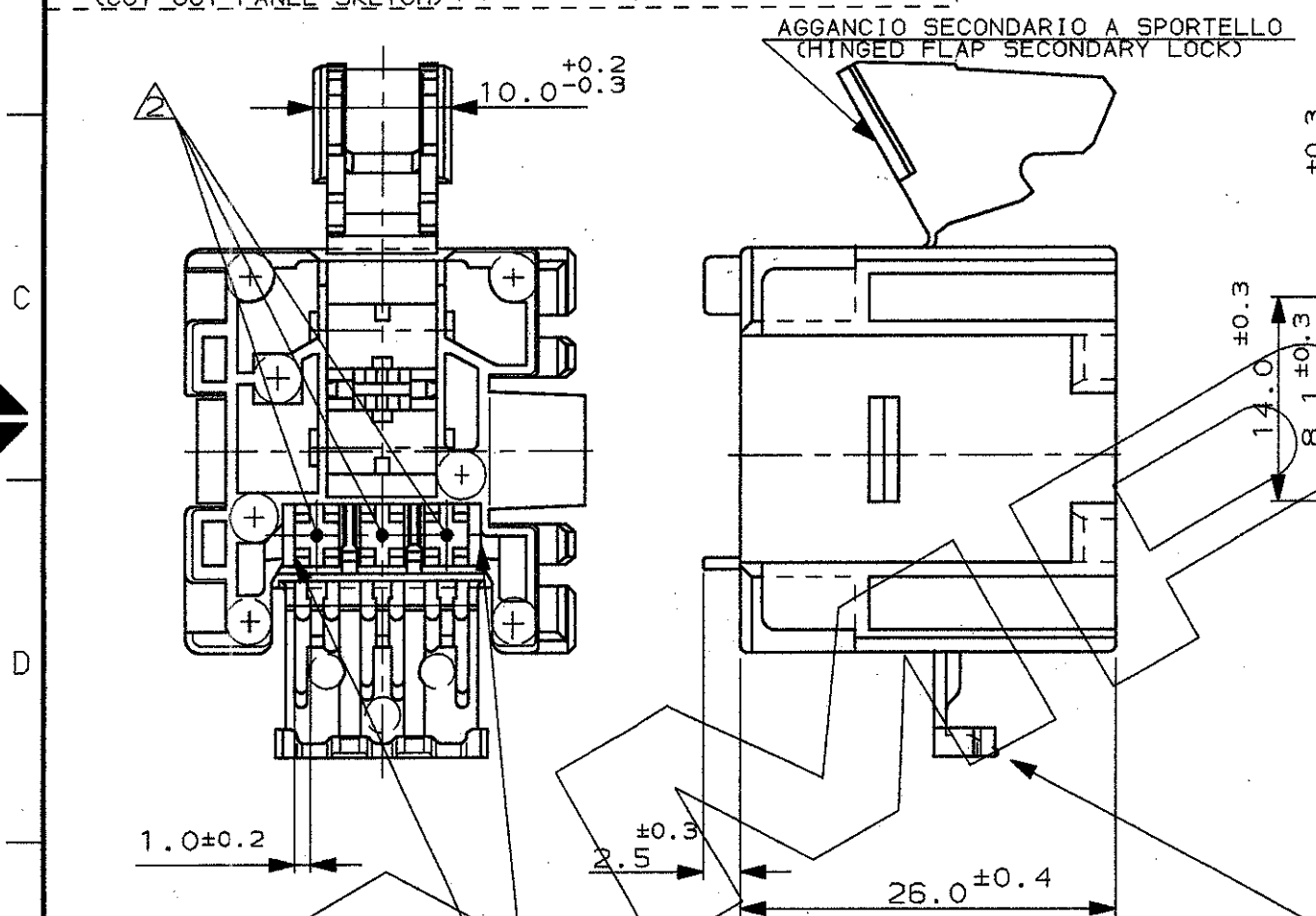
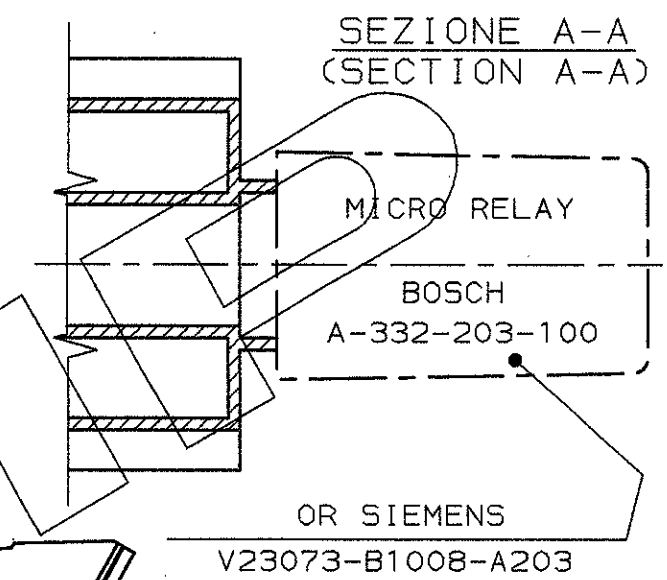


RAPPRESENTAZIONE MODULARITA' (MODULARITY SKETCH) SCALE 1:1

NOTA: NON ASSEMBLARE PIU' DI 2 CONNETTORI INSIEME (NOTE: DO NOT ASSEMBLE MORE THAN 2 CONNECTORS TOGETHER)



OBSOLETE	VERDE (GREEN)	281988-5
	MARRONE (BROWN)	281988-4
	ROSSO (RED)	281988-3
	NERO (BLACK)	281988-2
	NEUTRO (CLEAR)	281988-1
	FINITURA / COLORE (FINISH / COLOUR)	MATERIALE (MATERIAL)
		NUMERO (PART NUMBER)

PA 6.6 (PA 6.6 UNFILLED)

- 1) No. 2 CAVITA' ADATTE PER TERMINALI POSITIVE LOCK MKI SERIE .250, SEZ. 4MM<sup>2</sup> MAX. (No. 2 CAVITIES SUITABLE FOR POSITIVE LOCK MKI 250 SRS REC. CONTACT, WIRE SECTION 4 MM<sup>2</sup> MAX.)
- 2) No. 3 CAVITA' ADATTE PER TERMINALI JUNIOR POWER TIMER, SEZ. 1.5 MM<sup>2</sup> MAX. (No. 3 CAVITIES SUITABLE FOR JUNIOR POWER TIMER REC. CONTACT, WIRE SECTION 1.5 MM<sup>2</sup> MAX.)
- 3) SPECIFICA DI PRODOTTO 108-20104; FOGLIO DI ISTRUZIONE 411-20032. (PRODUCT SPEC. 108-20104, INSTRUCTION SHEET 411-20032).

CUSTOMER DWG. FOR REFERENCE ONLY

DISEGNO PER CLIENTE SOLO PER RIFERIMENTO

RELEASE FOR PUBLICATION 19

© COPYRIGHT 1989 BY AMP INCORPORATED, HARRISBURG, PA. ALL INTERNATIONAL RIGHTS RESERVED. AMP PRODUCTS MAY BE COVERED BY U.S. AND FOREIGN PATENT AND/OR PATENT PENDING.

D1	REVISED PER ECO-20-003218	AP/VN	08MAY 2020
D	ADDED P/N -5 AND REVISED FOR EC ET00-0085-85	M.P.	15-30-1988
C	ADDED ...-3 AND ...-4 PER EC ET00-0297-96	A.F.	24JUN 1986
A	IN PRODUCTION (I-2992)	C.I.	20JAN 1992
5	REVISED	C.I.	4DEC 1991
4	REVISED	C.I.	1991
3	REDRAWN BY CAD	C.I.	12MAR 1990
2	PN.281988 WAS PN.87-51163	T.C.	SETT 1989
1	REPLACES PREVIOUS ISSUES	O.C.	8MAR 1989

REV. (REVISION RECORD) DIS. DATA (DATE)

CONT. C. IANNARELLI (DR.) 8 MARZO 1989

CONT. C. TARTARI (CHK) 17 FEB. 92

DESCRIZIONE (DESCRIPTION) 5 POS. MODULAR CONN. FOR MICRO-RELAY WITH SECONDARY LOCK

LOC. SIZE NUMERO (DWG NO.) REV. FOGLIO (SHEET)

I A<sub>3</sub> C-281988 D1 1 (OF) 1

STE TE Connectivity

DISTRIBUZIONE (PRINT DIST.)

## X-ON Electronics

Largest Supplier of Electrical and Electronic Components

*Click to view similar products for [Automotive Connectors](#) category:*

*Click to view products by [TE Connectivity](#) manufacturer:*

Other Similar products are found below :

[003-018-000](#) [60403001](#) [60993906-B](#) [M902-2131](#) [M902-2161](#) [72.330.1035.1](#) [73.353.4028.0](#) [F119300-B](#) [F166900](#) [F258300-B](#) [F358300-B](#)  
[F407400](#) [F444110](#) [F487000](#) [F509500B-B](#) [827153-1](#) [8N1515-32-24P](#) [9-1326729-8](#) [925474-1](#) [928905-1](#) [964562-4](#) [968782-1](#) [GT17SA-8DS-](#)  
[HU](#) [98891-1012](#) [98947-1016](#) [12004147](#) [12004475-L](#) [12010290](#) [12010309-B](#) [12015454](#) [12020219-B](#) [12020308](#) [12041318-B](#) [12052225-L](#)  
[12052466](#) [12059125](#) [12064869](#) [12004327-B](#) [12010503-B](#) [12015308](#) [12015384](#) [12015909](#) [1-21030-1](#) [12041254](#) [12041318](#) [12047946-B](#)  
[12047957](#) [12047957-L](#) [12059473](#) [12066261](#)