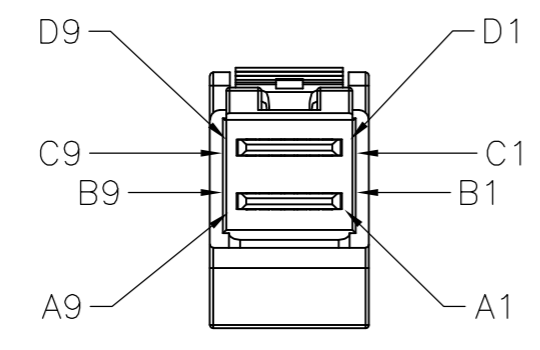
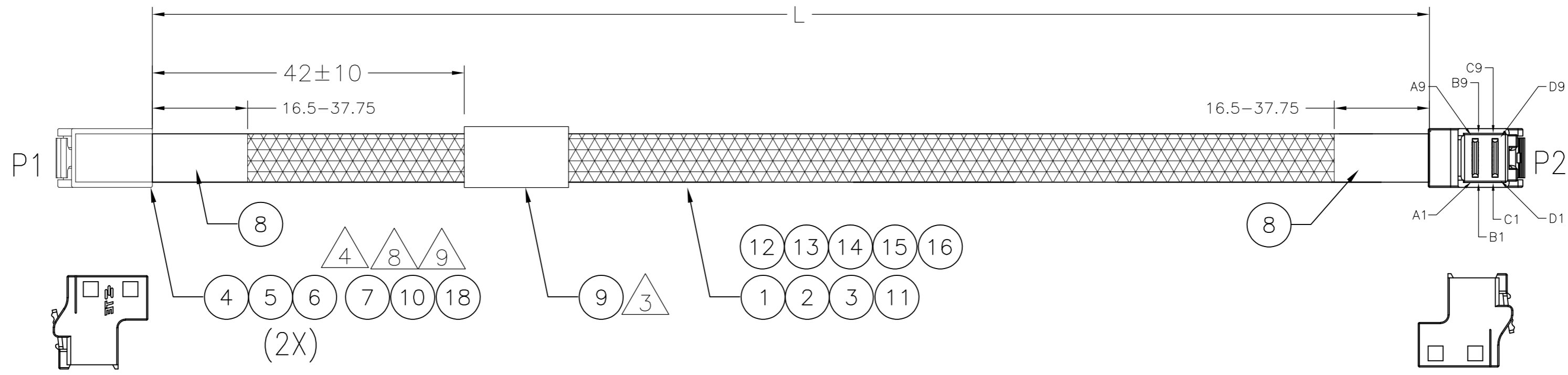


THIS DRAWING IS UNPUBLISHED. RELEASED FOR PUBLICATION
 © COPYRIGHT - By - ALL RIGHTS RESERVED.

| REVISIONS | | | | |
|-----------|-----|---------------------------|-----------|-------|
| P | LTR | DESCRIPTION | DATE | APVD |
| B | | CHANGES PER ECO-16-014788 | 12OCT2016 | LA GF |

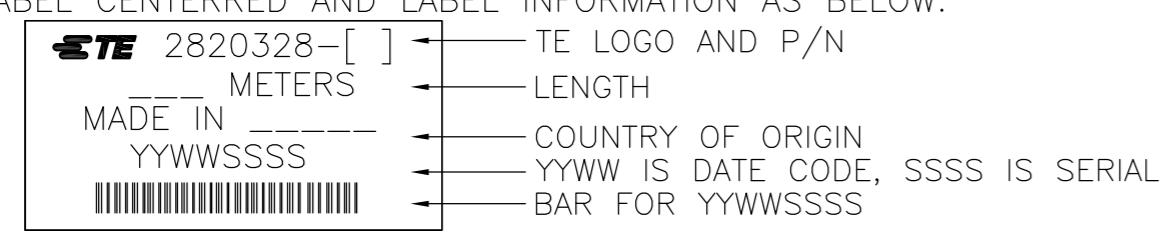


CONNECTOR FACE
-LATCH UP

1. ASSEMBLY TO BE 100% TESTED FOR CONTINUITY, SHORTS, AND OPENS, CABLES ASSEMBLYS ARE ALSO TO BE 100% TESTED FOR SIGNAL INTEGRITY, TO SAS 3.0 REQUIREMENTS.

2. ROHS AND REACH COMPLIANCE: PRODUCT AND PROCESSING MEETS REQUIREMENTS OF TE SPECIFICATION TEC-138-702.

3. LABEL CENTERED AND LABEL INFORMATION AS BELOW:



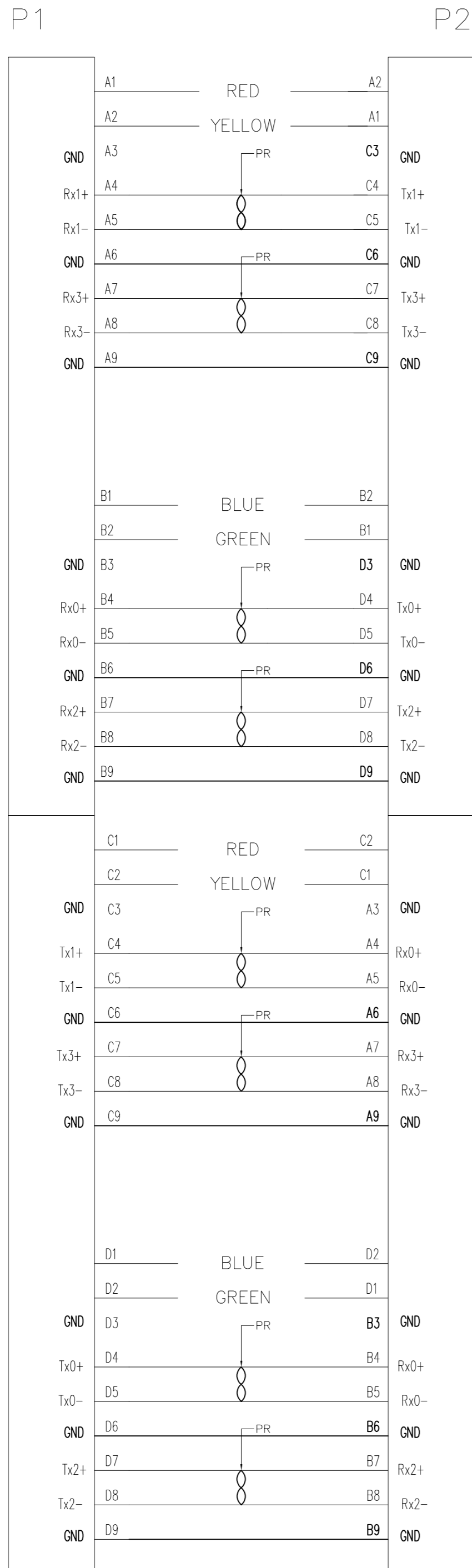
4. SEE SHEET #2 FOR WIRING SCHEMATIC.

| | | |
|---------|-----------|-----------|
| 1000 | +25 -0 | 2820328-4 |
| 700 | +25 -0 | 2820328-3 |
| 500 | +25 -0 | 2820328-2 |
| 300 | +25 -0 | 2820328-1 |
| "L"[MM] | | TE P/N |

| | | | | |
|--|----------|----------------------------|---|-----------------|
| THIS DRAWING IS A CONTROLLED DOCUMENT. | | DWN M.YI 16/JUN/2014 | TE Connectivity | |
| DIMENSIONS: mm | | CHK G.GUTGOLD 16/JUN/2014 | | |
| TOLERANCES UNLESS OTHERWISE SPECIFIED: | | APVD G.GUTGOLD 16/JUN/2014 | NAME C/A, INTERNAL HD MINI SAS, R/A TO R/A 100 OHMS, 4X | |
| 0 PLC ± - | | PRODUCT SPEC | SIZE A2 | CAGE CODE 00779 |
| 1 PLC ± - | | APPLICATION SPEC | DRAWING NO C=2820328 | RESTRICTED TO - |
| 2 PLC ± - | | | SCALE N.T.S. | SHEET 1 of 2 |
| 3 PLC ± - | | | | REV B |
| 4 PLC ± - | | | | |
| ANGLES ± - | | | | |
| MATERIAL - | FINISH - | WEIGHT 0 | CUSTOMER DRAWING | |

THIS DRAWING IS UNPUBLISHED. RELEASED FOR PUBLICATION
 © COPYRIGHT - By - ALL RIGHTS RESERVED.

| REVISIONS | | | | |
|-----------|-----|-------------|------|------|
| P | LTR | DESCRIPTION | DATE | APVD |
| - | - | SEE SHEET 1 | - | - |



WIRING PATTERN

| | | | | |
|--|--|----------------------------------|---|-------------------------|
| THIS DRAWING IS A CONTROLLED DOCUMENT. | | DWN M.YI 16/JUN/2014 | TE Connectivity | |
| DIMENSIONS: mm | | CHK G.GUTGOLD 16/JUN/2014 | | |
| TOLERANCES UNLESS OTHERWISE SPECIFIED: | | APVD G.GUTGOLD 16/JUN/2014 | NAME C/A, INTERNAL HD MINI SAS, R/A TO R/A 100 OHMS, 4X | |
| | | PRODUCT SPEC | SIZE A2 | |
| MATERIAL | | APPLICATION SPEC | CAGE CODE 00779 | DRAWING NO C=2820328 |
| FINISH | | WEIGHT | SCALE N.T.S. | SHEET 2 of 2 |
| | | CUSTOMER DRAWING | RESTRICTED TO | REV B |

X-ON Electronics

Largest Supplier of Electrical and Electronic Components

Click to view similar products for [Computer Cables](#) category:

Click to view products by [TE Connectivity](#) manufacturer:

Other Similar products are found below :

[68809-0004](#) [8F36-AAA105-1.00](#) [IB63](#) [CB-716EB-RS](#) [CB-716P8P9-RS](#) [CBK-11-290K-00](#) [ACL-10550](#) [ACL-10568-2](#) [ACL-10568-5](#)
[427522400-3](#) [426091300-3](#) [48000023](#) [10114976-P015002LF](#) [10111838-S444ALF](#) [88761-6101](#) [NT631C-CN321-EU](#) [ACL-10568NF-1](#)
[MIKROE-2092](#) [PCL-101100R-2E](#) [1700009405](#) [PS/2 Cable](#) [NT31C-CN323-EU](#) [PCL-10168H-1E](#) [68801-1905](#) [111068-1015](#) [100436-1107](#)
[68801-0630](#) [68801-3612](#) [68801-3618](#) [205058-1002](#) [PS2NK](#) [SATA cable](#) [96021-0000-00-0](#) [FAK-SMZSMZ 5M](#) [FAK-SMZSMZ-3M](#) [ACC-](#)
[500-200-R](#) [iW-C40-PCIe08-C1](#) [1700001531](#) [96048-0000-00-0](#) [96054-0000-00-0](#) [SATA III cable 30cm, down/straight](#) [cab-Pico-ITX-LVDS](#)
[PCL-101100SB-2E](#) [AXXSTCBLQAT](#) [NT31C-KBA05](#) [A2U4PSWCXCXK1](#) [2 port SATA to 5 pin,L=200mm](#) [P782-006-DH](#) [ACL-10568NF-](#)
[2](#) [PCL-101100R-1E](#)