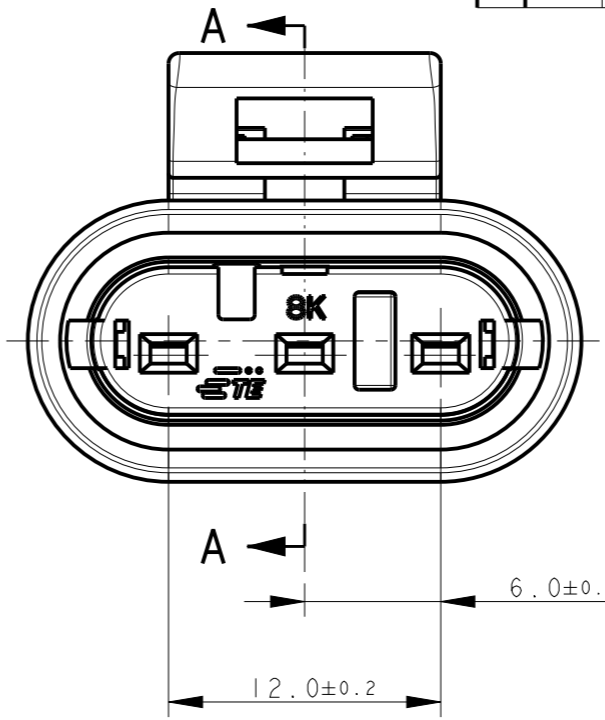
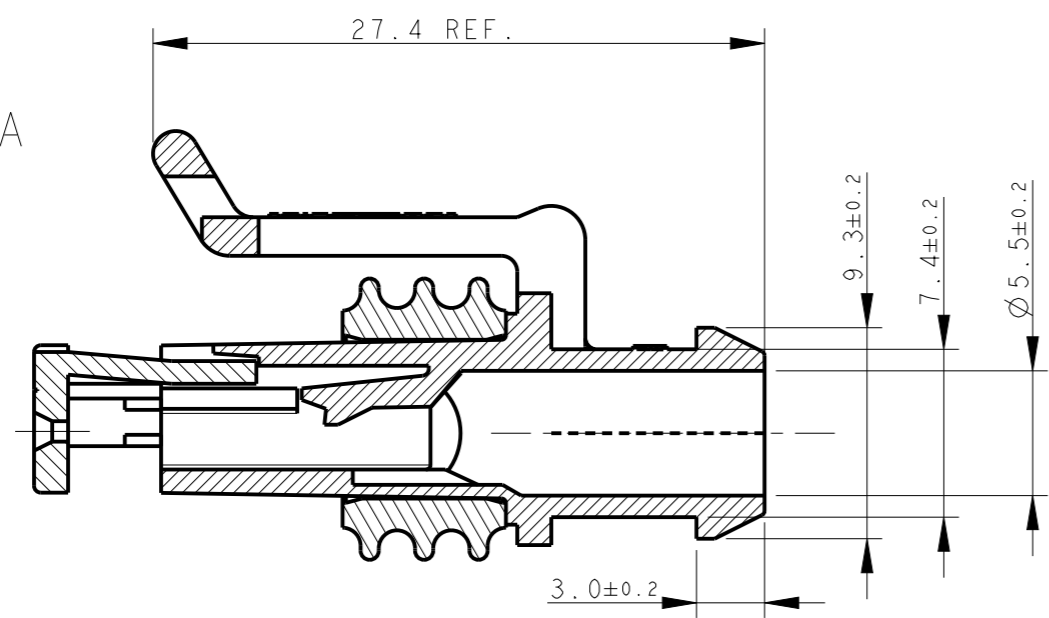


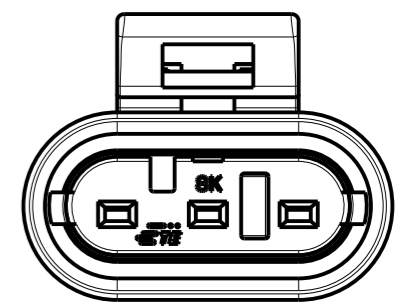
THIS DRAWING IS UNPUBLISHED. RELEASED FOR PUBLICATION 2011
 © COPYRIGHT 2011 ALL RIGHTS RESERVED.

P	LTR	DESCRIPTION	DATE	DWN	APVD
C3		REVISED PER ECO-17-001706	10FEB2017	C. A.	M. G.
C4		REVISED PER ECO-18-012780	13AUG2018	AP	VN
C5		REVISED PER ECO-19-017338	15NOV2019	AP	VN
C6		REVISED PER ECR-21-103343	19MAY2021	AP	VN

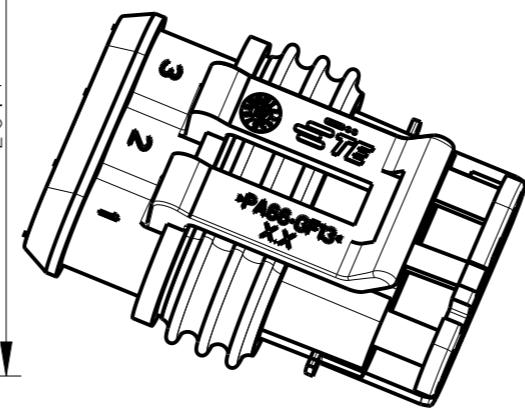
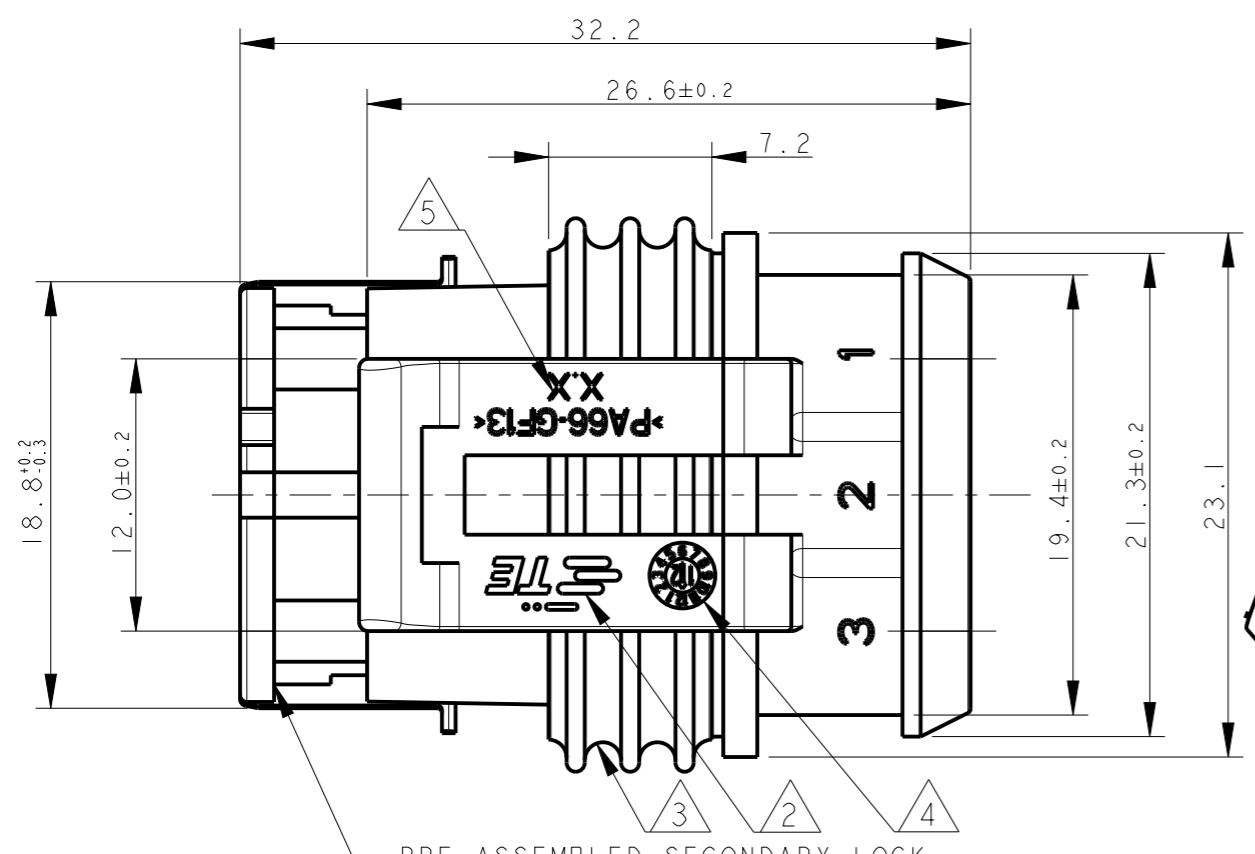
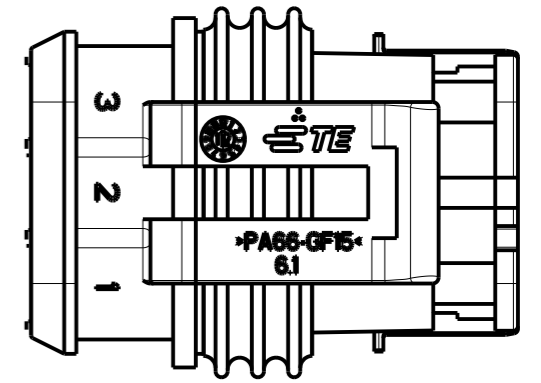
SECTION A-A



ONLY FOR BRAZILIAN PRODUCTION



ONLY FOR INDIAN PRODUCTION
282087-3



(*) PRELIMINARY

FINISH/COLOR	MATERIAL	PART NUMBER
HSG-WHITE, SL-WHITE	ACC. TO IEC 60335-1 HSG+SL: PA66GF20 UL94-V2 SEALING: LSR	1745083-1
HSG-GRAY, SL-RED	HOUSING+SEC. LOCK: PA 66-GF SEALING: FSL	1-282087-2 (*)
HSG-BLACK, SL-RED		1-282087-1 (*)
HSG-BLACK, SL-RED	HOUSING+SEC. LOCK: PA 66-GF SEALING: LSR	282087-3
HSG-GRAY, SL-RED		282087-2
HSG-BLACK, SL-RED		282087-1

PRE-ASSEMBLED SECONDARY LOCK (COLOUR RED/WHITE)

- 1) FOR COUNTERPART DETAILS, SEE SHEET 2 OF 2
- 2) TE CONNECTIVITY TRADE MARK, (IN ALTERNATIVE: "AMP" LOGO, OR "Tyco Electronics" LOGO)
- 3) SEALING (COLOUR YELLOW FOR LSR VERSION) (COLOUR WHITE FOR FSL VERSION)
- 4) DATECODE (OPTIONAL IN OLD MOULDS).
- 5) MOULD/MOULD CAVITY NUMBER

THIS DRAWING IS A CONTROLLED DOCUMENT.		DWN C. BERTINI 07-1990		TE Connectivity	
DIMENSIONS: mm		CHK A. BRUNI 07-1990			
TOLERANCES UNLESS OTHERWISE SPECIFIED:		APVD -		NAME -	
0 PLC ±-		PRODUCT SPEC 108-20090		AMP SUPERSEAL 1.5 SRS.	
1 PLC ±0.3		APPLICATION SPEC 412-20000		3 POSITIONS PLUG ASS'Y	
2 PLC ±-		WEIGHT 3.65gr		SIZE A3	CAGE CODE 00779
3 PLC ±-		Customer Drawing		DRAWING NO C-282087	RESTRICTED TO -
4 PLC ±-		SCALE 5:1		SHEET 1 OF 2	REV C6
ANGLES ±2°					
MATERIAL -					
FINISH -					
SEE TABLE					

X-ON Electronics

Largest Supplier of Electrical and Electronic Components

Click to view similar products for [Automotive Connectors](#) category:

Click to view products by [TE Connectivity](#) manufacturer:

Other Similar products are found below :

[003-018-000](#) [60403001](#) [60993906-B](#) [M902-2131](#) [M902-2161](#) [M902-2344](#) [72.330.1035.1](#) [73.353.4028.0](#) [F119300-B](#) [F166900](#) [F258300-B](#)
[F358300-B](#) [F407400](#) [F444110](#) [F487000](#) [F509500B-B](#) [827153-1](#) [8N1515-32-24P](#) [9-1326729-8](#) [925474-1](#) [928905-1](#) [964562-4](#) [968782-1](#)
[GT17SA-8DS-HU](#) [98891-1012](#) [98947-1016](#) [12004147](#) [12004475-L](#) [12010290](#) [12010309-B](#) [12015454](#) [12020219-B](#) [12041318-B](#) [12052225-](#)
[L](#) [12052466](#) [12064869](#) [12004327-B](#) [12015308](#) [12015384](#) [12015909](#) [1-21030-1](#) [12041254](#) [12041318](#) [12047946-B](#) [12047957](#) [12047957-L](#)
[12059473](#) [12066261](#) [12110546](#) [12110546-B](#)