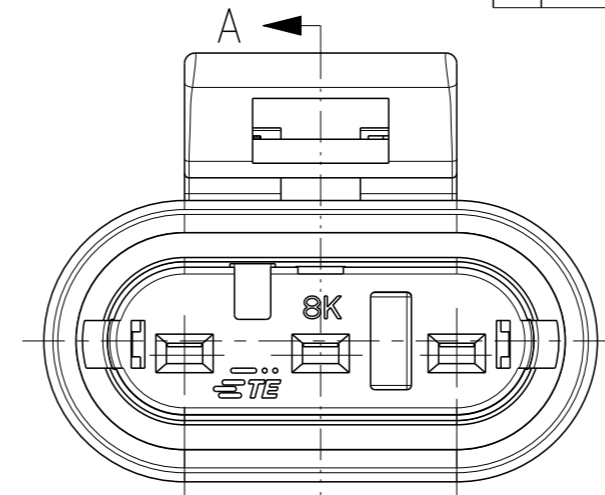
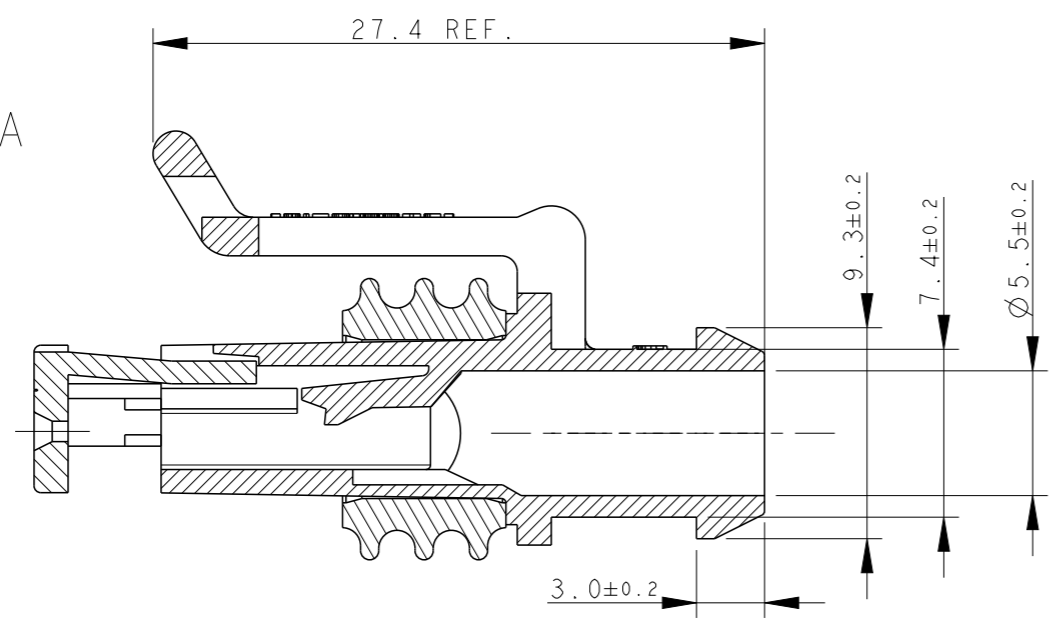


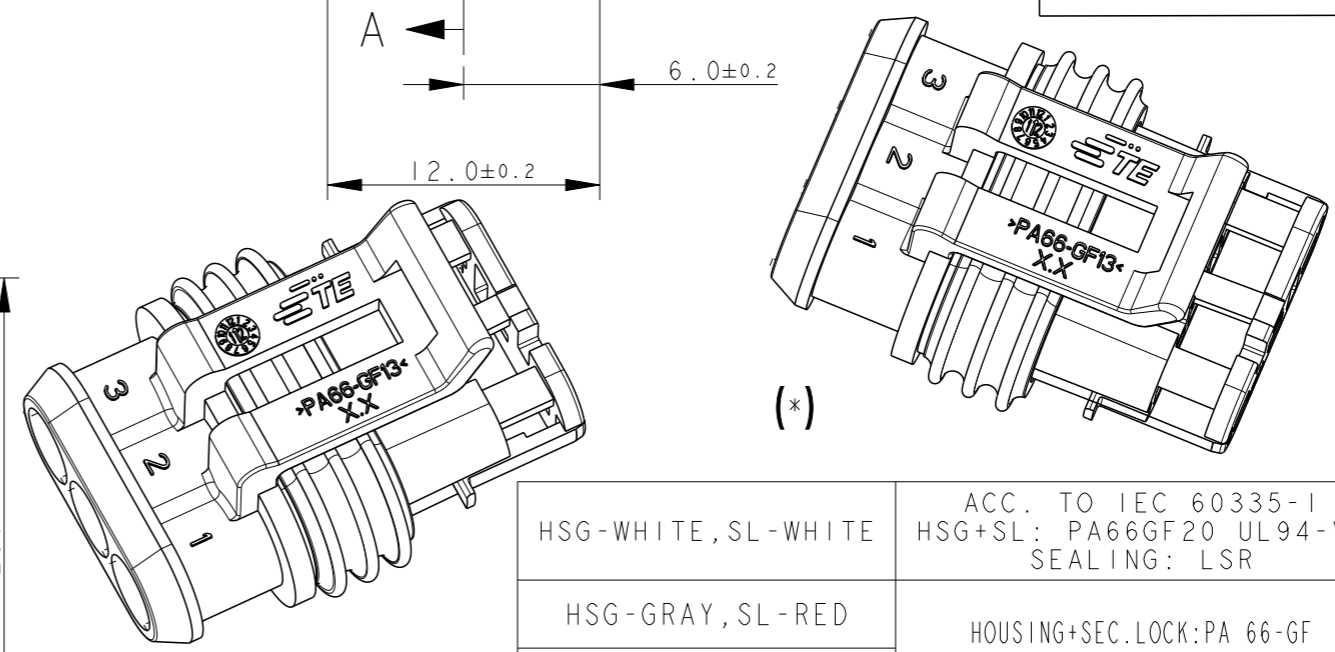
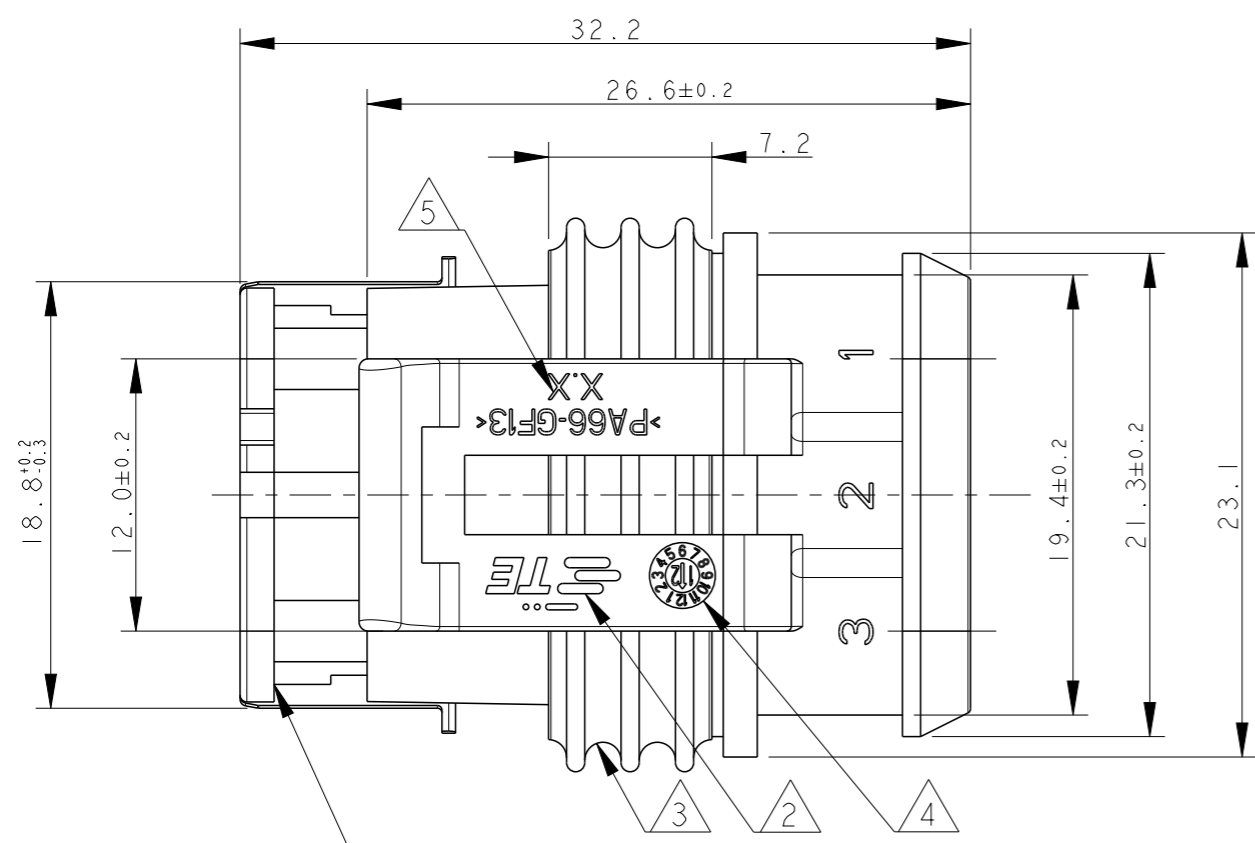
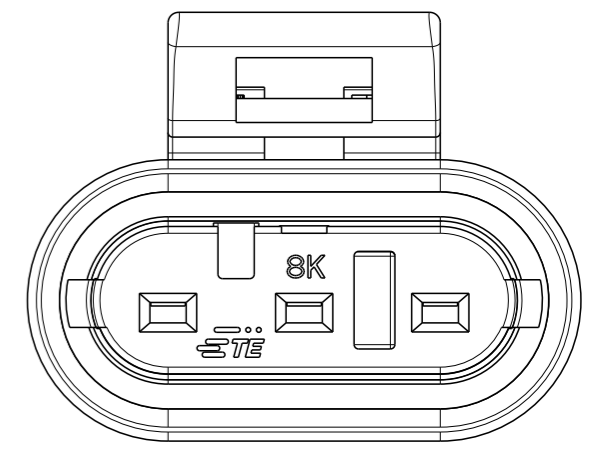
THIS DRAWING IS UNPUBLISHED. RELEASED FOR PUBLICATION 2011
 © COPYRIGHT 2011 ALL RIGHTS RESERVED.

REVISIONS					
P	LTR	DESCRIPTION	DATE	DWN	APVD
C2		ADDED FSL SEAL VERSION (ECO-15-016364)	13NOV2015	M.G.	M.G.
C3		REVISED PER ECO-17-001706	10FEB2017	C.A.	M.G.
C4		REVISED PER ECO-18-012780	13AUG2018	AP	VN
C5		REVISED PER ECO-19-017338	15NOV2019	AP	VN

SECTION A-A



ONLY FOR BRAZILIAN PRODUCTION



FINISH/COLOR	MATERIAL	PART NUMBER
HSG-WHITE, SL-WHITE	ACC. TO IEC 60335-1 HSG+SL: PA66GF20 UL94-V2 SEALING: LSR	1745083-1
HSG-GRAY, SL-RED	HOUSING+SEC.LOCK:PA 66-GF SEALING: FSL	1-282087-2 (*)
HSG-BLACK, SL-RED		1-282087-1 (*)
HSG-GRAY, SL-RED	HOUSING+SEC.LOCK:PA 66-GF SEALING: LSR	282087-2
HSG-BLACK, SL-RED		282087-1

PRE-ASSEMBLED SECONDARY LOCK (COLOUR RED/WHITE)

- 1) FOR COUNTERPART DETAILS, SEE SHEET 2 OF 2
- 2) TE CONNECTIVITY TRADE MARK, (IN ALTERNATIVE: "AMP" LOGO, OR "Tyco Electronics" LOGO)
- 3) SEALING (COLOUR YELLOW FOR LSR VERSION) (COLOUR WHITE FOR FSL VERSION)
- 4) DATECODE (OPTIONAL IN OLD MOULDS).
- 5) MOULD/MOULD CAVITY NUMBER

THIS DRAWING IS A CONTROLLED DOCUMENT.		DWN C. BERTINI 07-1990
DIMENSIONS: mm		CHK A. BRUNI 07-1990
TOLERANCES UNLESS OTHERWISE SPECIFIED:		APVD -
0 PLC ±-		NAME -
1 PLC ±0.3		PRODUCT SPEC 108-20090
2 PLC ±-		APPLICATION SPEC 412-20000
3 PLC ±-		WEIGHT 3.65gr
4 PLC ±-		Customer Drawing
ANGLES ±2°		
MATERIAL -		
FINISH -		
SEE TABLE		

STE TE Connectivity

AMP SUPERSEAL 1.5 SRS.
3 POSITIONS PLUG ASS'Y

SIZE	CAGE CODE	DRAWING NO	RESTRICTED TO
A3	00779	C-282087	-

SCALE 3:1 SHEET 1 OF 2 REV C5

4

3

2

1

THIS DRAWING IS UNPUBLISHED.

RELEASED FOR PUBLICATION

2011

© COPYRIGHT 2011

ALL RIGHTS RESERVED.

REVISIONS

P	LTR	DESCRIPTION	DATE	DWN	APVD
-	-	SEE SHEET 1	-	-	-

COUNTERPART DETAILS

SECTION A-A

SECTION B-B

TAB DETAILS

MATERIALS: PA66-GF FOR HOUSING
TIN PLATED BRASS FOR TABS
FOR PN 1745083-1: COUNTER PART MATL
PART PA66-GF ACC TO IEC60335-1
PRODUCT SPEC: 108-20090-2

THIS DRAWING IS A CONTROLLED DOCUMENT.

DWN 07-1990

C. BERTINI

CHK 07-1990

A. BRUNI

APVD -

NAME -

TE Connectivity

DIMENSIONS:

mm

TOLERANCES UNLESS OTHERWISE SPECIFIED:

0 PLC	±0.3
1 PLC	±0.1
2 PLC	±0.05
3 PLC	±
4 PLC	±
ANGLES	±2°

MATERIAL

FINISH

PRODUCT SPEC

108-20090

APPLICATION SPEC

412-20000

WEIGHT

3.65gr

SIZE

AMP SUPERSEAL 1.5 SRS.
3 POSITIONS PLUG ASS'Y

CAGE CODE

A300779

DRAWING NO

C-282087

RESTRICTED TO

-

Customer Drawing

SCALE 3:1

SHEET 2 OF 2

REV C5

1470-19 (3/13)

X-ON Electronics

Largest Supplier of Electrical and Electronic Components

Click to view similar products for [TE Connectivity](#) manufacturer:

Other Similar products are found below :

[D38999/24FJ4AN](#) [570416-000](#) [CLTEQ-M81CE-SSRELAY-4-20V](#) [4-1195131-0](#) [650069-000](#) [SMD100-2](#) [358838-000](#) [CB-1022B-78](#)
[RM707012](#) [RP410012](#) [MMS42](#) [1-640426-8](#) [2EDL4CM](#) [DTS20W19-11PD-3028-LC](#) [RM202615](#) [NC6-P104-06](#) [MSPS103B](#) [DTS26F21-41HE-LC](#) [DTS26F21-41AE](#) [DTS26F21-41PE-LC](#) [DTS26F21-11SE-3028-LC](#) [30DCB6](#) [1932144-1](#) [293545-4](#) [LVR125S](#) [MS27466T25F4PB](#)
[CKB-38-78010](#) [TR04AI-TINELLOCKRING](#) [1206SFF150F/63-2](#) [D38999/20JB35HA](#) [TE1500A2R2J](#) [D38999/20WC8BB](#) [DTS24F19-11SC-3028-LC](#) [D38999/24WG11HA](#) [D38999/24WG11HN](#) [MS27467T21F11H](#) [DJT16E21-11HA](#) [MS27467T21F35J](#) [MS27467T21F11J](#)
[MS27467T21F16H-LC](#) [MS27467T21F35H](#) [MS27467T21F41H-LC](#) [1206SFH150F/24-2](#) [RP330024](#) [DJT16E21-11PA-LC](#) [DJT16E21-11HA-LC](#) [DJT16E21-11AA](#) [MS27467T21B11JA](#) [DJT16E21-11JA](#) [MS27467T21B11JA-LC](#)