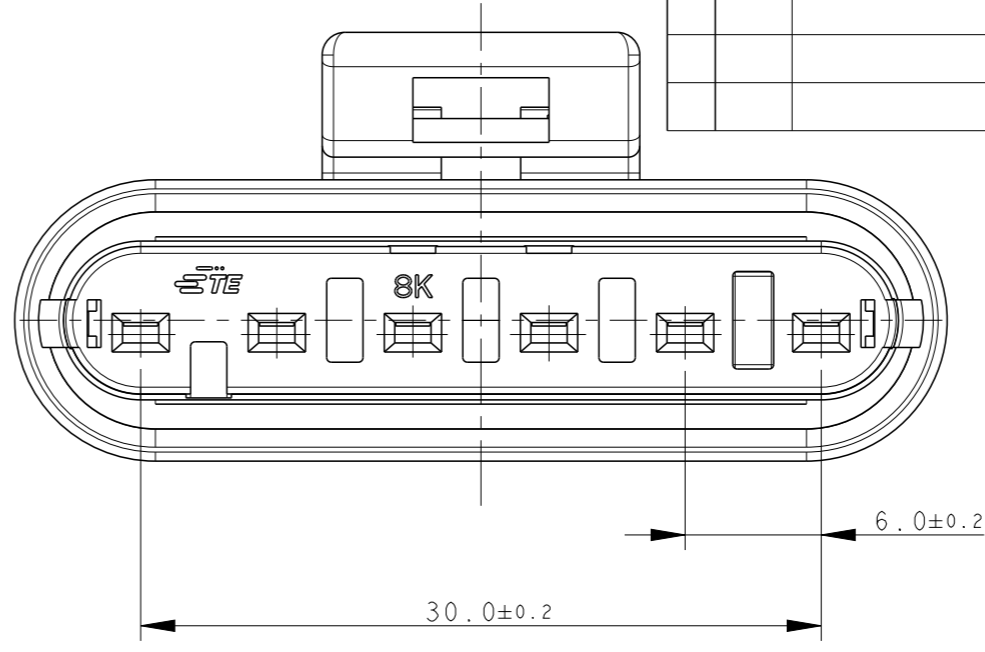
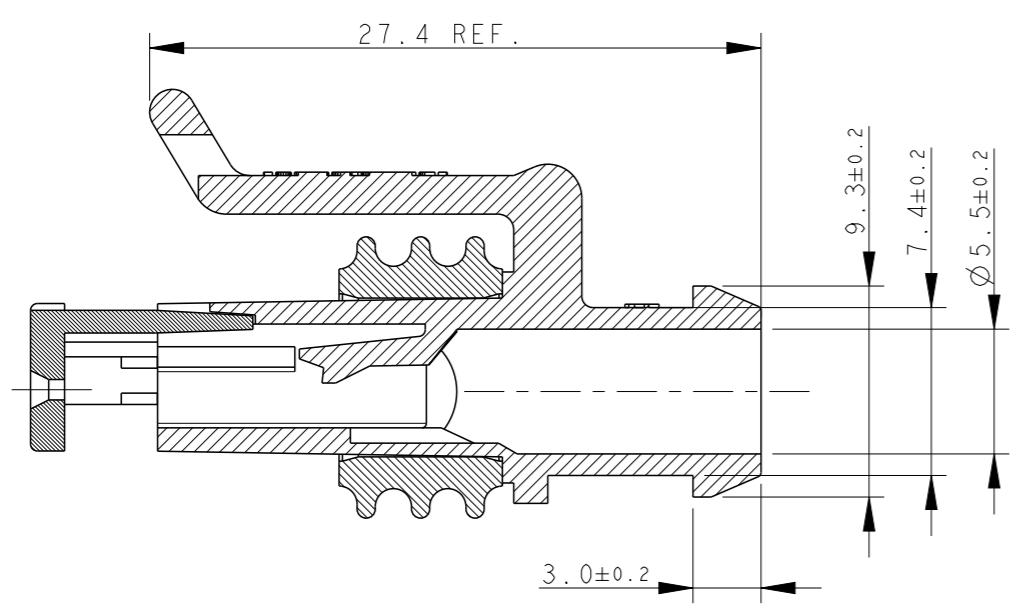


THIS DRAWING IS UNPUBLISHED. RELEASED FOR PUBLICATION 2011 ALL RIGHTS RESERVED.

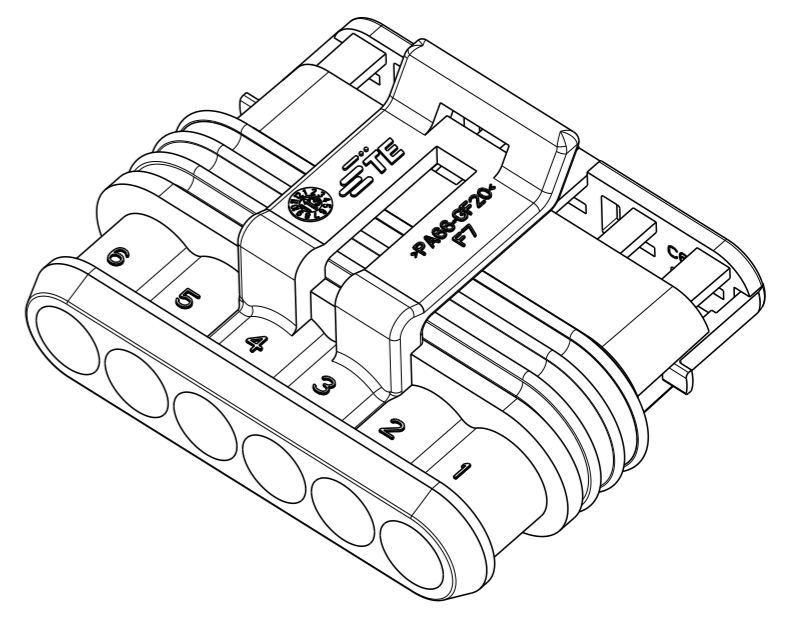
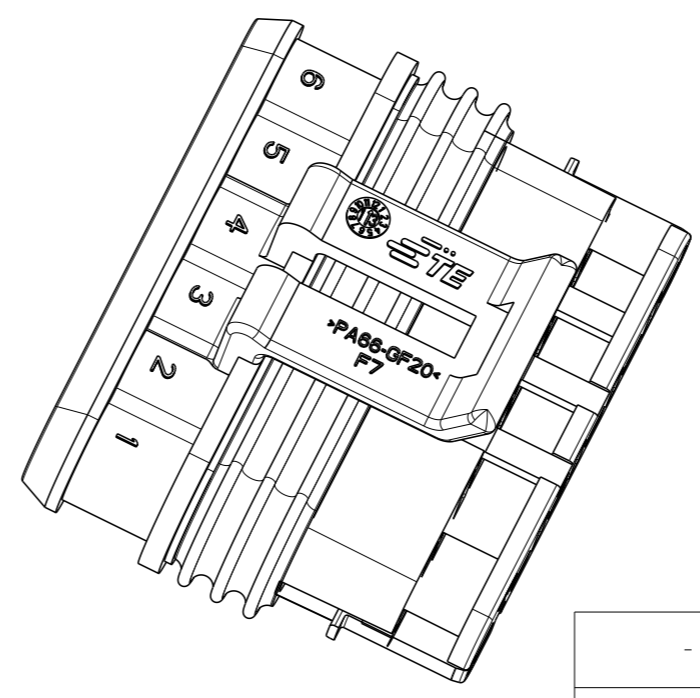
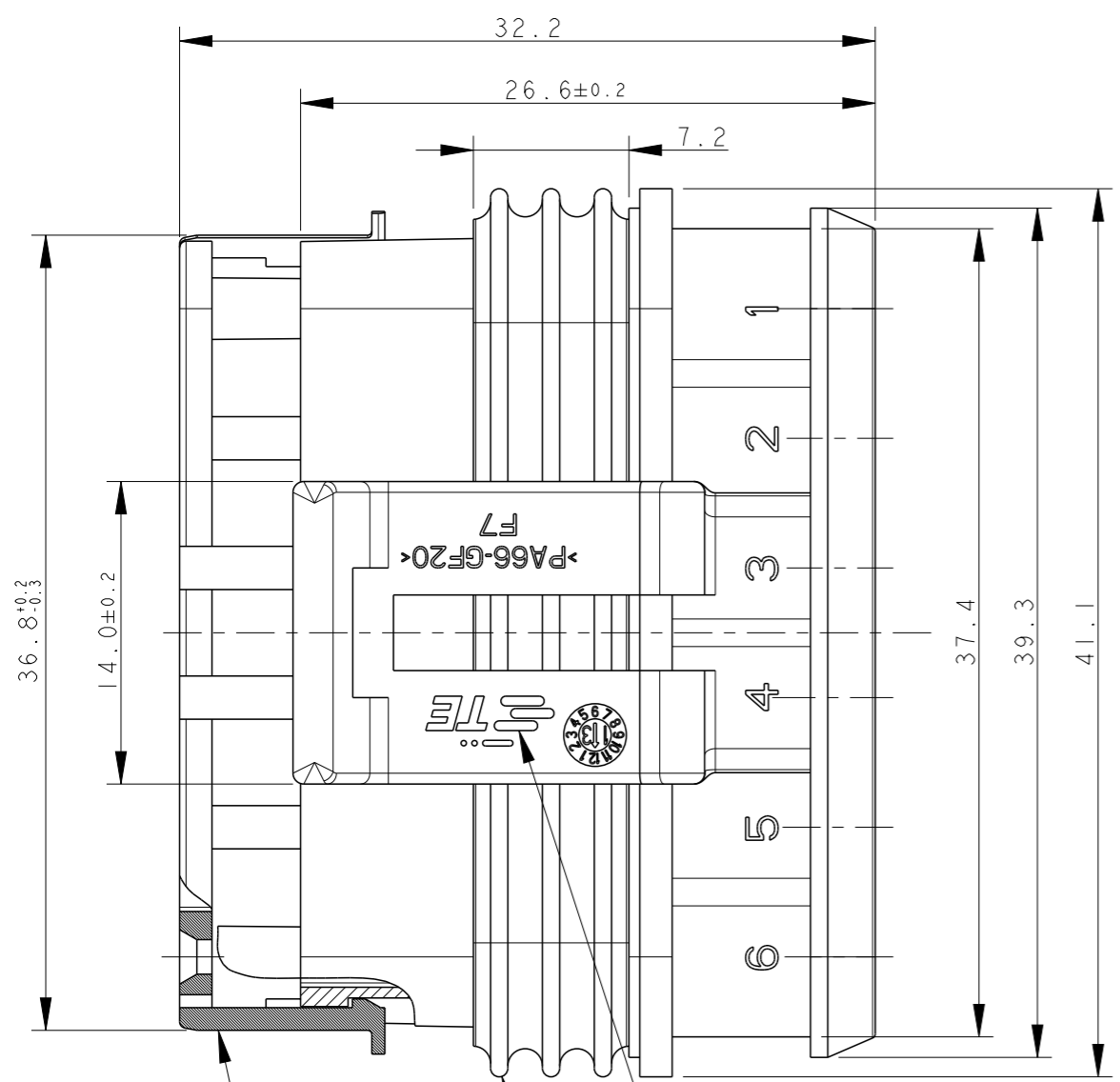
© COPYRIGHT 2011

REVISIONS

P	LTR	DESCRIPTION	DATE	DWN	APVD
	D	ECR-14-009314	24MAR2015	M.P.	M.G.



NOT YET RELEASED FOR PRODUCTION



1) FOR COUNTERPART DETAILS, SEE SHEET 2 OF 2

NOTE	FINISH/COLOR	MATERIAL	PART NUMBER
-	BLACK	PA66-GF	1745058-1

TE CONNECTIVITY TRADE MARK, (IN ALTERNATIVE: "AMP" LOGO, OR "Tyco Electronics" LOGO)

SEALING (SILICONE RUBBER)

PRE-ASSEMBLED SECONDARY LOCK (RED COLOR)

THIS DRAWING IS A CONTROLLED DOCUMENT.

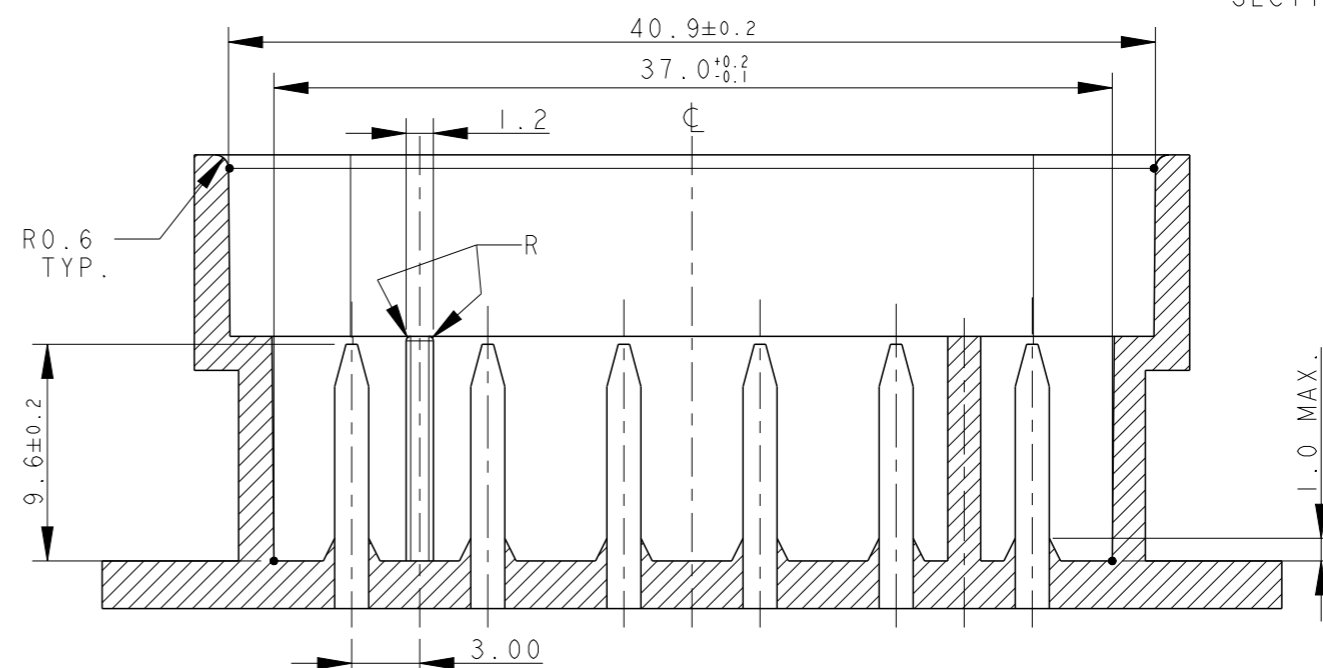
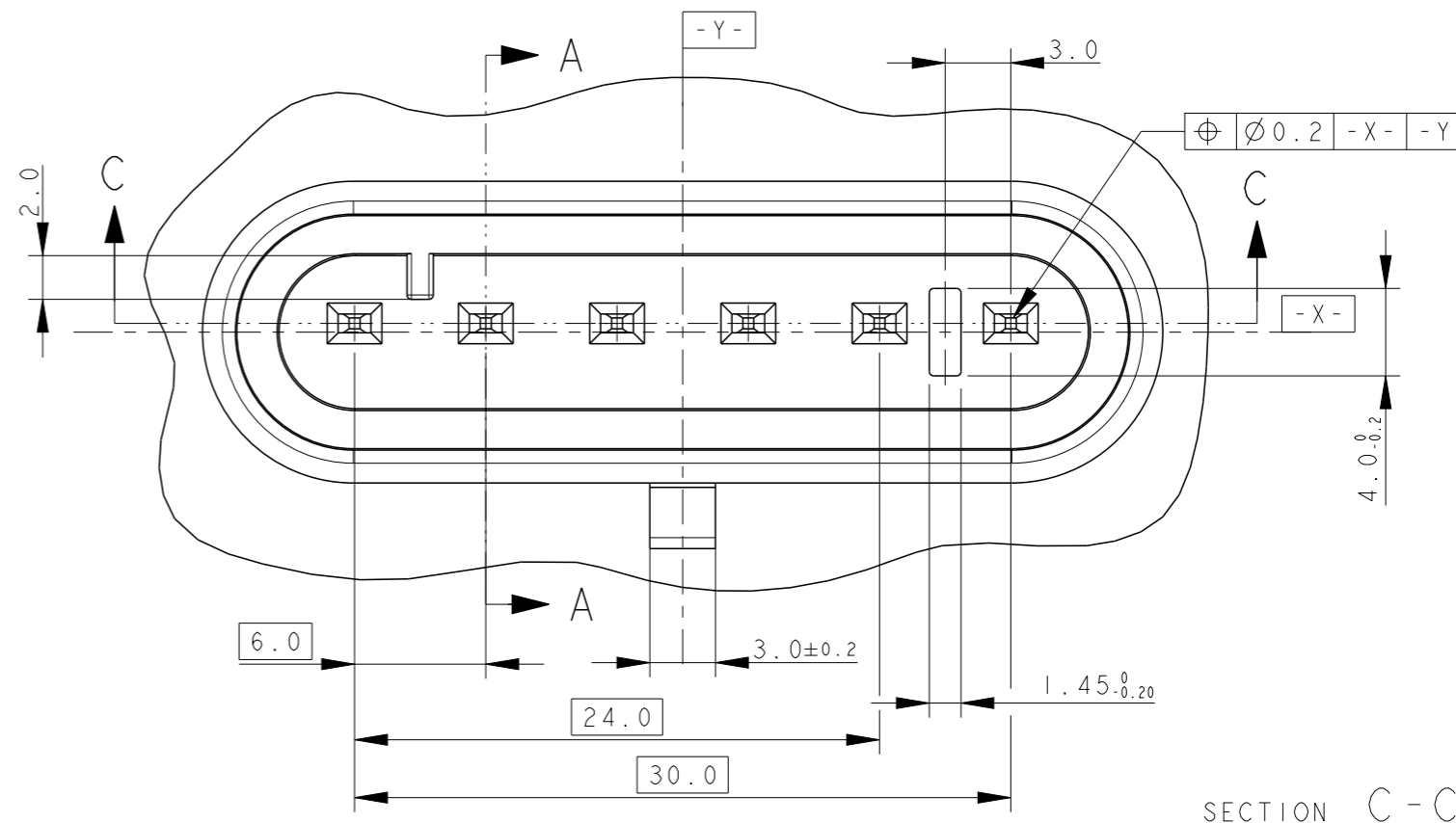
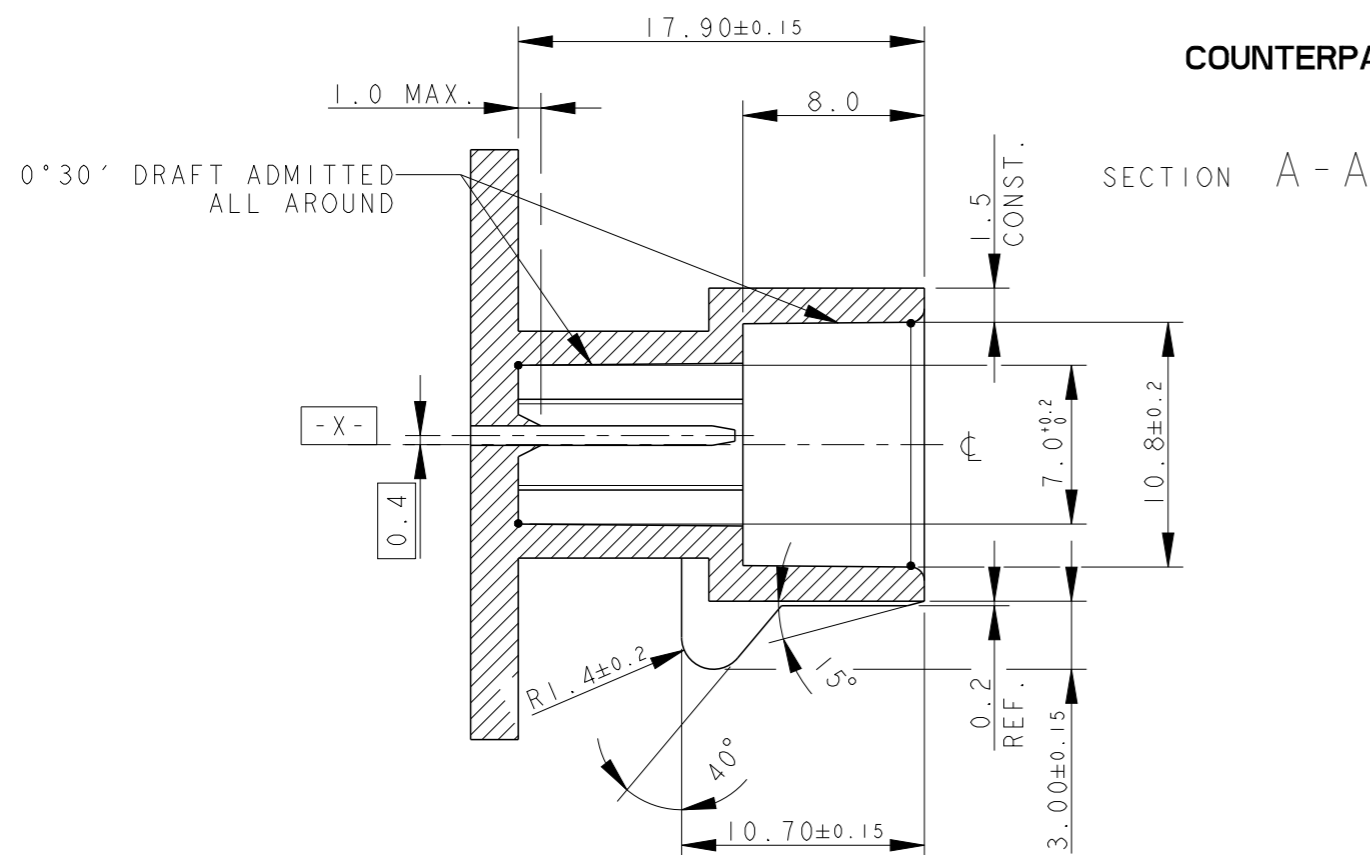
DIMENSIONS: mm	TOLERANCES UNLESS OTHERWISE SPECIFIED:
	0 PLC ±-
	1 PLC ±0.3
	2 PLC ±-
	3 PLC ±-
	4 PLC ±-
	ANGLES ±2°
MATERIAL SEE TABLE (VEDI TABELLA)	FINISH SEE TABLE (VEDI TABELLA)

DWN M. PALMA	22-06-2005
CHK R. MARTINI	22-06-2005
APVD	-
PRODUCT SPEC	108-20090
APPLICATION SPEC	412-20000
WEIGHT	6.55gr
CUSTOMER DRAWING	

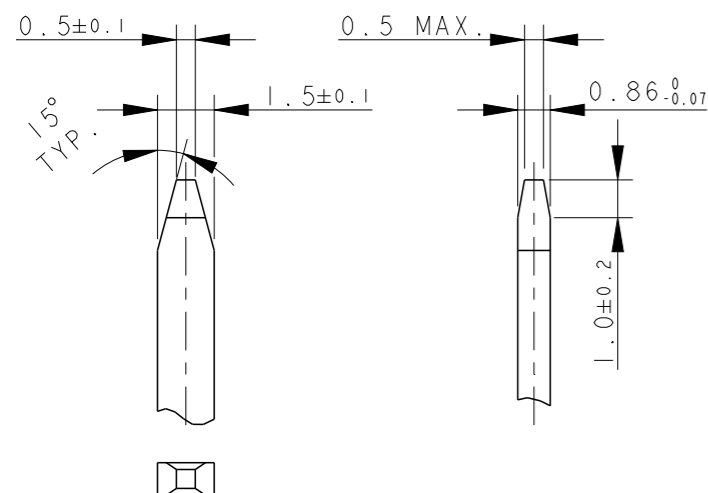
		TE Connectivity	
		AMP SUPERSEAL 1.5 SRS. 6 POSITIONS PLUG ASS'Y	
NAME	-	SIZE	A300779
CAGE CODE	C=1745058	DRAWING NO	1745058
RESTRICTED TO	-	SCALE	3:1
		SHEET	1 OF 2
		REV	D

P	LTR	DESCRIPTION	DATE	DWN	APVD
		SEE SHEET 1			

### COUNTERPART DETAILS



### TAB DETAILS



THIS DRAWING IS A CONTROLLED DOCUMENT.		DWN M. PALMA 22-06-2005	<b>TE Connectivity</b>		
DIMENSIONS: mm		CHK R. MARTINI 22-06-2005			
TOLERANCES UNLESS OTHERWISE SPECIFIED:		APVD -	NAME -		
<ul style="list-style-type: none"> <li>0 PLC ±-</li> <li>1 PLC ±0.3</li> <li>2 PLC ±-</li> <li>3 PLC ±-</li> <li>4 PLC ±-</li> <li>ANGLES ±2°</li> </ul>		PRODUCT SPEC 108-20090	AMP SUPERSEAL 1.5 SRS. 6 POSITIONS PLUG ASS'Y		
MATERIAL		APPLICATION SPEC 412-20000	SIZE A300779	CAGE CODE C-1745058	RESTRICTED TO -
FINISH		WEIGHT -	DRAWING NO -		
		CUSTOMER DRAWING		SCALE 5:1	SHEET 2 OF 2
		REV D			

MATERIALS: PA66-GF FOR HOUSING  
TIN PLATED BRASS FOR TABS

## X-ON Electronics

Largest Supplier of Electrical and Electronic Components

*Click to view similar products for [Automotive Connectors](#) category:*

*Click to view products by [TE Connectivity](#) manufacturer:*

Other Similar products are found below :

[003-018-000](#) [60403001](#) [60993906-B](#) [M902-2131](#) [M902-2161](#) [M902-2344](#) [72.330.1035.1](#) [73.353.4028.0](#) [F119300-B](#) [F166900](#) [F258300-B](#)  
[F358300-B](#) [F407400](#) [F444110](#) [F487000](#) [F509500B-B](#) [827153-1](#) [8N1515-32-24P](#) [9-1326729-8](#) [925474-1](#) [928905-1](#) [964562-4](#) [968782-1](#)  
[GT17SA-8DS-HU](#) [98891-1012](#) [98947-1016](#) [12004147](#) [12004475-L](#) [12010290](#) [12010309-B](#) [12015454](#) [12020219-B](#) [12041318-B](#) [12052225-](#)  
[L](#) [12052466](#) [12064869](#) [12004327-B](#) [12015308](#) [12015384](#) [12015909](#) [1-21030-1](#) [12041254](#) [12041318](#) [12047946-B](#) [12047957](#) [12047957-L](#)  
[12059473](#) [12066261](#) [12110546](#) [12110546-B](#)