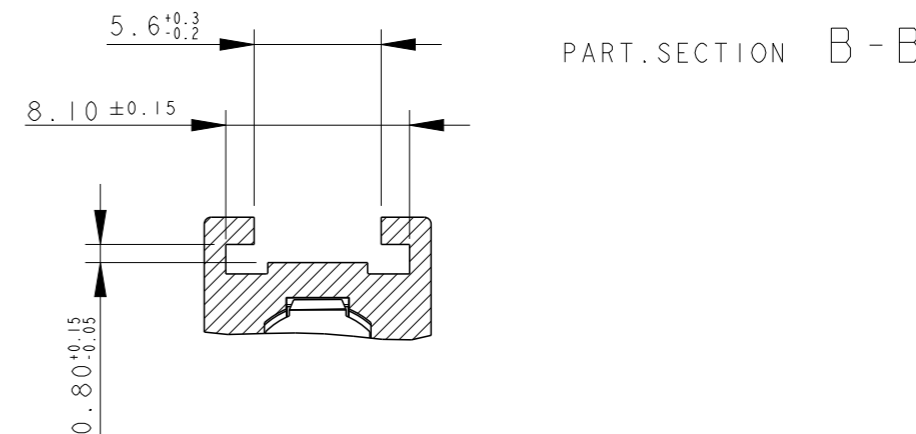
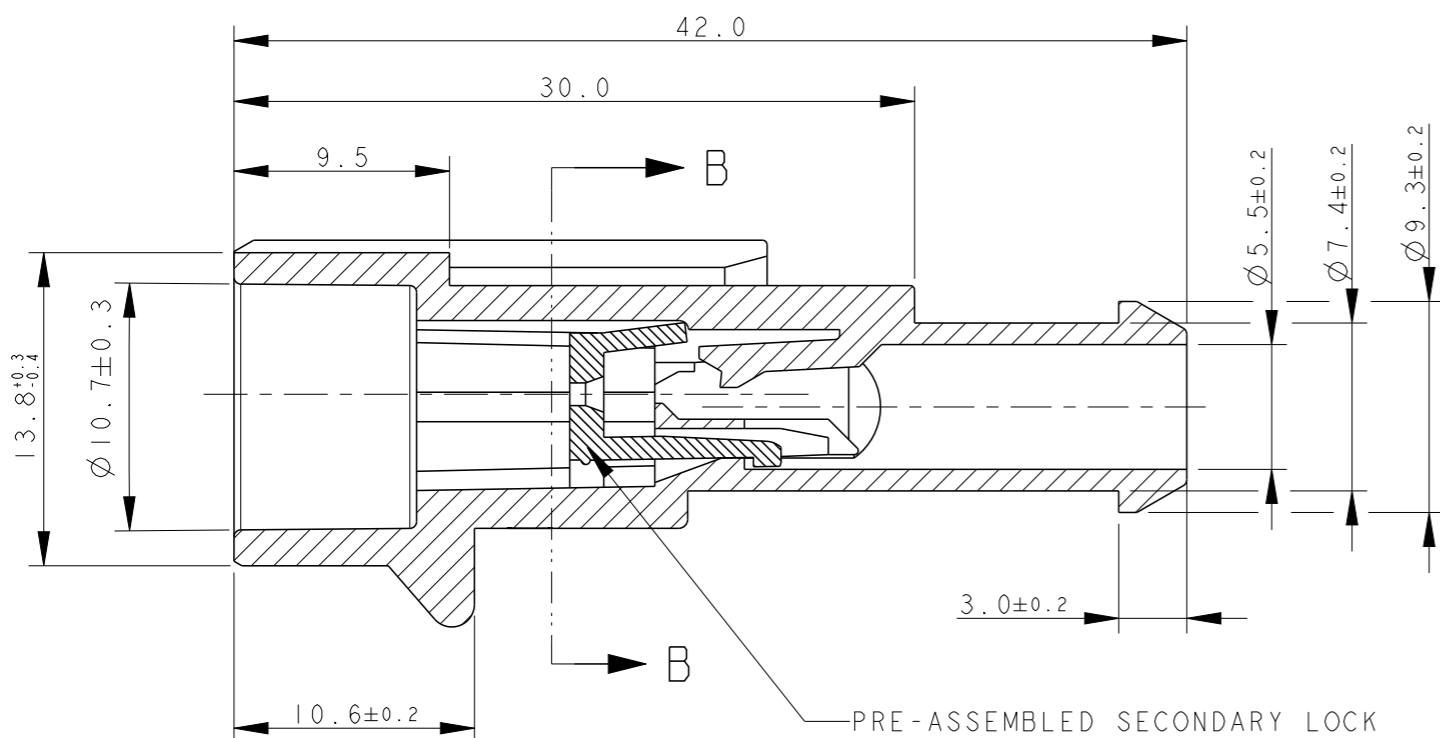
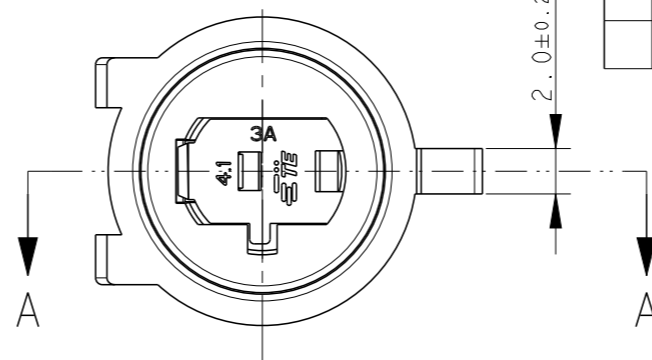
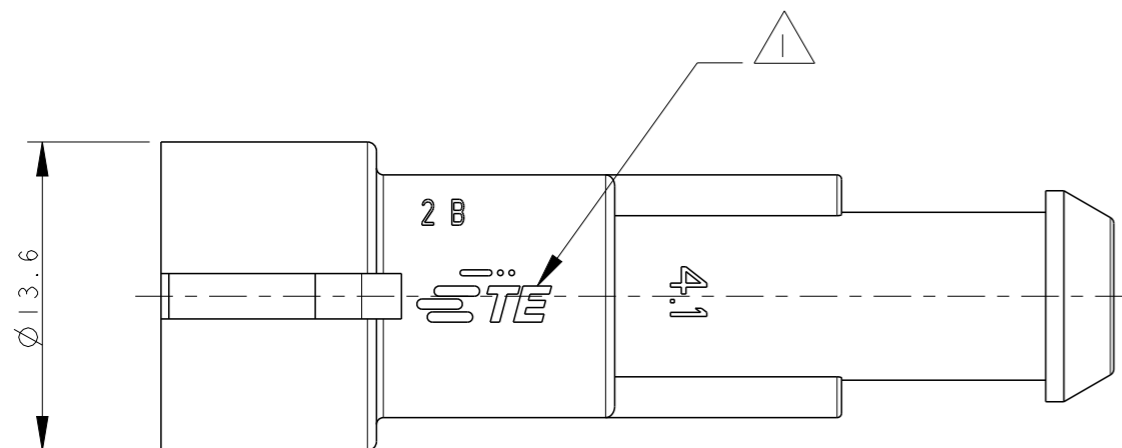


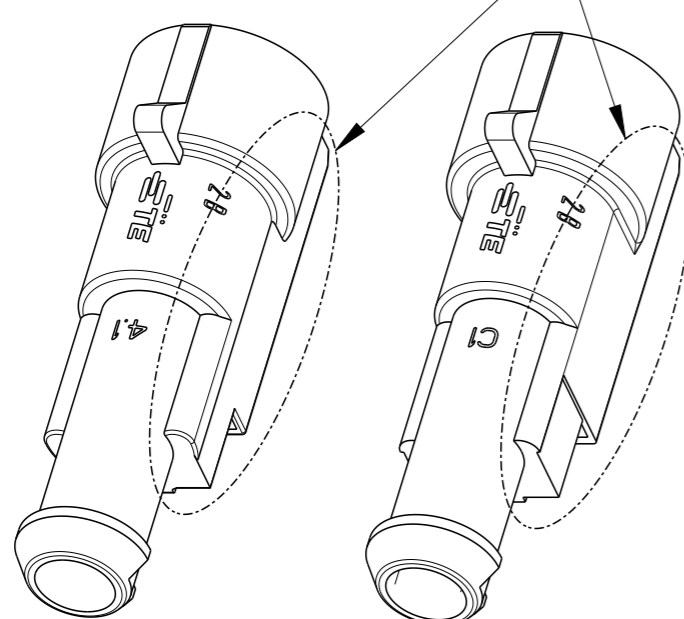
REVISIONS

P	LTR	DESCRIPTION	DATE	DWN	APVD
B1		REVISED (ECO-17-009774)	06SEP2017	M.G.	M.G.
B2		REVISED PER ECO-18-003893	05MAR2018	AP	VN
B3		REVISED PER ECO-20-002019	12FEB2020	AP	VN



PRE-ASSEMBLED SECONDARY LOCK (RED COLOR)

OPTIONAL SHAPE OF OUTER PROFILE



- 1 TE CONNECTIVITY TRADE MARK, (IN ALTERNATIVE: "AMP" LOGO, OR "Tyco Electronics" LOGO)
- 2 PRELIMINARY

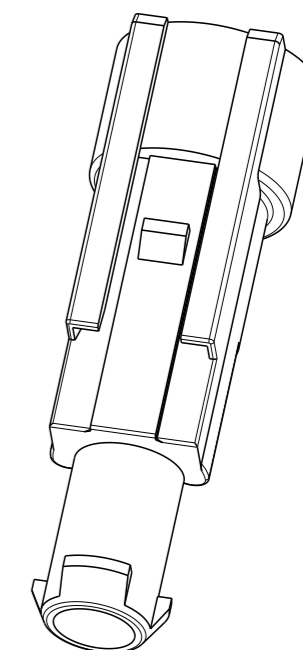
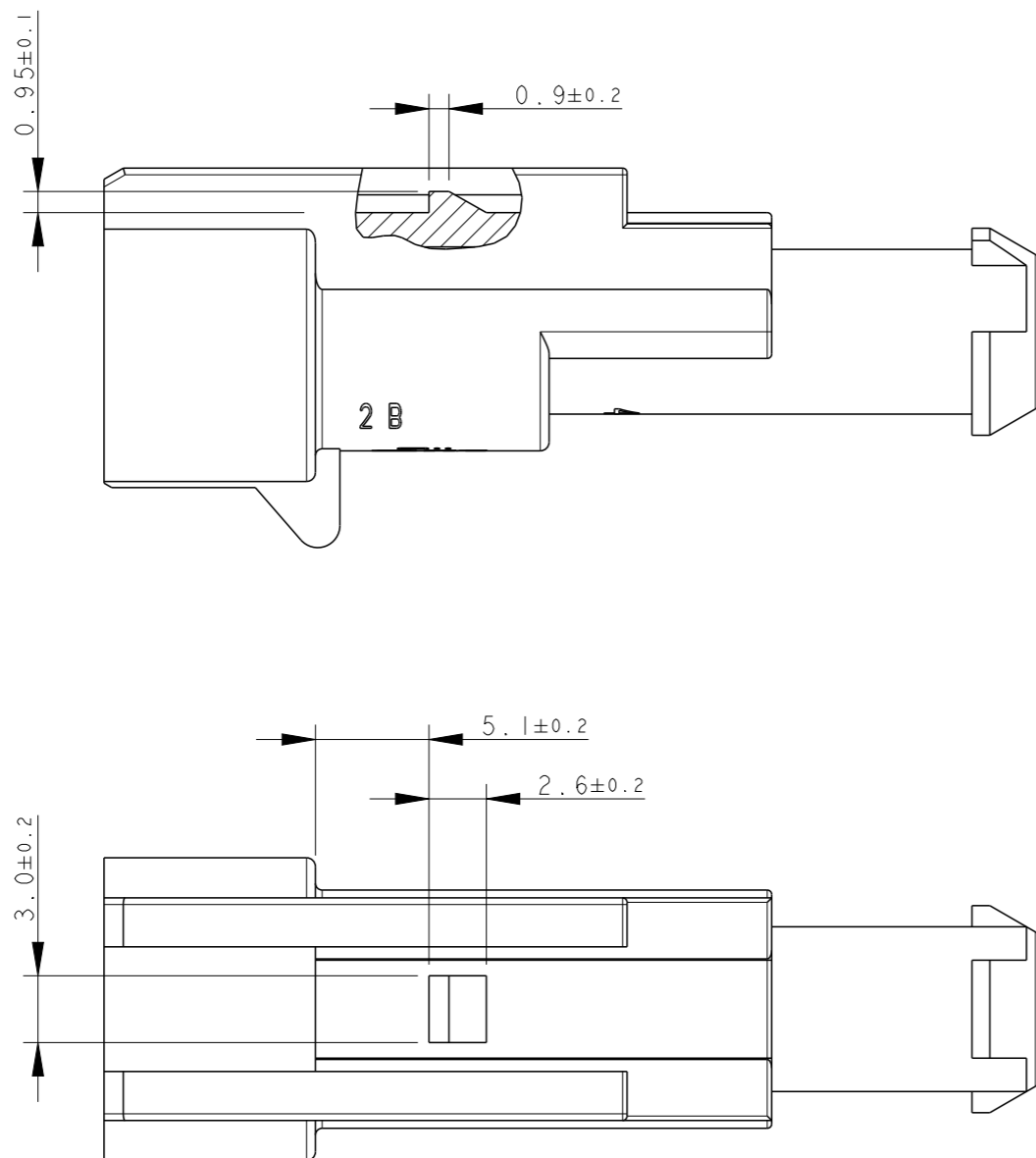
2	BROWN	PA66-GF	B	4-282103-1
	GRAY	PA66-GF	B	282103-2
	BLACK	PA66-GF	B	282103-1
	FINISH/COLOR	MATERIAL	REV	PART NUMBER

THIS DRAWING IS A CONTROLLED DOCUMENT.		DWN C. BERTINI 02-1990	TE Connectivity	
DIMENSIONS: mm		CHK A. BRUNI 02-1990		
TOLERANCES UNLESS OTHERWISE SPECIFIED:		APVD -	NAME AMP SUPERSEAL 1.5 SRS. 1 POSITION TAB ASS'Y	
0 PLC ±-		PRODUCT SPEC 108-20090	-	
1 PLC ± 0.3		APPLICATION SPEC 412-20000	-	
2 PLC ±-		WEIGHT 2.83g	SIZE A3	CAGE CODE 00779
3 PLC ±-			DRAWING NO C-282103	RESTRICTED TO -
4 PLC ±-				
ANGLES ± 2°				
MATERIAL SEE TABLE				
FINISH SEE TABLE				
		Customer Drawing	SCALE 3:1	SHEET 1 OF 2
				REV B3

REVISIONS

P	LTR	DESCRIPTION	DATE	DWN	APVD
-	-	SEE SHEET 1	-	-	-

REFER SHEET 1 FOR MISSING DIMENSIONS



PRELIMINARY

4-282103-1 AS SHOWN

THIS DRAWING IS A CONTROLLED DOCUMENT.

DWN C. BERTINI 02-1990

CHK A. BRUNI 02-1990

APVD -

PRODUCT SPEC

108-20090

APPLICATION SPEC

412-20000

WEIGHT

2.83g

NAME

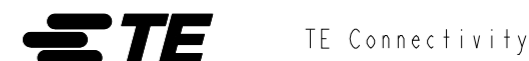
AMP SUPERSEAL 1.5 SRS. 1 POSITION TAB ASS'Y

SIZE CAGE CODE DRAWING NO RESTRICTED TO

A300779 C-282103

SCALE 3:1 SHEET 2 OF 2 REV B3

DIMENSIONS:	TOLERANCES UNLESS OTHERWISE SPECIFIED:
mm	
	0 PLC ±-
	1 PLC ± 0.3
	2 PLC ±-
	3 PLC ±-
	4 PLC ±-
	ANGLES ± 2°
MATERIAL	FINISH
SEE TABLE	SEE TABLE



X-ON Electronics

Largest Supplier of Electrical and Electronic Components

Click to view similar products for [Automotive Connectors](#) category:

Click to view products by [TE Connectivity](#) manufacturer:

Other Similar products are found below :

[003-018-000](#) [60403001](#) [60993906-B](#) [M902-2131](#) [M902-2161](#) [72.330.1035.1](#) [73.353.4028.0](#) [F119300-B](#) [F166900](#) [F258300-B](#) [F358300-B](#)
[F407400](#) [F444110](#) [F487000](#) [F509500B-B](#) [827153-1](#) [8N1515-32-24P](#) [9-1326729-8](#) [925474-1](#) [928905-1](#) [964562-4](#) [968782-1](#) [GT17SA-8DS-](#)
[HU](#) [98891-1012](#) [98947-1016](#) [12004147](#) [12004475-L](#) [12010290](#) [12010309-B](#) [12015454](#) [12020219-B](#) [12020308](#) [12041318-B](#) [12052225-L](#)
[12052466](#) [12059125](#) [12064869](#) [12004327-B](#) [12010503-B](#) [12015308](#) [12015384](#) [12015909](#) [1-21030-1](#) [12041254](#) [12041318](#) [12047946-B](#)
[12047957](#) [12047957-L](#) [12059473](#) [12066261](#)