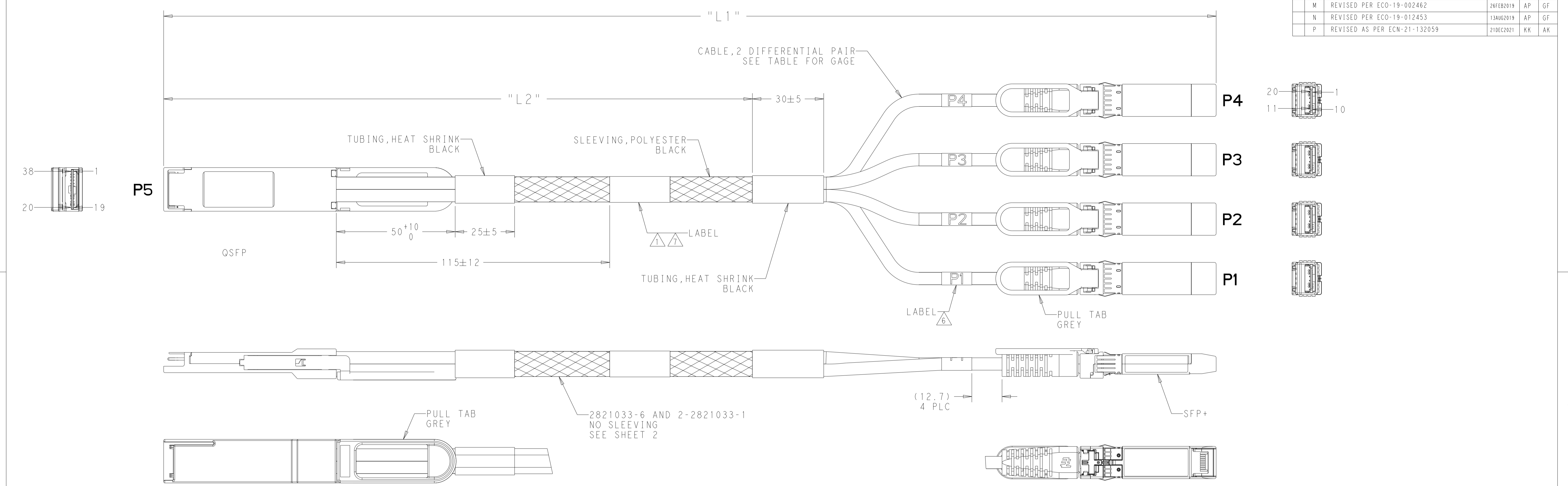
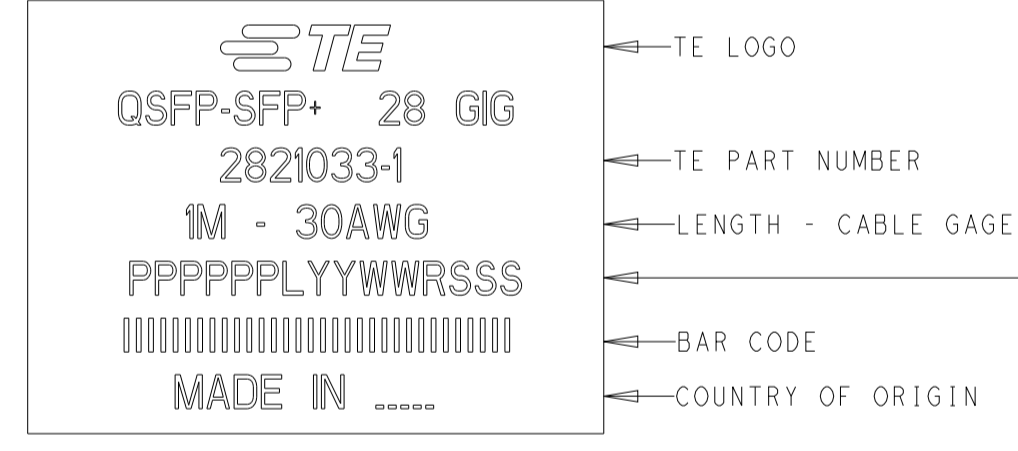


REVISIONS				
P	LTN	DESCRIPTION	DATE	APVD
J1		REVISED PER ECO-18-011943	26JUL2018	CP GF
M		REVISED PER ECO-19-002462	26FEB2019	AP GF
N		REVISED PER ECO-19-012453	13AUG2019	AP GF
P		REVISED AS PER ECN-21-132059	21DEC2021	KK AK



△ LABEL INFORMATION: -1 SHOWN.



SERIAL NUMBER:  
 P P P P P - 5-DIGIT, BASE 34, ALPHANUMERIC CHARACTERS (EXCLUDES 1 AND 0)  
 L = MANUFACTURING LOCATION CODE  
 Y Y W W = DATE CODE, 2-DIGIT YEAR, 2-DIGIT WEEK  
 R = 0 AND 1 FOR PCBA TRACEABILITY  
 S S S = 3-DIGIT, BASE 34, SERIAL ALPHANUMERIC CHARACTERS (EXCLUDES 1 AND 0)

- SEE SHEET 2 FOR WIRING SCHEMATIC.
- PRODUCT AND PROCESSING MEETS THE REQUIREMENTS OF TE SPECIFICATION TEC-138-702 (CONTAINS NO BANNED OR RESTRICTED SUBSTANCES).
- CABLE ASSEMBLY TO BE TESTED FOR OPENS, SHORTS AND PROPER EEPROM PROGRAM.

△ DUE TO SHORT CABLE LENGTH, THE PART NUMBERS INDICATED MAY NOT MEET IEEE802.3bj. RETURN LOSS AND MINIMUM INSERTION LOSS LIMITS.

△ LABEL INFORMATION: P1 SHOWN



△ SEE SHEET 2 FOR 2821033-6 AND 2-2821033-1 LABEL PLACEMENT.

PLC	Length	Weight	Part No.
30	120 ±12	500 +50/-0	2-2821033-1
30	1500 ±25	3500 +80/-0	2-2821033-0
28	1500 ±25	3500 +80/-0	1-2821033-9
30	1000 ±25	2500 +80/-0	1-2821033-8
24	2000 ±25	5000 +80/-0	1-2821033-6
26	1000 ±25	3000 +80/-0	1-2821033-2
24	2000 ±25	6000 +80/-0	1-2821033-1
30	700 ±25	2000 +80/-0	1-2821033-0
30	500 ±25	1500 +50/-0	2821033-9
33	330 ±25	1000 +50/-0	2821033-8
33	500 ±25	1500 +50/-0	2821033-7
33	-	500 +50/-0	2821033-6
26	1500 ±25	4000 +80/-0	2821033-5
28	1000 ±25	3000 +80/-0	2821033-4
26	2000 ±25	5000 +80/-0	2821033-3
30	1000 ±25	3000 +80/-0	2821033-2
30	330 ±25	1000 +50/-0	2821033-1
GAGE	"L2"	"L1"	PART NO

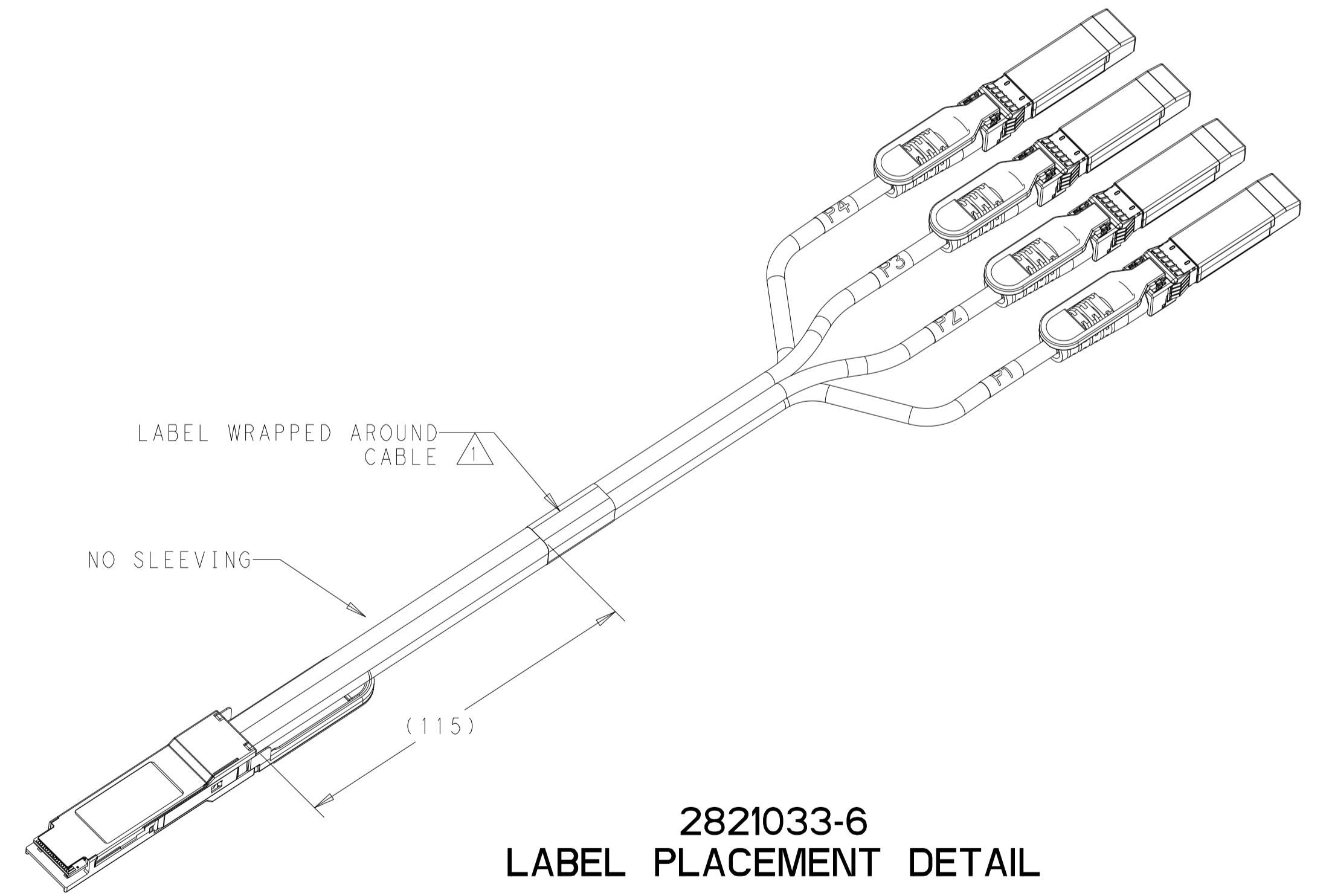
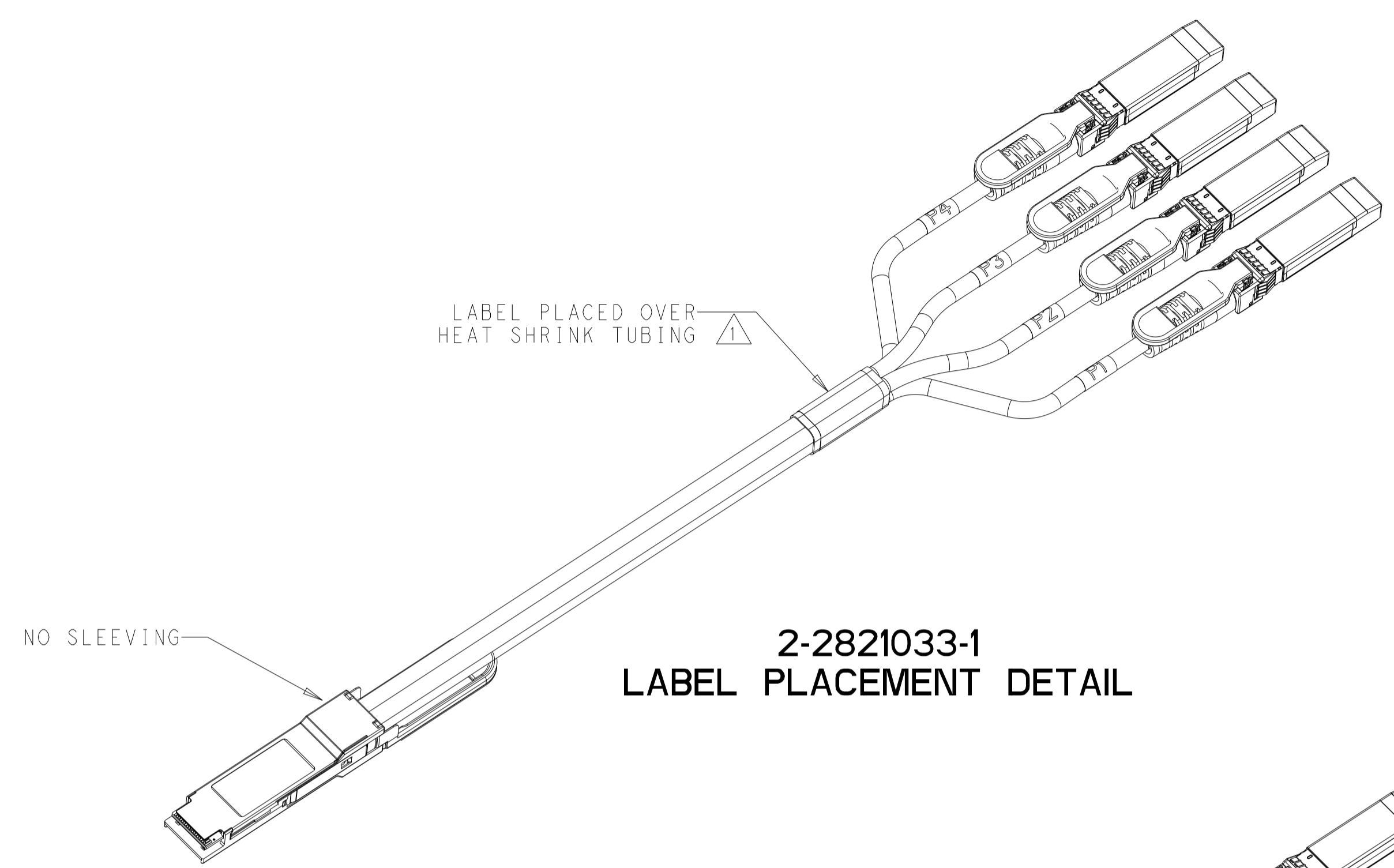
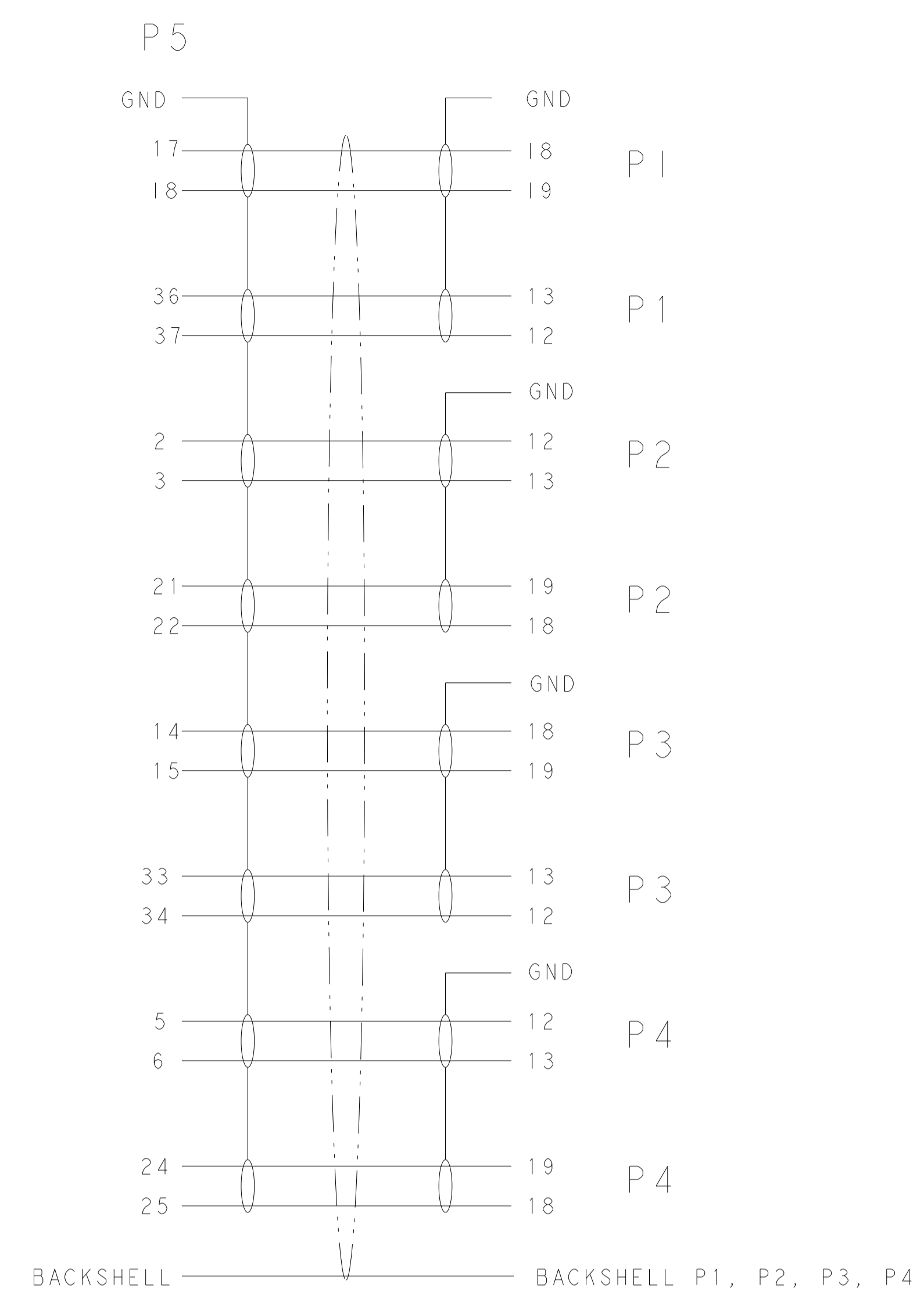
THIS DRAWING IS A CONTROLLED DOCUMENT.

TE Connectivity

CABLE ASSEMBLY, QSFP28 TO (4) SFP+

SCALE: 5:4 SHEET 1 OF 2 REV P

REVISIONS				
P	LTN	DESCRIPTION	DATE	APVD
-	-	SEE SHEET 1	-	-



THIS DRAWING IS A CONTROLLED DOCUMENT.		DWN T. SMITH 02MAR2017 CHK E. CUESTA 02MAR2017 APVD E. CUESTA 02MAR2017		
DIMENSIONS: mm 0 PLC ± 1 PLC ± 2 PLC ± 3 PLC ± 4 PLC ± ANGLES ± FINISH ±		TOLERANCES UNLESS OTHERWISE SPECIFIED: 0 PLC ± 1 PLC ± 2 PLC ± 3 PLC ± 4 PLC ± ANGLES ± FINISH ±		NAME CABLE ASSEMBLY, QSFP28 TO (4) SFP+ SIZE A1 CAGE CODE - DRAWING NO. C=2821033 RESTRICTED TO
MATERIAL		WEIGHT	SCALE 3:2	SHEET 2 OF 2
CUSTOMER DRAWING		REV P		

## X-ON Electronics

Largest Supplier of Electrical and Electronic Components

*Click to view similar products for [Ethernet Cables / Networking Cables](#) category:*

*Click to view products by [TE Connectivity](#) manufacturer:*

Other Similar products are found below :

[73-6670-7](#) [73-6680-15](#) [73-7797-25](#) [MCJB2-10P6Q7-120](#) [84909-0204](#) [1200700174](#) [1200860368](#) [E16A06002M030](#) [E200102-009-S1](#)  
[AX105346-EW](#) [MT14-187L](#) [17-103530](#) [ERWPAB3002M005](#) [190-038045-01](#) [NK5EPC18RDY](#) [NK5EPC18VLY](#) [NK5EPC18YLY](#)  
[NK5EPC1GRY](#) [NK5EPC4Y](#) [NK5EPC6YLY](#) [NK5EPC8BLY](#) [NK5EPC9YLY](#) [1969343-6](#) [C501100010](#) [C501106002](#) [C501106007](#)  
[C501106015](#) [C501106025](#) [C601102010](#) [C601104010](#) [C601106007](#) [C601106015](#) [2142758-2](#) [2168427-2](#) [CAT1106007](#) [21949-1](#) [2J1866A](#)  
[RJF SFTP 5E 0500](#) [AX100351](#) [MN14CEC/ST](#) [C501100015](#) [C501106004](#) [C501106010](#) [C5F1108007](#) [C601104004](#) [C601106004](#)  
[CA21106004](#) [CA21106010](#) [CA21106015](#) [CA21109007](#)