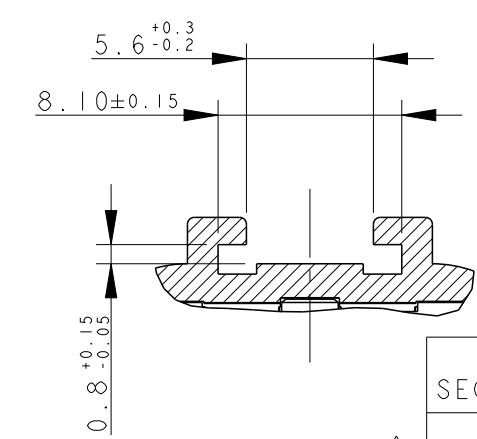
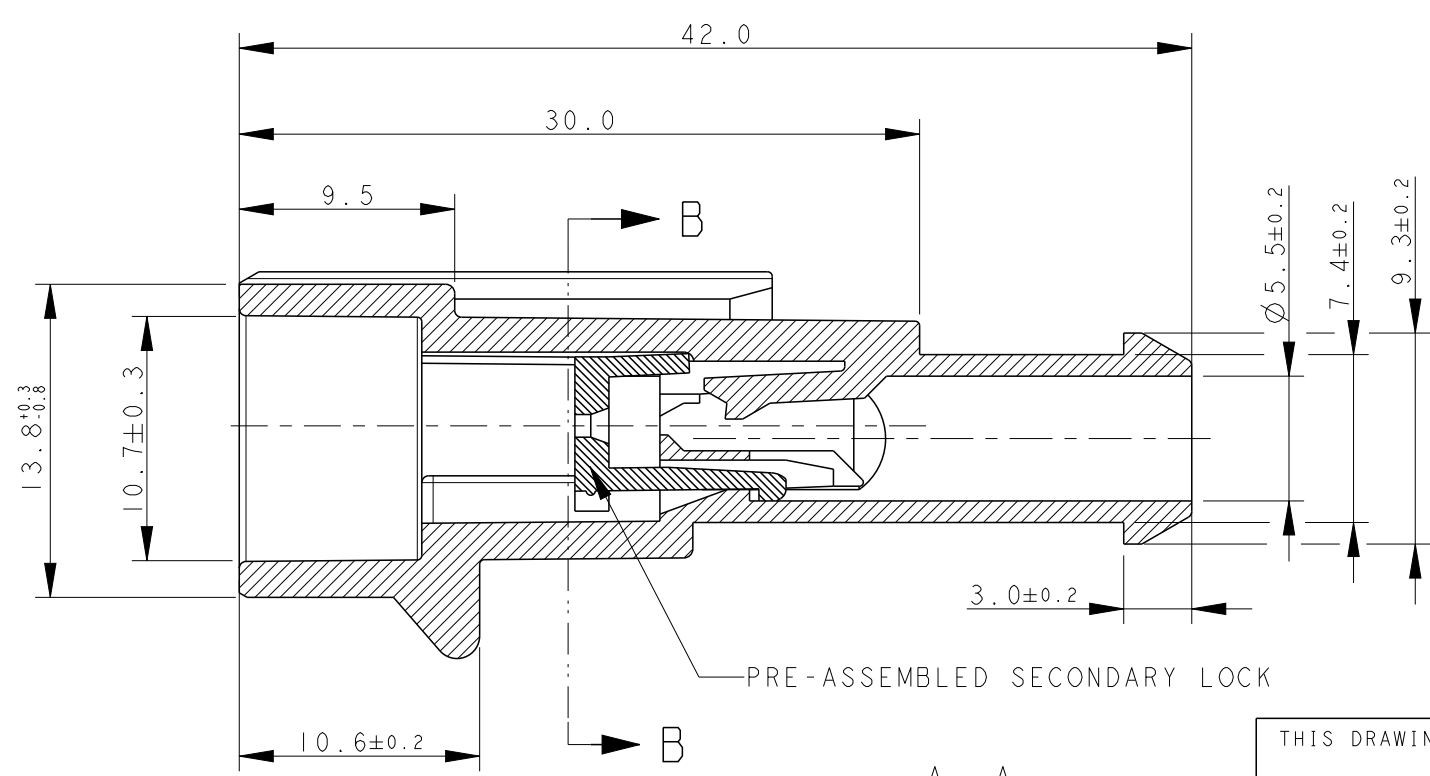
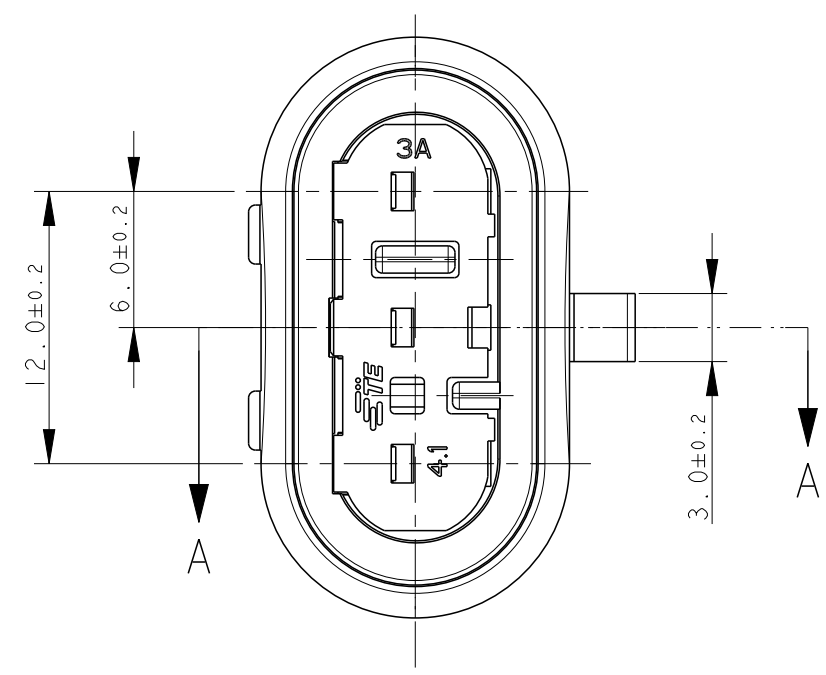
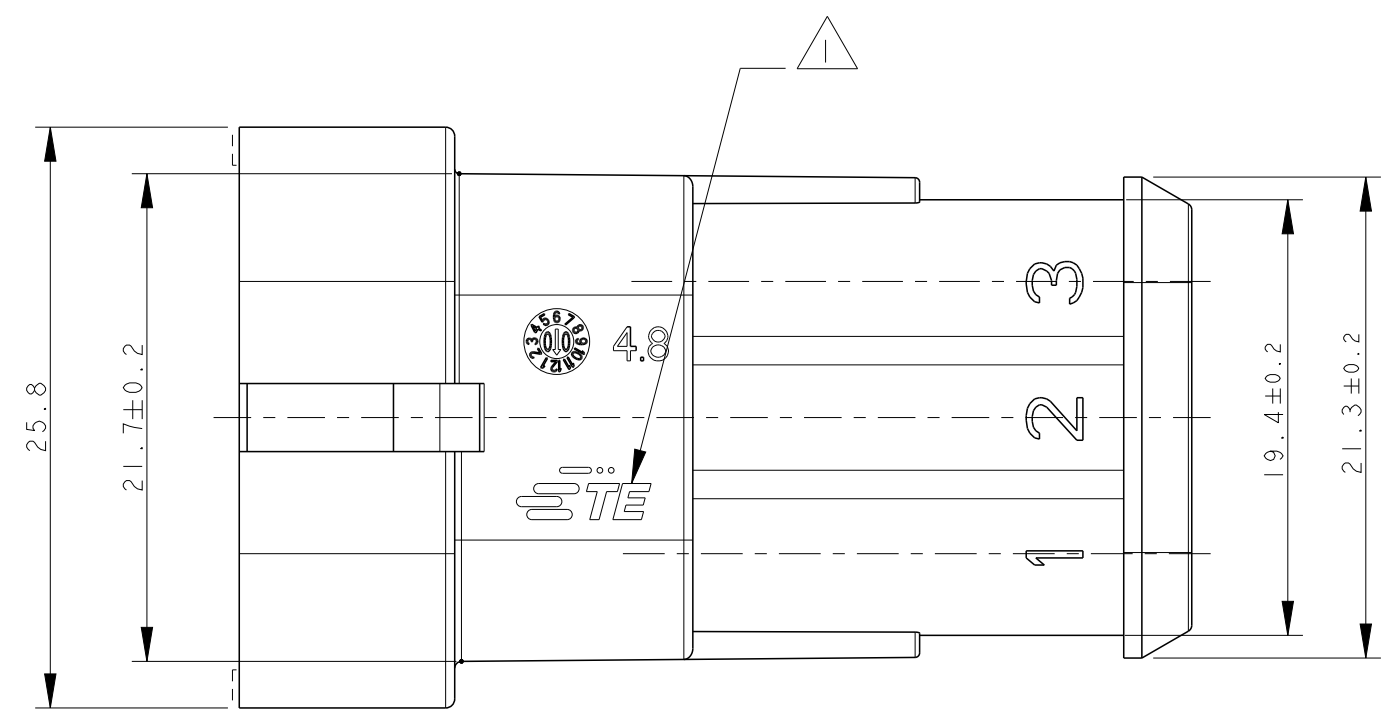


THIS DRAWING IS UNPUBLISHED. RELEASED FOR PUBLICATION 2009
 © COPYRIGHT 2009 BY - ALL RIGHTS RESERVED.

REVISIONS					
P	LTR	DESCRIPTION	DATE	DWN	APVD
	B3	REVISED (ECO-17-009774)	06SEP2017	M.G.	M.G.
	B4	REVISED PER ECO-20-002019	12FEB2020	AP	VN



HSG: WHITE SEC. LOCK: WHITE	PA66-GF UL94-V2 ACC. TO IEC 60335-1	A	1745082-1
HSG: BROWN SEC. LOCK: RED	PA66-GF	B	4-282105-1
HSG: GRAY SEC. LOCK: RED	PA66-GF	B	282105-2
HSG: BLACK SEC. LOCK: RED	PA66-GF	B	282105-1
FINISH/COLOR	MATERIAL	REV	PART NUMBER

SECTION A - A

PRE-ASSEMBLED SECONDARY LOCK

THIS DRAWING IS A CONTROLLED DOCUMENT.

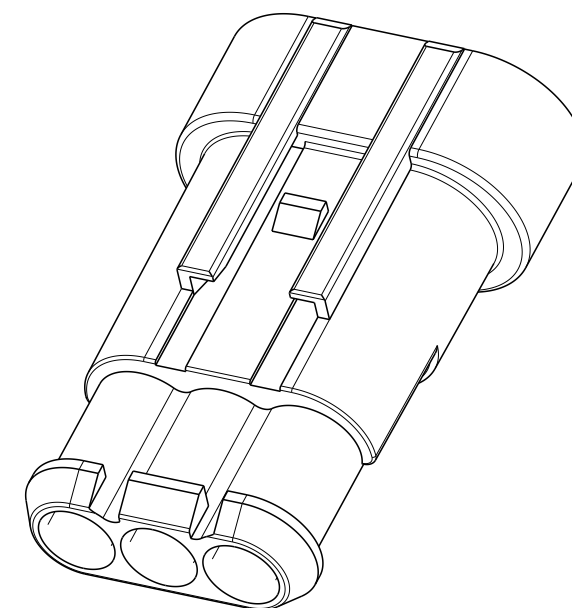
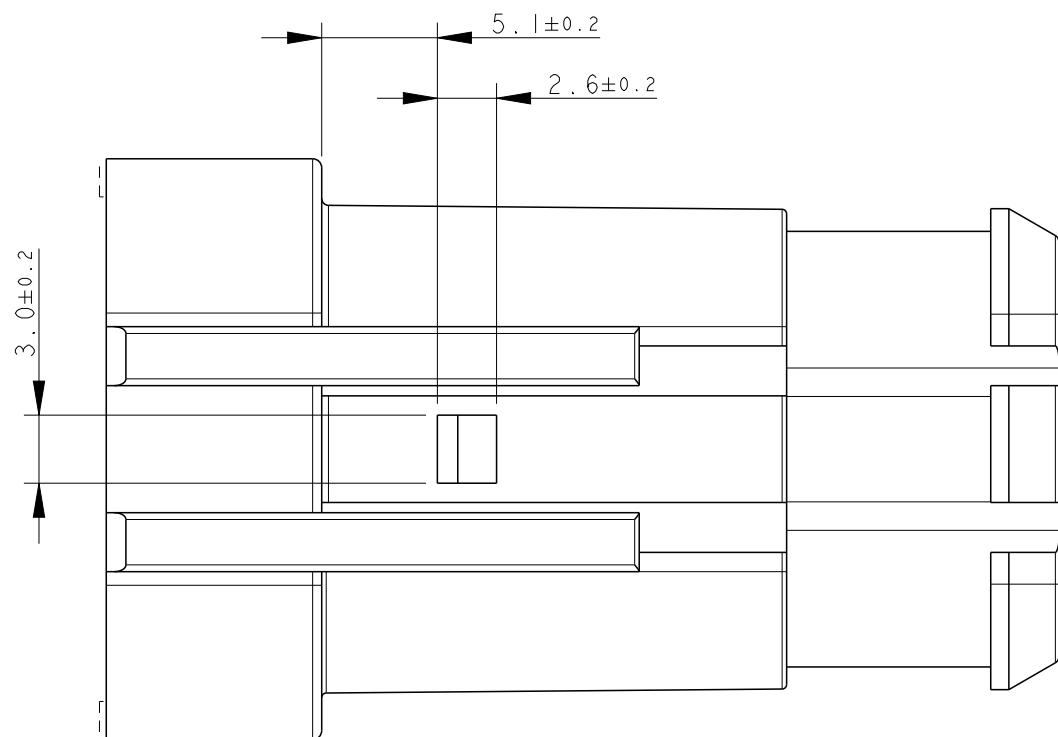
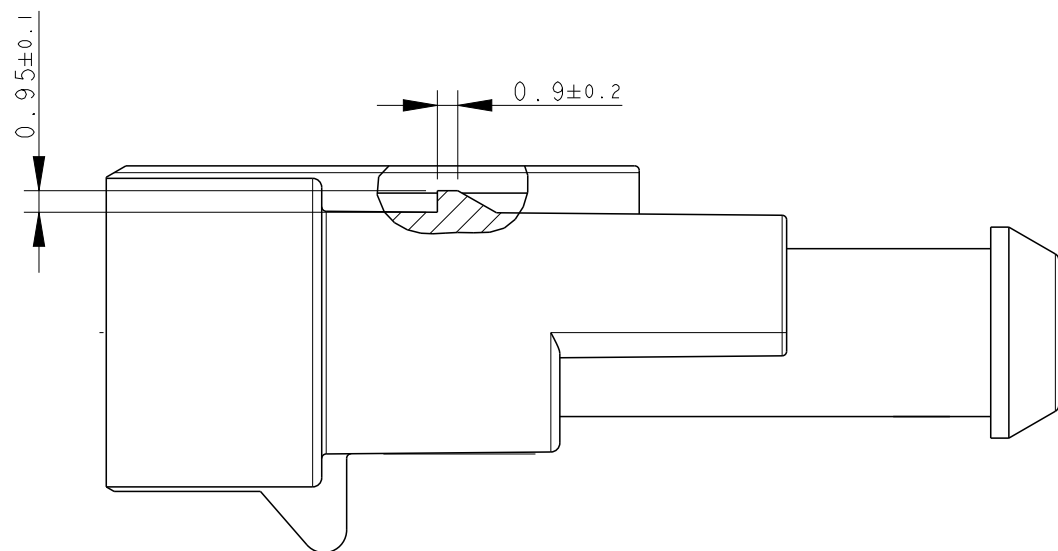
DIMENSIONS: mm	TOLERANCES UNLESS OTHERWISE SPECIFIED: 0 PLC ± 1 PLC ± 0.3 2 PLC ± 3 PLC ± 4 PLC ± ANGLES ± 2°	DWN C. BERTINI 02-1990	TE Connectivity NAME AMP SUPERSEAL 1.5 SRS. CONNECTORS 3 POSITIONS TAB ASS'Y
MATERIAL SEE TABLE	FINISH SEE TABLE	CHK A. BRUNI 02-1990	
		APVD -	
		PRODUCT SPEC 108-20090	
		APPLICATION SPEC 412-20000	SIZE A300779
		WEIGHT 5.14g	CAGE CODE C-282105
		CUSTOMER DRAWING	RESTRICTED TO
		SCALE 3:1	SHEET 1 OF 2
			REV B4

1 TE CONNECTIVITY TRADE MARK,
 (IN ALTERNATIVE: "AMP" LOGO, OR "Tyco Electronics" LOGO)
 2 PRELIMINARY

REVISIONS


P	LTR	DESCRIPTION	DATE	DWN	APVD
-	-	SEE SHEET 1	-	-	-

REFER SHEET 1 FOR MISSING DIMENSIONS



PRELIMINARY

4-282105-1 AS SHOWN

THIS DRAWING IS A CONTROLLED DOCUMENT.		DWN C. BERTINI 02-1990	 TE Connectivity		
DIMENSIONS: mm		CHK A. BRUNI 02-1990			
TOLERANCES UNLESS OTHERWISE SPECIFIED:		APVD -	NAME AMP SUPERSEAL 1.5 SRS. CONNECTORS 3 POSITIONS TAB ASS'Y		
0 PLC ±- 1 PLC ± 0.3 2 PLC ±- 3 PLC ±- 4 PLC ±- ANGLES ± 2°		PRODUCT SPEC 108-20090	SIZE A3		
MATERIAL SEE TABLE		APPLICATION SPEC 412-20000	CAGE CODE 00779	DRAWING NO C-282105	RESTRICTED TO
FINISH SEE TABLE		WEIGHT 5.14g	SCALE 3:1 SHEET 2 OF 2 REV B4		
		CUSTOMER DRAWING			

X-ON Electronics

Largest Supplier of Electrical and Electronic Components

Click to view similar products for [Automotive Connectors](#) category:

Click to view products by [TE Connectivity](#) manufacturer:

Other Similar products are found below :

[003-018-000](#) [60403001](#) [60993906-B](#) [M902-2131](#) [M902-2161](#) [M902-2344](#) [72.330.1035.1](#) [73.353.4028.0](#) [F119300-B](#) [F166900](#) [F258300-B](#)
[F358300-B](#) [F407400](#) [F444110](#) [F487000](#) [F509500B-B](#) [827153-1](#) [8N1515-32-24P](#) [9-1326729-8](#) [925474-1](#) [928905-1](#) [964562-4](#) [968782-1](#)
[GT17SA-8DS-HU](#) [98891-1012](#) [98947-1016](#) [12004147](#) [12004475-L](#) [12010290](#) [12010309-B](#) [12015454](#) [12020219-B](#) [12041318-B](#) [12052225-](#)
[L](#) [12052466](#) [12064869](#) [12004327-B](#) [12015308](#) [12015384](#) [12015909](#) [1-21030-1](#) [12041254](#) [12041318](#) [12047946-B](#) [12047957](#) [12047957-L](#)
[12059473](#) [12066261](#) [12110546](#) [12110546-B](#)