

4

3

2

1

THIS DRAWING IS UNPUBLISHED.

RELEASED FOR PUBLICATION

2009

© COPYRIGHT 2009 BY -

ALL RIGHTS RESERVED.

REVISIONS

P	LTR	DESCRIPTION	DATE	DWN	APVD
	B3	REVISED (ECO-17-009774)	06SEP2017	M.G.	M.G.
	B4	REVISED PER ECO-20-002019	12FEB2020	AP	VN
	B5	REVISED PER ECN-21-110072	21JUL2021	AP	VN

PART SECTION B - B

HSG: WHITE SEC. LOCK: WHITE	PA66-GF UL94-V2 ACC. TO IEC 60335-1	A	1745082-1
HSG: BROWN SEC. LOCK: RED	PA66-GF	B	4-282105-1
HSG: GRAY SEC. LOCK: RED	PA66-GF	B	282105-2
HSG: BLACK SEC. LOCK: RED	PA66-GF	B	282105-1
FINISH/COLOR	MATERIAL	REV	PART NUMBER

THIS DRAWING IS A CONTROLLED DOCUMENT.

DWN C. BERTINI 02-1990

CHK A. BRUNI 02-1990

APVD -

PRODUCT SPEC 108-20090

APPLICATION SPEC 412-20000

WEIGHT 5.14g

CUSTOMER DRAWING

AMP TE Connectivity
AMP SUPERSEAL 1.5 SRS. CONNECTORS
3 POSITIONS TAB ASS'Y

SIZE	CAGE CODE	DRAWING NO	RESTRICTED TO
A3	00779	C-282105	

SCALE 3:1 SHEET 1 OF 2 REV B5

DIMENSIONS:
mmTOLERANCES UNLESS
OTHERWISE SPECIFIED:

0 PLC	±
1 PLC	± 0.3
2 PLC	±
3 PLC	±
4 PLC	±
ANGLES	± 2°

MATERIAL

FINISH

SEE TABLE

SEE TABLE

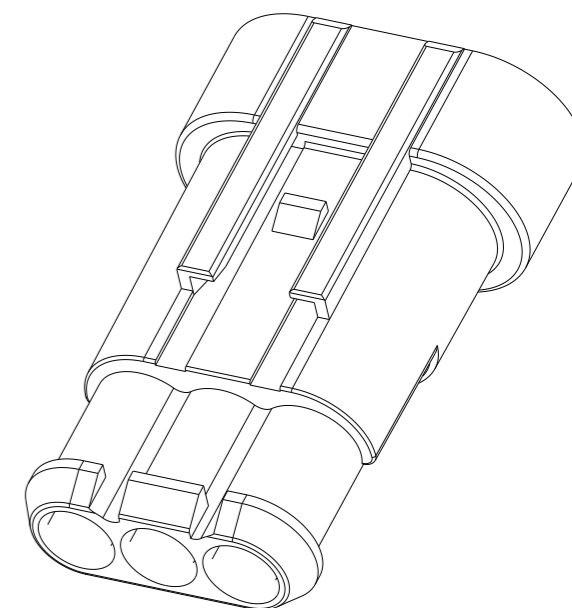
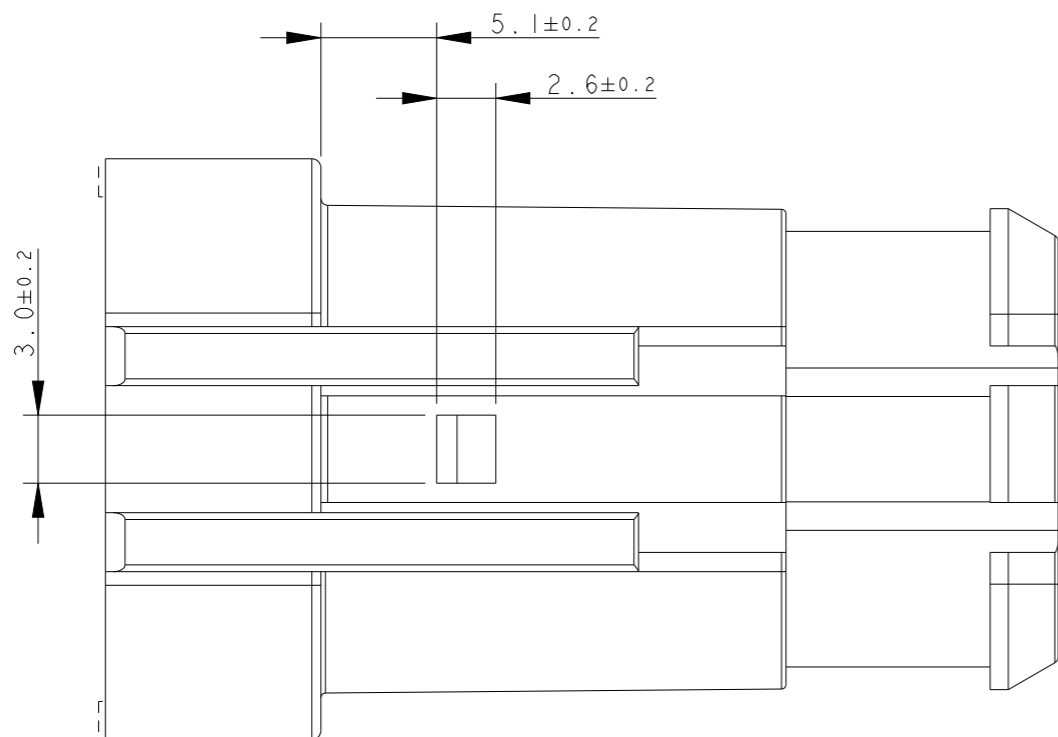
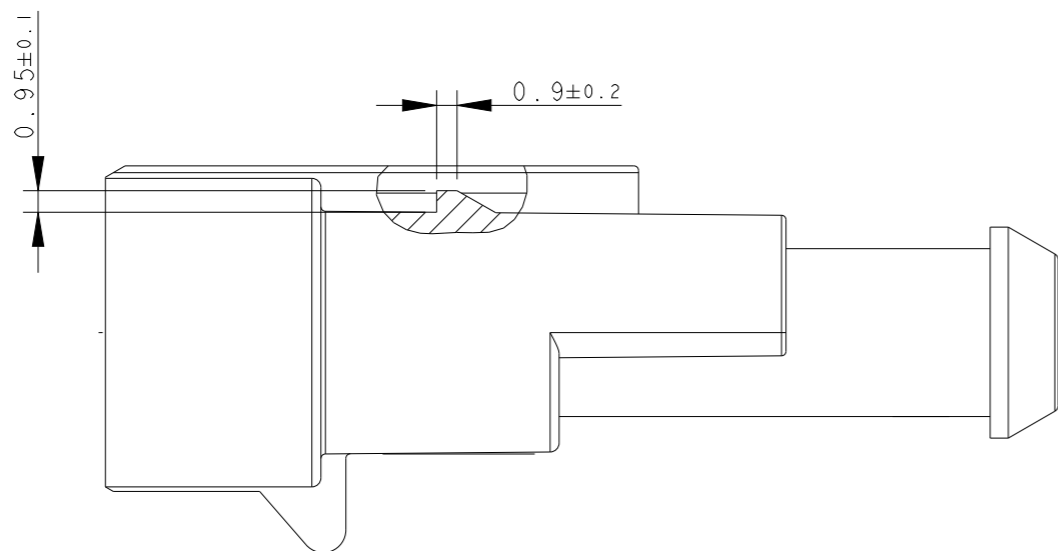
TE CONNECTIVITY TRADE MARK,
(IN ALTERNATIVE: "AMP" LOGO, OR "Tyco Electronics" LOGO)

1470-19 (3/13)

REVISIONS

P	LTR	DESCRIPTION	DATE	DWN	APVD
-	-	SEE SHEET 1	-	-	-

REFER SHEET 1 FOR MISSING DIMENSIONS



4-282105-1 AS SHOWN

THIS DRAWING IS A CONTROLLED DOCUMENT.

DWN C. BERTINI 02-1990

CHK A. BRUNI 02-1990

APVD -

PRODUCT SPEC 108-20090

APPLICATION SPEC 412-20000

WEIGHT 5.14g

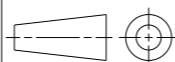
NAME AMP SUPERSEAL 1.5 SRS. CONNECTORS 3 POSITIONS TAB ASS'Y

SIZE CAGE CODE DRAWING NO RESTRICTED TO

A300779 C-282105

CUSTOMER DRAWING SCALE 3:1 SHEET 2 OF 2 REV B5

DIMENSIONS: mm



TOLERANCES UNLESS OTHERWISE SPECIFIED:

0 PLC	±-
1 PLC	± 0.3
2 PLC	±-
3 PLC	±-
4 PLC	±-
ANGLES	± 2°

MATERIAL - SEE TABLE

FINISH - SEE TABLE

X-ON Electronics

Largest Supplier of Electrical and Electronic Components

Click to view similar products for [Automotive Connectors](#) category:

Click to view products by [TE Connectivity](#) manufacturer:

Other Similar products are found below :

[003-018-000](#) [60403001](#) [60993906-B](#) [M902-2131](#) [M902-2161](#) [M902-2344](#) [72.330.1035.1](#) [73.353.4028.0](#) [F119300-B](#) [F166900](#) [F258300-B](#)
[F358300-B](#) [F407400](#) [F444110](#) [F487000](#) [F509500B-B](#) [827153-1](#) [8N1515-32-24P](#) [9-1326729-8](#) [925474-1](#) [928905-1](#) [964562-4](#) [968782-1](#)
[GT17SA-8DS-HU](#) [98891-1012](#) [98947-1016](#) [12004147](#) [12004475-L](#) [12010290](#) [12015454](#) [12020219-B](#) [12041318-B](#) [12052225-L](#) [12052466](#)
[12064869](#) [12004327-B](#) [12015308](#) [12015384](#) [12015909](#) [1-21030-1](#) [12041254](#) [12041318](#) [12047946-B](#) [12047957](#) [12047957-L](#) [12059473](#)
[12066261](#) [12110546](#) [12110546-B](#) [12131792](#)