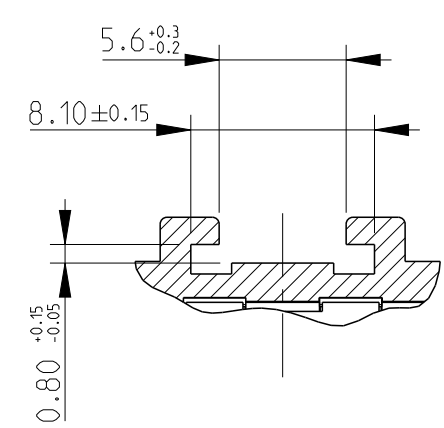
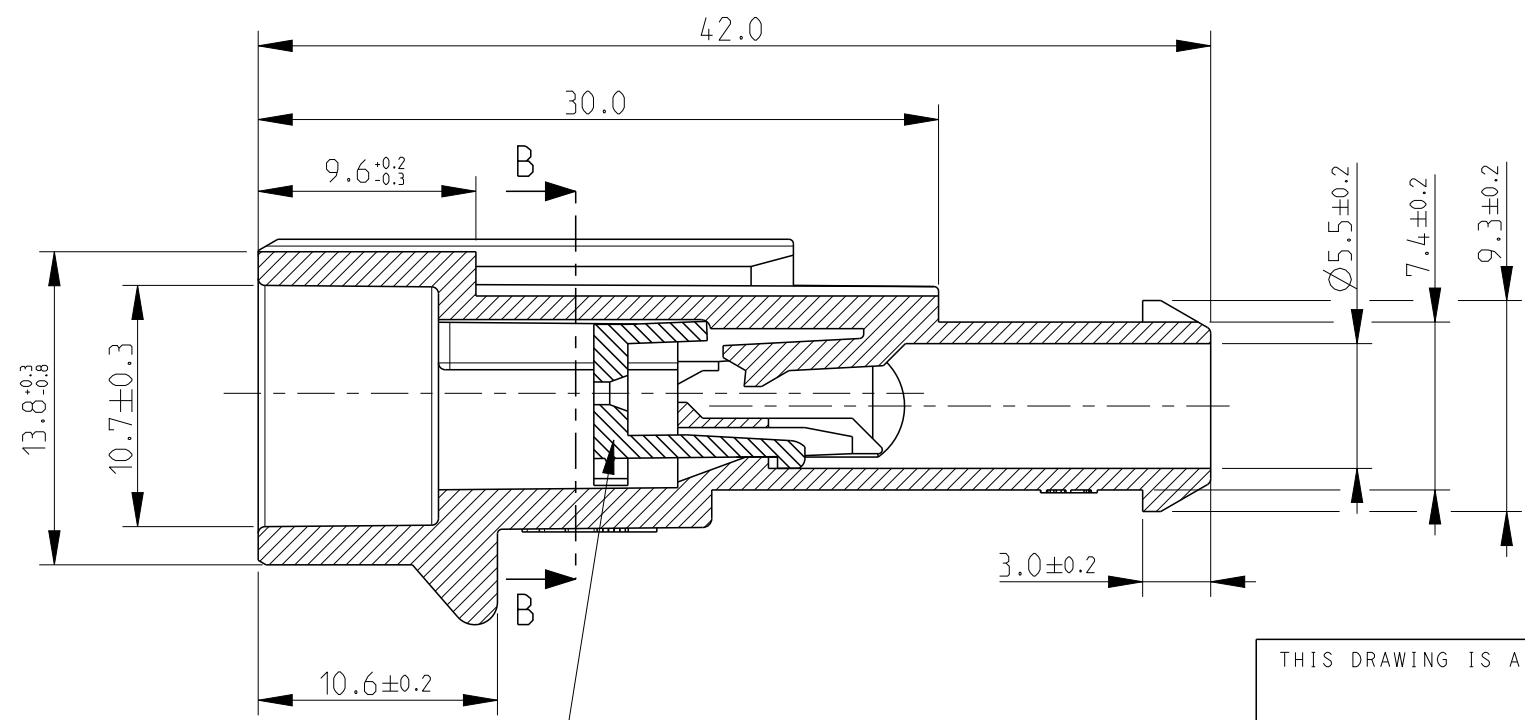
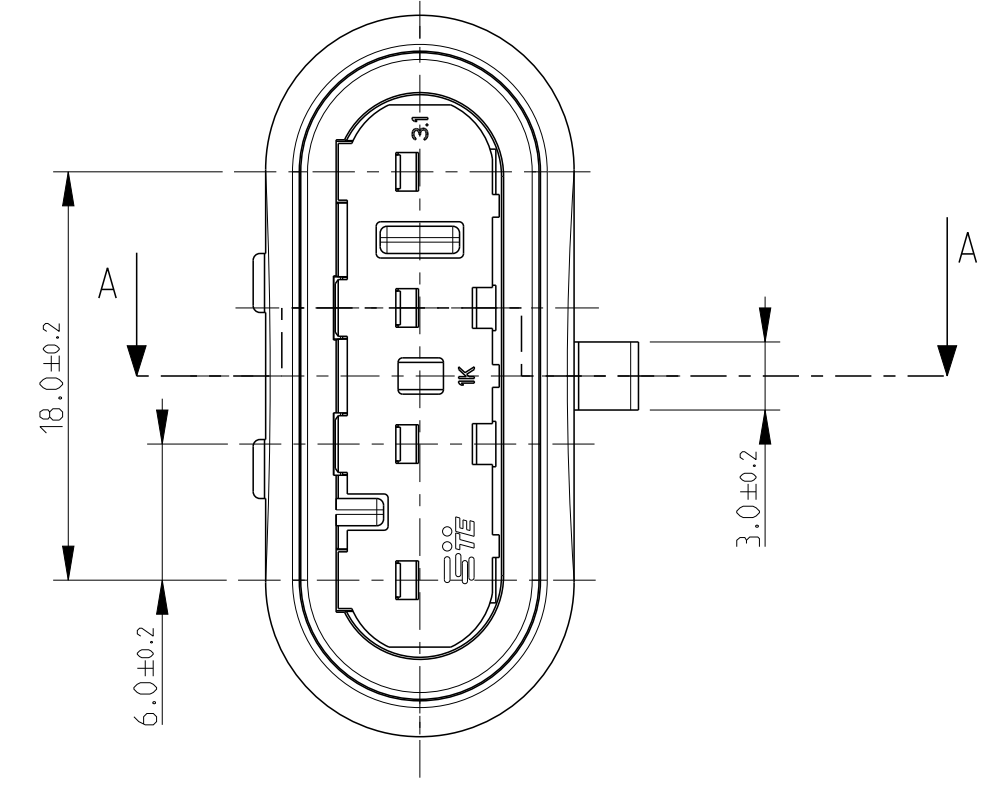
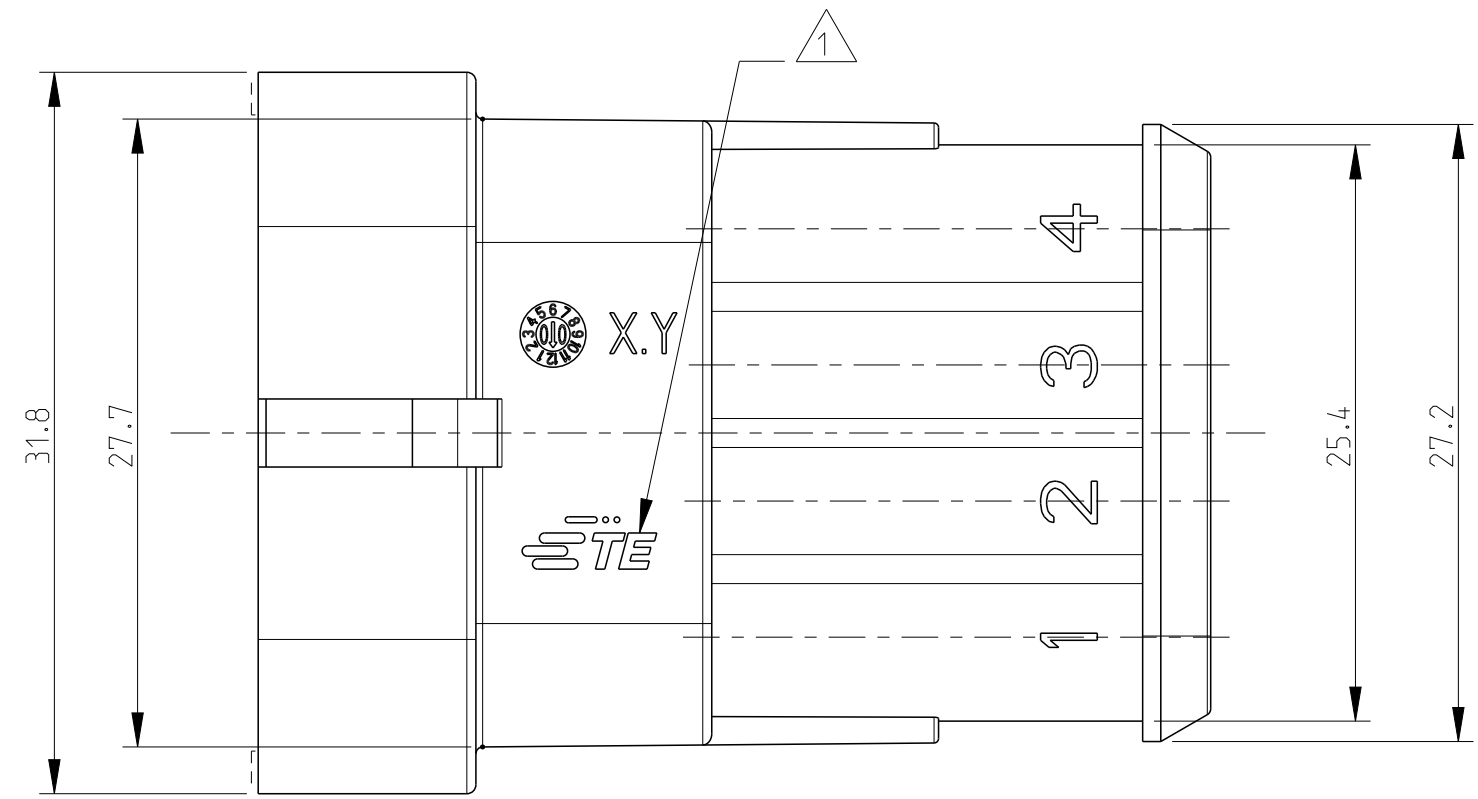


THIS DRAWING IS UNPUBLISHED. RELEASED FOR PUBLICATION 20  
 © COPYRIGHT 20 BY - ALL RIGHTS RESERVED.

REVISIONS					
P	LTR	DESCRIPTION	DATE	DWN	APVD
B3		REVISED (ECO-17-009774)	06SEP2017	M.G.	M.G.
B4		REVISED PER ECO-20-002019	12FEB2020	AP	VN



PART. SECTION B-B

BROWN	PA66-GF	B	4-282106-1
GRAY	PA66-GF	B	282106-2
BLACK	PA66-GF	B	282106-1
FINISH/COLOR	MATERIAL	REV	PART NUMBER

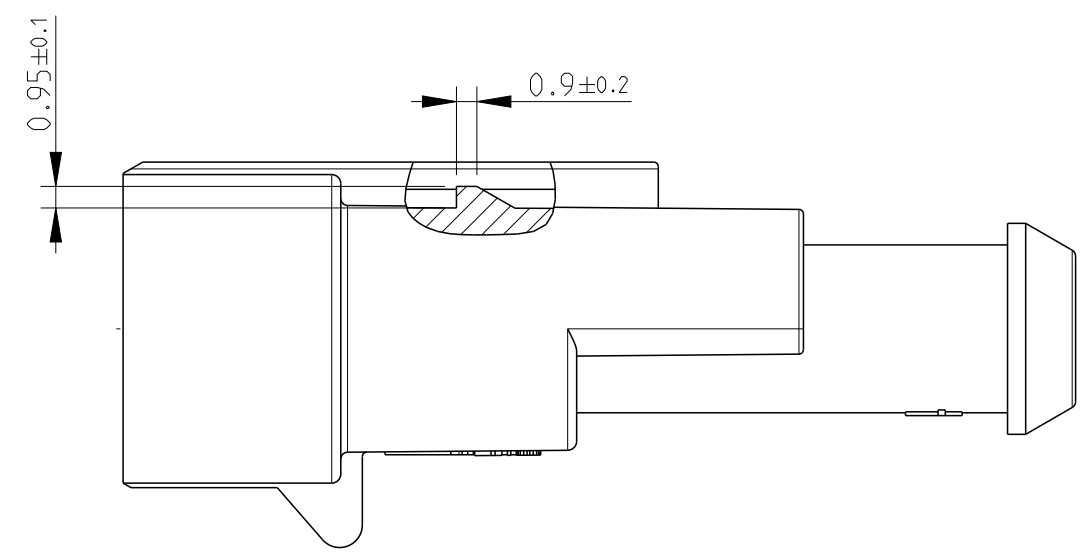
PRE-ASSEMBLED SECONDARY LOCK (RED COLOR)

1 TE CONNECTIVITY TRADE MARK, (IN ALTERNATIVE: "AMP" LOGO, OR "Tyco Electronics" LOGO)  
 2 PRELIMINARY

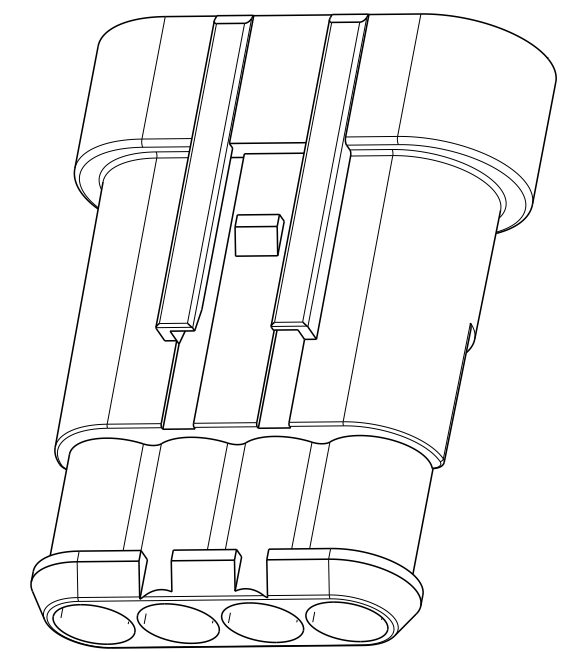
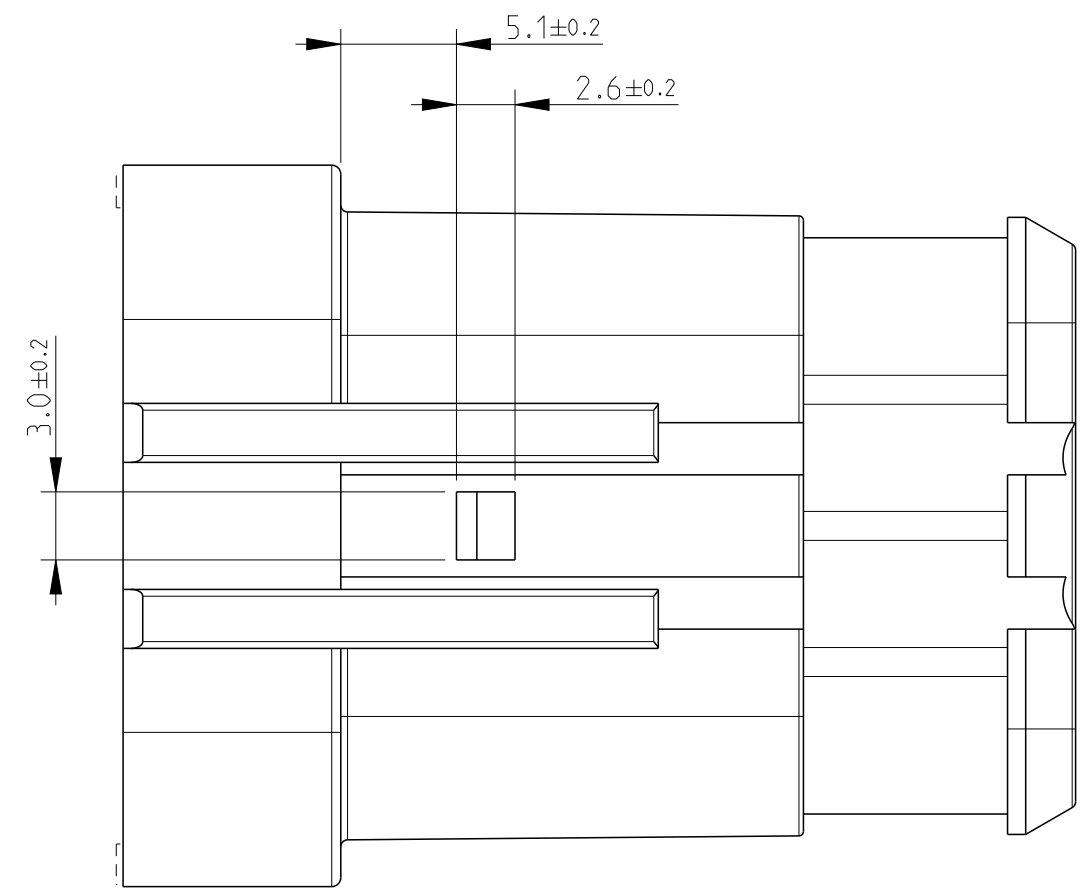
THIS DRAWING IS A CONTROLLED DOCUMENT.		DWN 02 - 1990	TE Connectivity	
DIMENSIONS: mm		CHK 02 - 1990		
TOLERANCES UNLESS OTHERWISE SPECIFIED:		APVD -	NAME	
0 PLC ±	± 0.3	PRODUCT SPEC	AMP SUPERSEAL 1,5 SERIES CONNECTORS	
1 PLC ±	± 0.3	108-20090	4 POSITIONS TAB ASS'Y	
2 PLC ±	± 0.3	APPLICATION SPEC	-	
3 PLC ±	± 0.3	412-20000	SIZE	CAGE CODE
4 PLC ±	± 0.3	WEIGHT	A3	-
ANGLES ± 2°		CUSTOMER DRAWING	DRAWING NO	RESTRICTED TO
MATERIAL	FINISH	6.14g	©=282106	
SEE TABLE	SEE TABLE	SCALE 3:1	SHEET 1 OF 2	REV B4

THIS DRAWING IS UNPUBLISHED. RELEASED FOR PUBLICATION 20  
 © COPYRIGHT 20 BY - ALL RIGHTS RESERVED.

REVISIONS					
P	LTR	DESCRIPTION	DATE	DWN	APVD
-	-	SEE SHEET 1	-	-	-


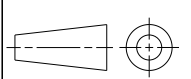


REFER SHEET 1 FOR MISSING DIMENSIONS



**PRELIMINARY**

4-282106-1 AS SHOWN

THIS DRAWING IS A CONTROLLED DOCUMENT.		DWN C.BERTINI 02 - 1990	 TE Connectivity		
DIMENSIONS: mm		CHK A.BRUNI 02 - 1990			
		APVD -	NAME AMP SUPERSEAL 1,5 SERIES CONNECTORS 4 POSITIONS TAB ASS'Y		
TOLERANCES UNLESS OTHERWISE SPECIFIED:		PRODUCT SPEC 108-20090	APPLICATION SPEC		
0 PLC ±-	± 0.3	APPLICATION SPEC 412-20000	SIZE A3	CAGE CODE -	DRAWING NO C=282106
1 PLC ±-	± 0.3	WEIGHT 6.14g	RESTRICTED TO		
2 PLC ±-	± 0.3	CUSTOMER DRAWING	SCALE 3:1	SHEET 2 OF 2	REV B4
3 PLC ±-	± 0.3				
4 PLC ±-	± 0.3				
ANGLES ± 2°	± 2°				
MATERIAL - SEE TABLE	FINISH - SEE TABLE				

## X-ON Electronics

Largest Supplier of Electrical and Electronic Components

*Click to view similar products for [Automotive Connectors](#) category:*

*Click to view products by [TE Connectivity](#) manufacturer:*

Other Similar products are found below :

[003-018-000](#) [60403001](#) [60993906-B](#) [M902-2131](#) [M902-2161](#) [72.330.1035.1](#) [73.353.4028.0](#) [F119300-B](#) [F166900](#) [F258300-B](#) [F358300-B](#)  
[F407400](#) [F444110](#) [F487000](#) [F509500B-B](#) [827153-1](#) [8N1515-32-24P](#) [9-1326729-8](#) [925474-1](#) [928905-1](#) [964562-4](#) [968782-1](#) [GT17SA-8DS-](#)  
[HU](#) [98891-1012](#) [98947-1016](#) [12004147](#) [12004475-L](#) [12010290](#) [12010309-B](#) [12015454](#) [12020219-B](#) [12020308](#) [12041318-B](#) [12052225-L](#)  
[12052466](#) [12059125](#) [12064869](#) [12004327-B](#) [12010503-B](#) [12015308](#) [12015384](#) [12015909](#) [1-21030-1](#) [12041254](#) [12041318](#) [12047946-B](#)  
[12047957](#) [12047957-L](#) [12059473](#) [12066261](#)