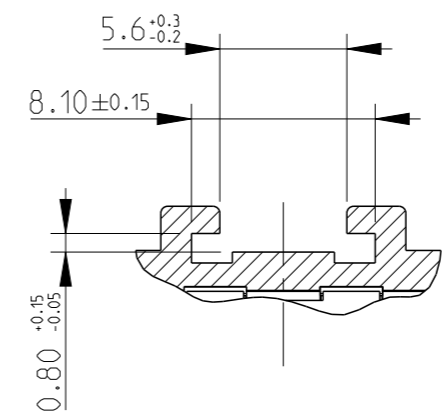
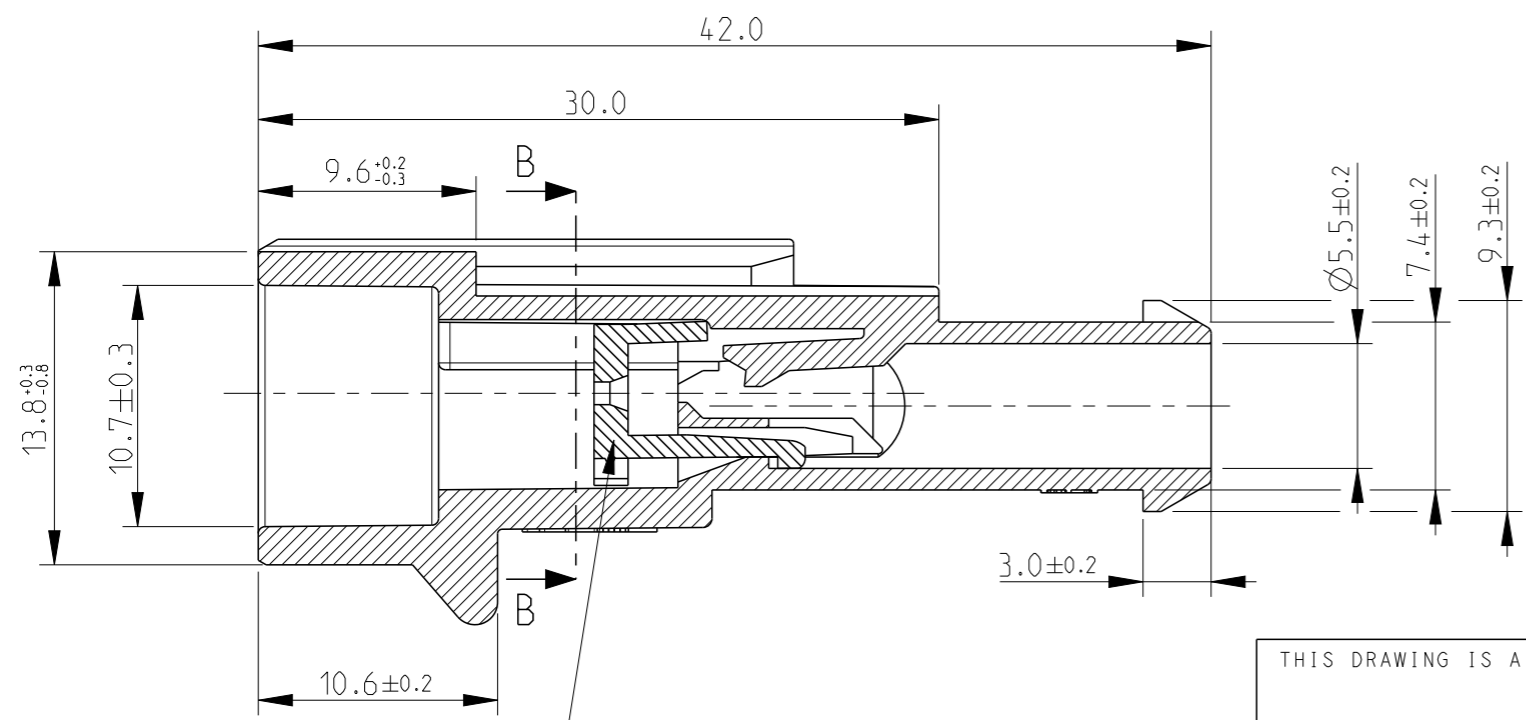
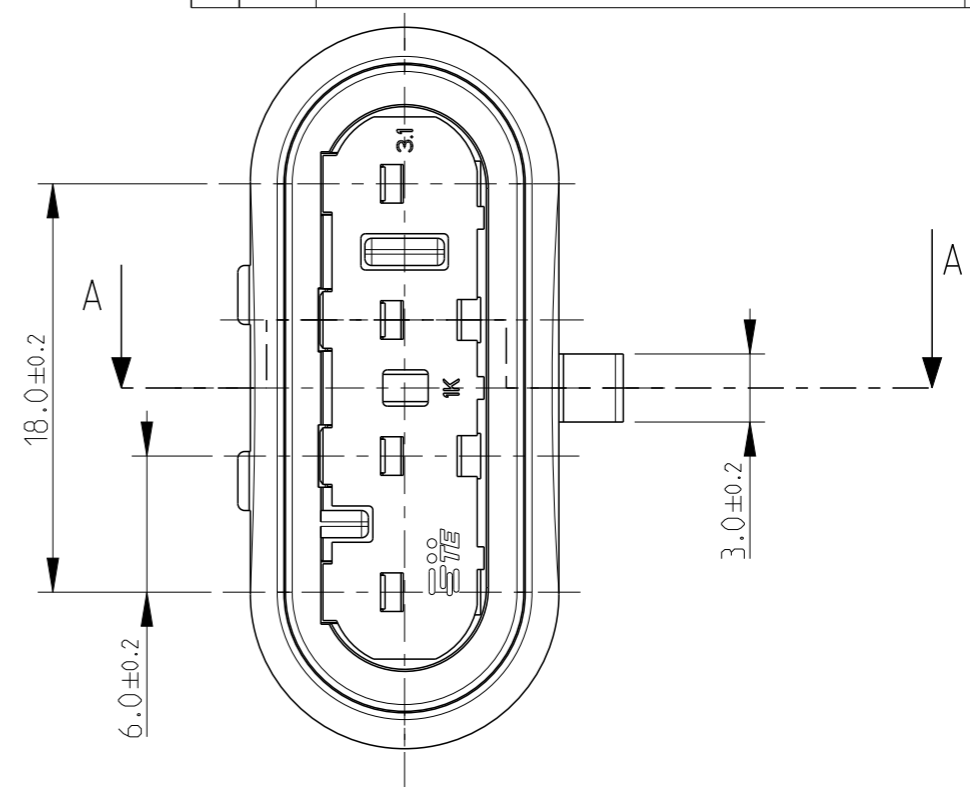
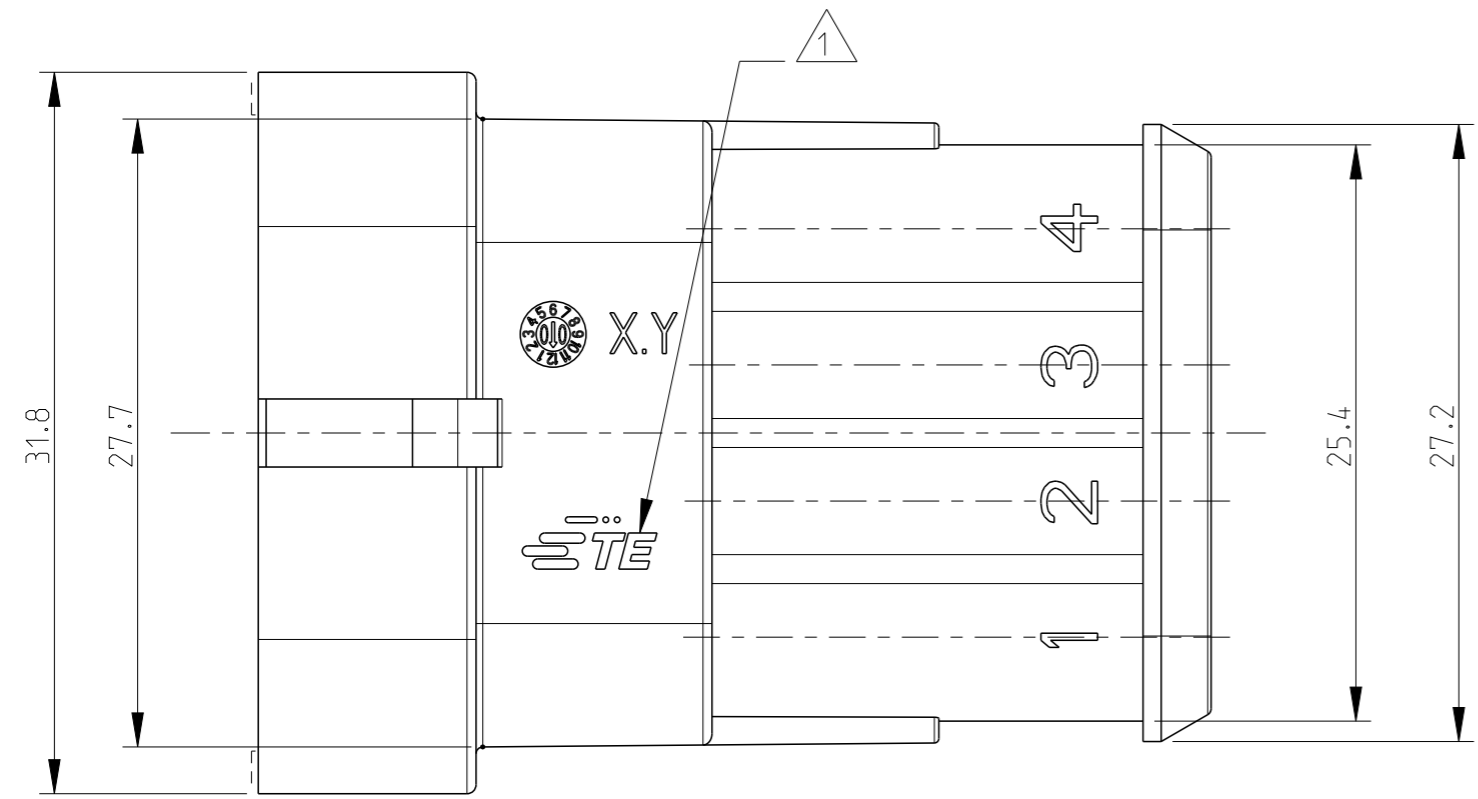


THIS DRAWING IS UNPUBLISHED. RELEASED FOR PUBLICATION 20
 © COPYRIGHT 20 BY - ALL RIGHTS RESERVED.

REVISIONS					
P	LTR	DESCRIPTION	DATE	DWN	APVD
B3		REVISED (ECO-17-009774)	06SEP2017	M.G.	M.G.
B4		REVISED PER ECO-20-002019	12FEB2020	AP	VN



PART. SECTION B-B

BROWN	PA66-GF	B	4-282106-1
GRAY	PA66-GF	B	282106-2
BLACK	PA66-GF	B	282106-1
FINISH/COLOR	MATERIAL	REV	PART NUMBER

PRE-ASSEMBLED SECONDARY LOCK (RED COLOR)

1 TE CONNECTIVITY TRADE MARK, (IN ALTERNATIVE: "AMP" LOGO, OR "Tyco Electronics" LOGO)
 2 PRELIMINARY

THIS DRAWING IS A CONTROLLED DOCUMENT.		DWN 02 - 1990	TE Connectivity	
		CHK 02 - 1990		
DIMENSIONS: mm		APVD -	NAME	
TOLERANCES UNLESS OTHERWISE SPECIFIED:		PRODUCT SPEC 108-20090	AMP SUPERSEAL 1,5 SERIES CONNECTORS 4 POSITIONS TAB ASS'Y	
0 PLC ±	1 PLC ±0.3	APPLICATION SPEC 412-20000	SIZE A3	CAGE CODE -
2 PLC ±	3 PLC ±	WEIGHT 6.14g	DRAWING NO C-282106	RESTRICTED TO
4 PLC ±	ANGLES ±2°	CUSTOMER DRAWING	SCALE 3:1	SHEET 1 OF 2
MATERIAL -	FINISH -			REV B4
SEE TABLE	SEE TABLE			

4

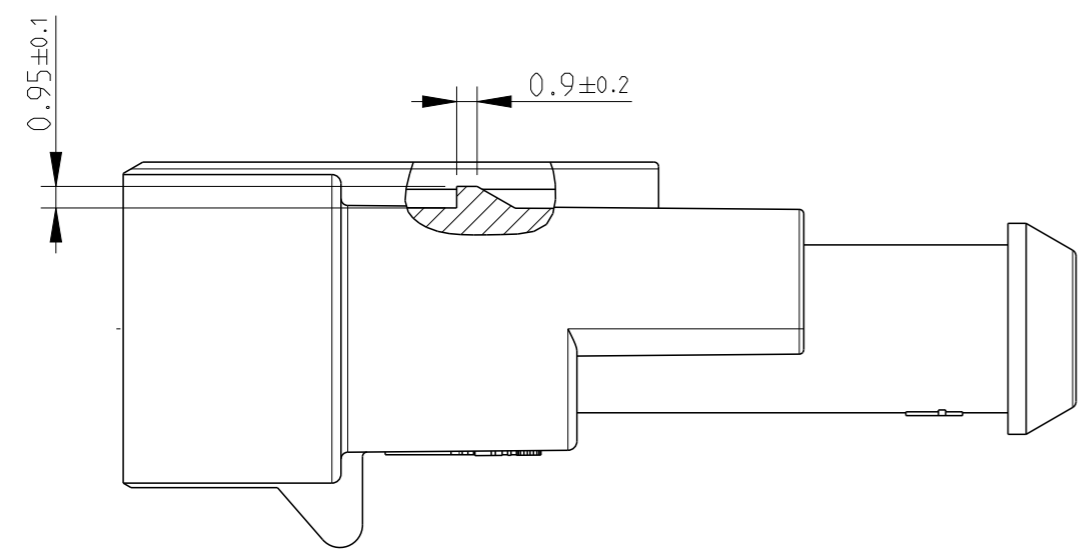
3

2

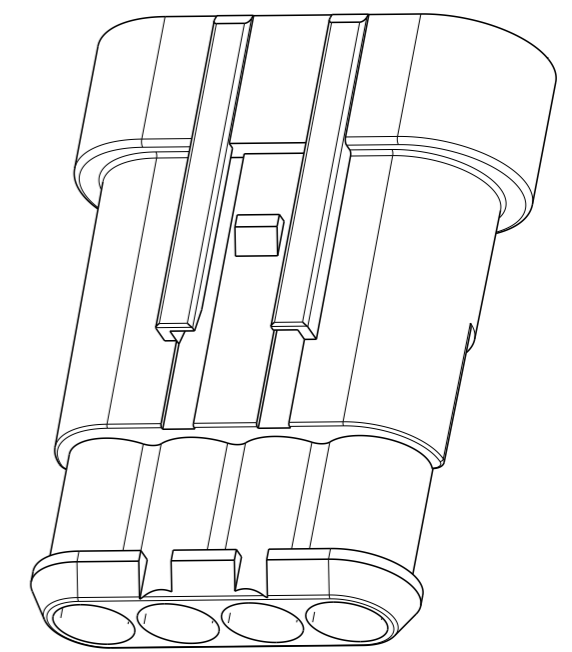
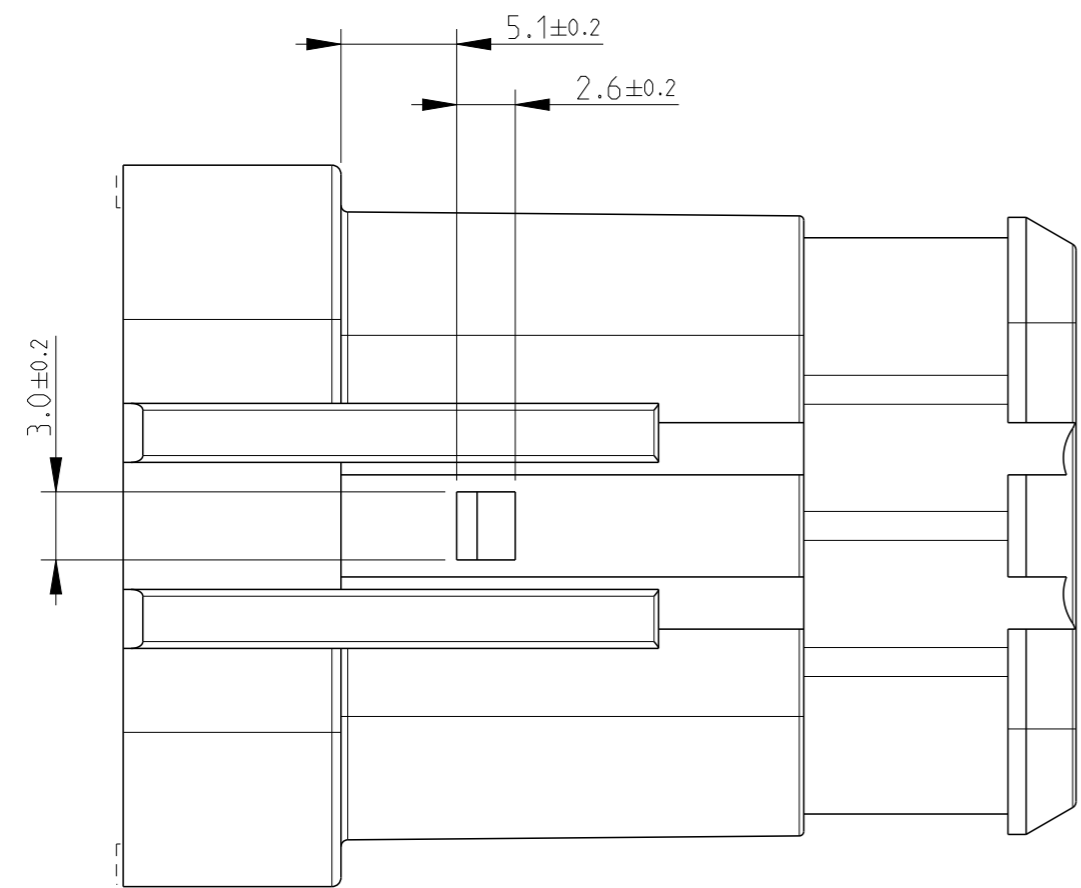
1

THIS DRAWING IS UNPUBLISHED. RELEASED FOR PUBLICATION 20
 © COPYRIGHT 20 BY - ALL RIGHTS RESERVED.

REVISIONS					
P	LTR	DESCRIPTION	DATE	DWN	APVD
-	-	SEE SHEET 1	-	-	-


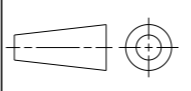


REFER SHEET 1 FOR MISSING DIMENSIONS



PRELIMINARY

4-282106-1 AS SHOWN

THIS DRAWING IS A CONTROLLED DOCUMENT.		DWN C.BERTINI 02 - 1990	 TE Connectivity		
DIMENSIONS: mm		CHK A.BRUNI 02 - 1990			
		APVD -	NAME AMP SUPERSEAL 1,5 SERIES CONNECTORS 4 POSITIONS TAB ASS'Y		
TOLERANCES UNLESS OTHERWISE SPECIFIED:		PRODUCT SPEC 108-20090	SIZE A3		
0 PLC ±-	1 PLC ±0.3	APPLICATION SPEC 412-20000	CAGE CODE -	DRAWING NO C=282106	RESTRICTED TO
2 PLC ±-	3 PLC ±-	WEIGHT 6.14g	SCALE 3:1		
4 PLC ±-	ANGLES ±2°	CUSTOMER DRAWING	SHEET 2 OF 2		
MATERIAL - SEE TABLE	FINISH - SEE TABLE	REV B4			

X-ON Electronics

Largest Supplier of Electrical and Electronic Components

Click to view similar products for [Automotive Connectors](#) category:

Click to view products by [TE Connectivity](#) manufacturer:

Other Similar products are found below :

[003-018-000](#) [600858](#) [60403001](#) [60993906-B](#) [60993913-B](#) [629515004020001](#) [M83723/71R1808N L/C](#) [M902-2131](#) [M902-2161](#) [M902-2344](#)
[72.330.1035.1](#) [73.353.4028.0](#) [F118010](#) [F119300-B](#) [F132210](#) [F166900](#) [F180100](#) [F258300](#) [F258300-B](#) [F294300-B](#) [F339100](#) [F339700](#)
[F358300-B](#) [F374110](#) [F407400](#) [F412210](#) [F444110](#) [F487000](#) [F495100](#) [F500900-B](#) [F509500B-B](#) [770444-1](#) [827153-1](#) [881735-1](#)
[8N1515-32-24P](#) [9-1326729-8](#) [925467-1](#) [925474-1](#) [928905-1](#) [936398-2](#) [964562-4](#) [964731-2](#) [968782-1](#) [GT17SA-8DS-HU](#) [GT17VS-10DP-](#)
[5.2CF](#) [98315-0001](#) [98315-0010](#) [98891-1012](#) [98895-2014](#) [98936-1039](#)