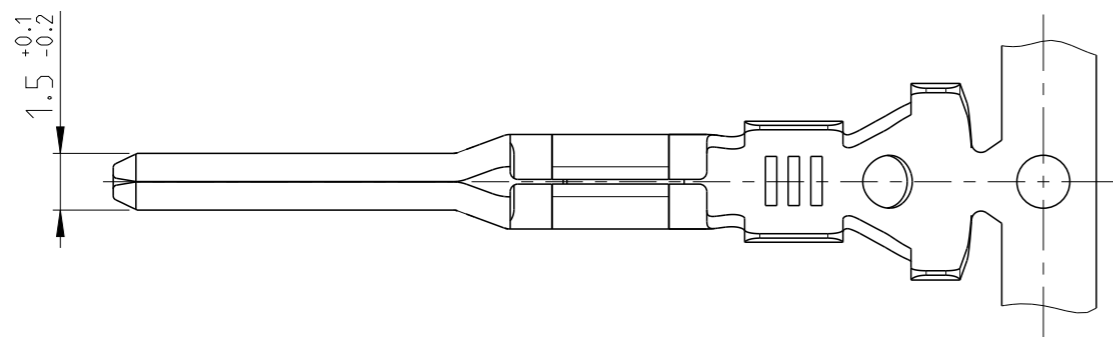
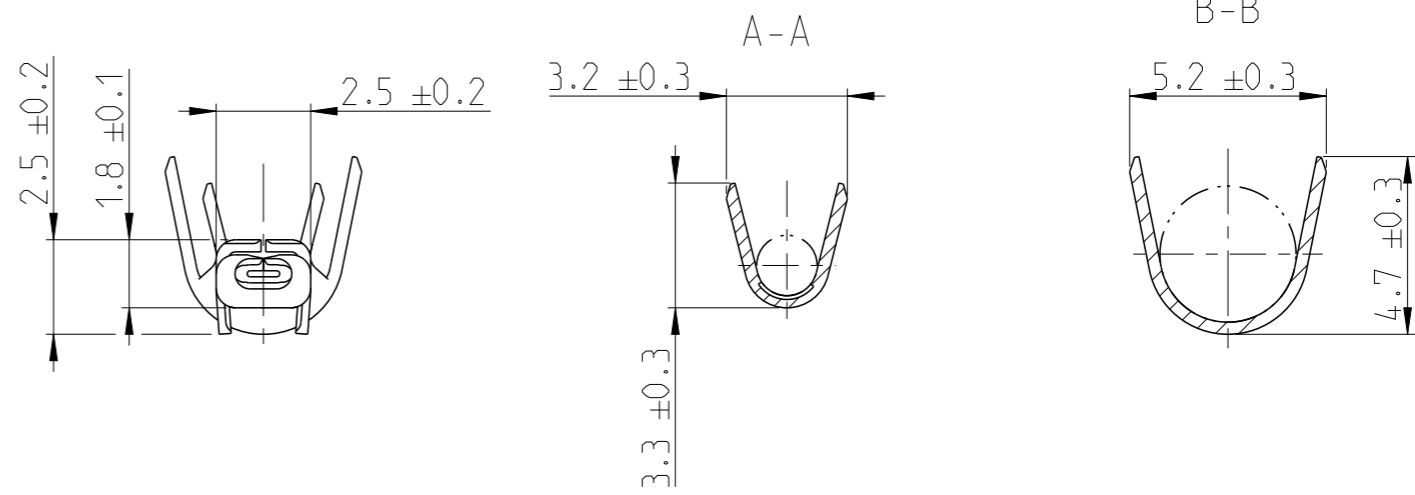
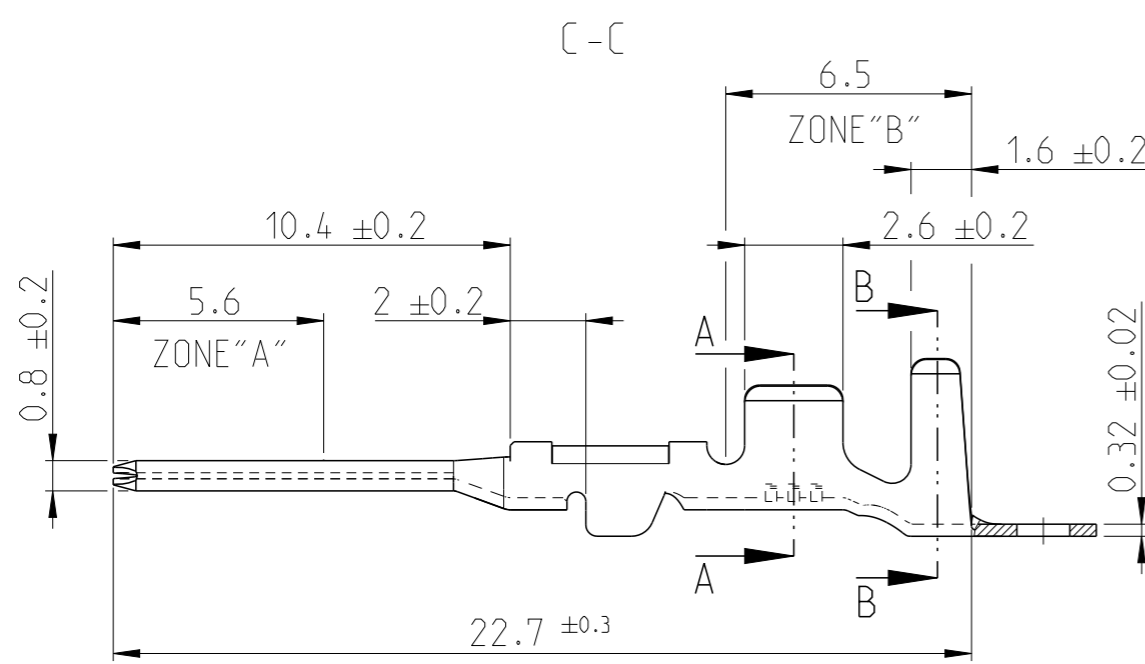
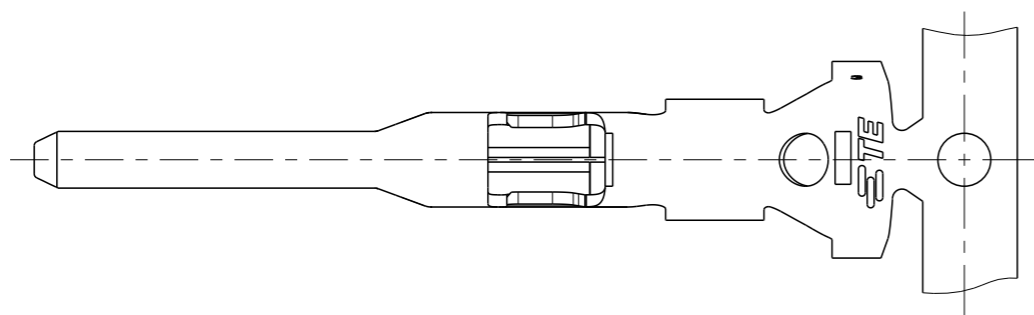


THIS DRAWING IS UNPUBLISHED. RELEASED FOR PUBLICATION 20  
 © COPYRIGHT 20 BY - ALL RIGHTS RESERVED.

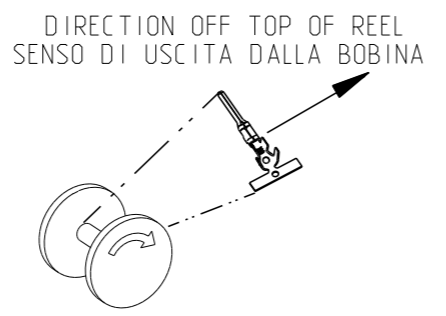
REVISIONS					
P	LTR	DESCRIPTION	DATE	DWN	APVD
	E6	REVISED PER ECO-11-005033	02APR2011	RK	HMR
	E7	REDRAWN TO CREO	14APR2017	GH	JP
	F	REVISED TO MATCH PART 282109-5 REVISION	27SEP2018	SCK	SCK



- 1 FOR TE GERMANY PRODUCTION ONLY:  
GOLD PLTD 0.8µm OVER "ZONE A", TIN PLTD OVER "ZONE B" AND NICKEL UNDERPLATING ALL OVER  
SOLO PER PRODUZIONE TE GERMANY:  
DORTURA 0.8µm NELLA "ZONA A", STAGNATURA NELLA "ZONA B" E NICHELATURA SU TUTTO IL CONTATTO.
- 2 SUITABLE FOR SINGLE WIRE SEAL TE P/N 281934-...  
ADATTO PER GOMMINO TE P/N 281934-...
- 3 ITEM IS SUPPLIED REELED ON CARTON REEL  
WITH STRIP PITCH = 11.9±0.1mm  
STATO DI FORNITURA: AVVOLTI SU BOBINA CON PASSO TRA TERMINALI DI = 11.9±0.1mm

PRE-TIN (PRE STAGNATO)	PHOSPH. BRONZE (BRONZO FOSF.)	282109-5
GOLD PLTD (DORATO) 1	BRASS (OTTONE)	282109-3
PRE-TIN (PRE STAGNATO)	BRASS (OTTONE)	282109-1
FINISH/COLOUR (FINITURA/COLORE)	MATERIAL (MATERIALE)	TE PART NO. (NUMERO)

INS. DIA. RANGE (DIAM. ISOLANTE)	WIRE RANGE (RANGO FILO)
2	∅0.75 - 1.5mm <sup>2</sup>



THIS DRAWING IS A CONTROLLED DOCUMENT.

DIMENSIONS: mm	TOLERANCES UNLESS OTHERWISE SPECIFIED:
	0 PLC ± 1 PLC ± 2 PLC ± ±0.3 3 PLC ± 4 PLC ±
MATERIAL	FINISH ANGLES ±2°

DWN BASSANO	09NOV1990
CHK BERTINI	09NOV1990
APVD A.BRUNI	09NOV1990
PRODUCT SPEC	108-20090
APPLICATION SPEC	114-20045
WEIGHT	-
CUSTOMER DRAWING	

**STE** TE Connectivity

NAME: MINI MIC SRS TAB CONTACT

SIZE	CAGE CODE	DRAWING NO	RESTRICTED TO
A3	00779	C=282109	

SCALE: 5:1 SHEET: 1 OF 1 REV: F

## X-ON Electronics

Largest Supplier of Electrical and Electronic Components

*Click to view similar products for [Automotive Connectors](#) category:*

*Click to view products by [TE Connectivity](#) manufacturer:*

Other Similar products are found below :

[003-018-000](#) [60403001](#) [60993906-B](#) [M902-2131](#) [M902-2161](#) [72.330.1035.1](#) [73.353.4028.0](#) [F119300-B](#) [F166900](#) [F258300-B](#) [F358300-B](#)  
[F407400](#) [F444110](#) [F487000](#) [F509500B-B](#) [827153-1](#) [8N1515-32-24P](#) [9-1326729-8](#) [925474-1](#) [928905-1](#) [964562-4](#) [968782-1](#) [GT17SA-8DS-](#)  
[HU](#) [98891-1012](#) [98947-1016](#) [12004147](#) [12004475-L](#) [12010290](#) [12010309-B](#) [12015454](#) [12020219-B](#) [12020308](#) [12041318-B](#) [12052225-L](#)  
[12052466](#) [12059125](#) [12064869](#) [12004327-B](#) [12010503-B](#) [12015308](#) [12015384](#) [12015909](#) [1-21030-1](#) [12041254](#) [12041318](#) [12047946-B](#)  
[12047957](#) [12047957-L](#) [12059473](#) [12066261](#)