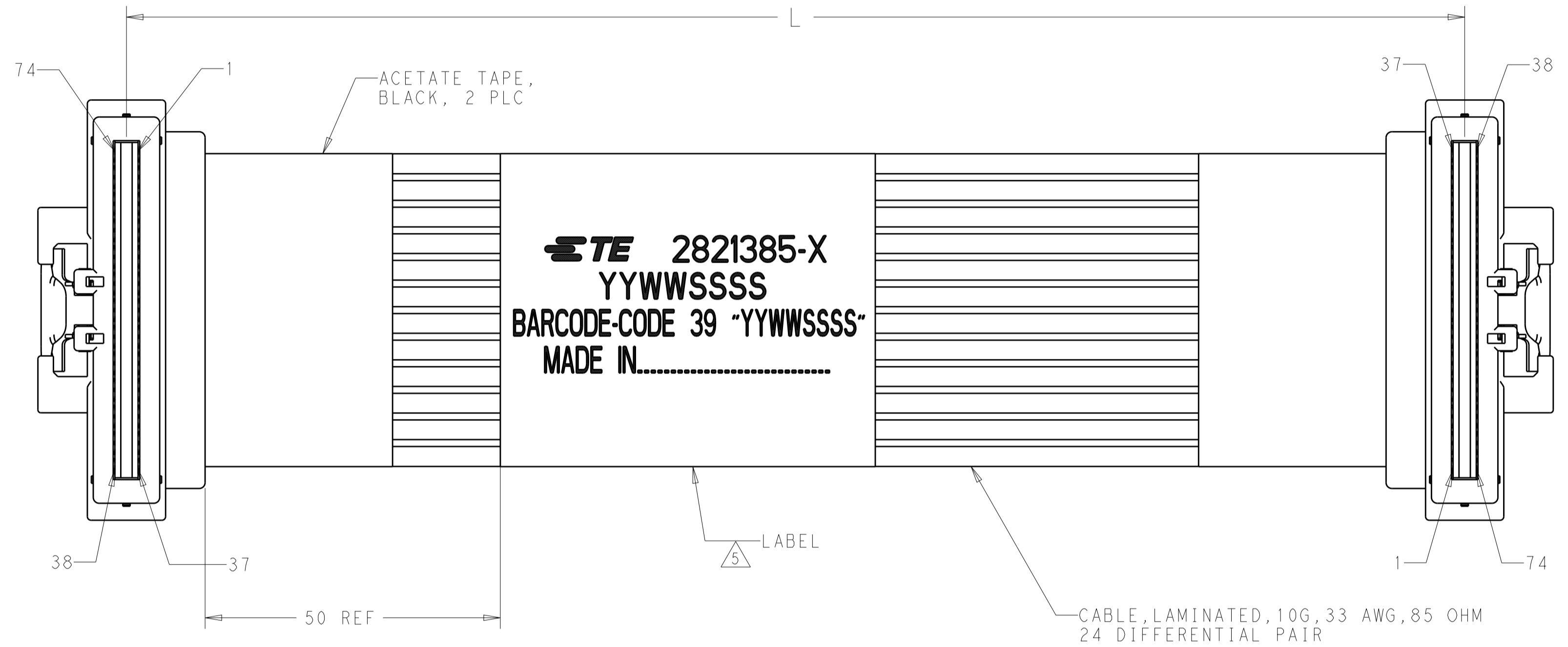
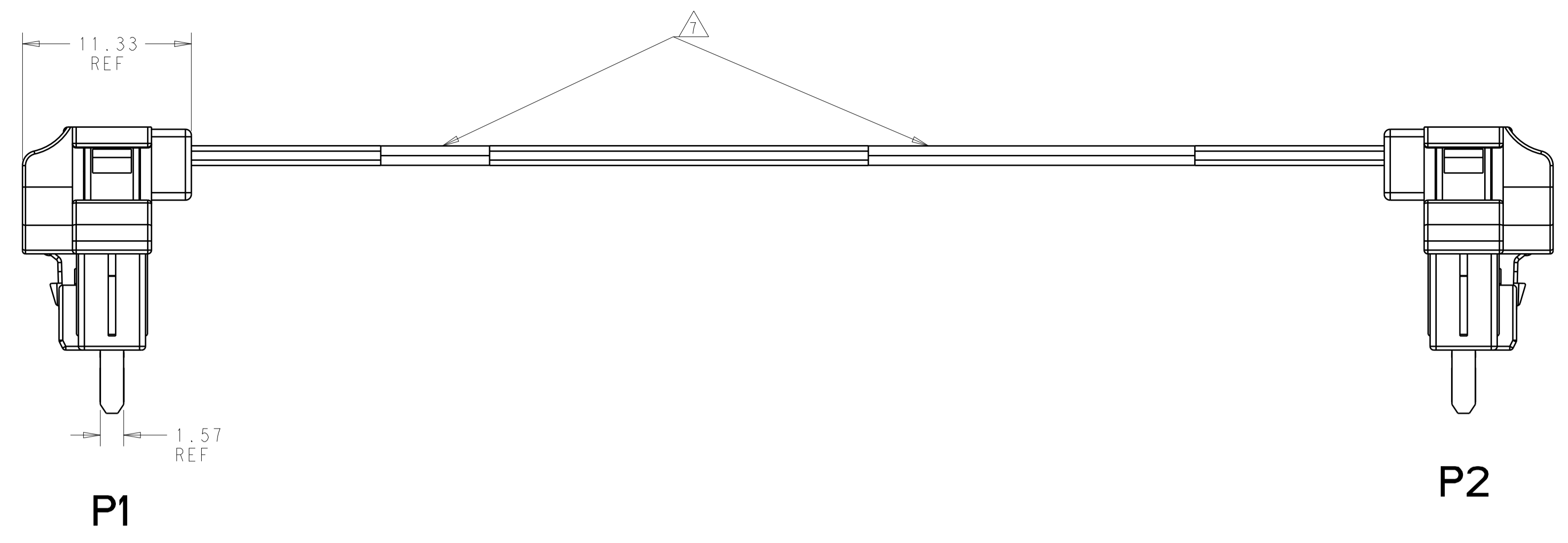
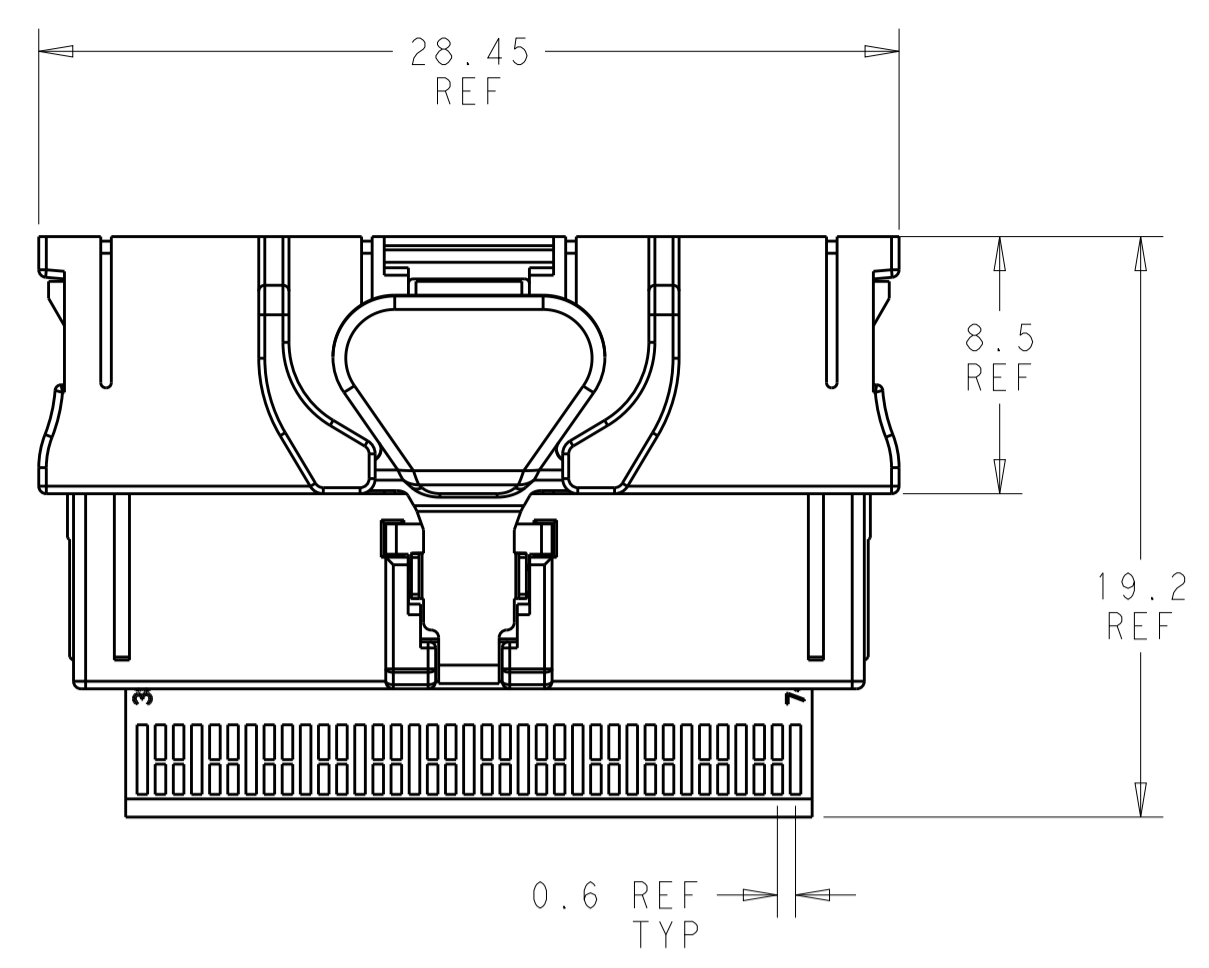
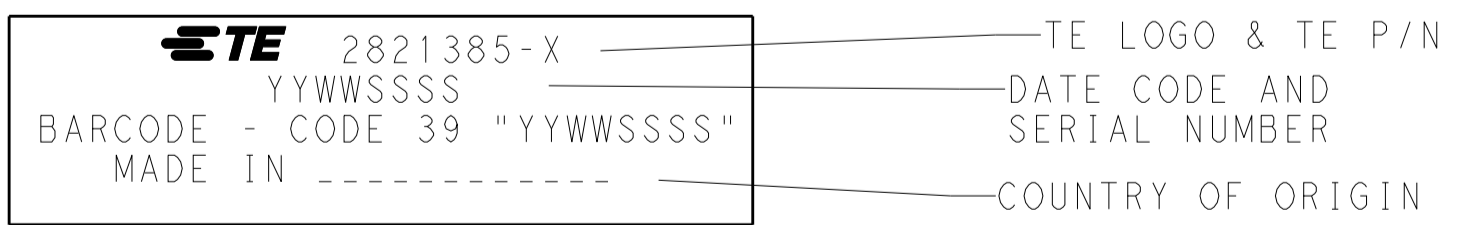


REVISIONS				
P.	LTR.	DESCRIPTION	DATE	DWN. APVD.
A		INITIAL RELEASE ECO-18-006327	23APR2018	JR GG



- CABLE ASSEMBLY TO BE TESTED FOR OPENS, SHORTS AND WIRING MAPPING. CABLES ARE ALSO TO BE TESTED FOR SIGNAL INTEGRITY. 10% OF PRODUCT TO BE TESTED FOR SIGNAL INTEGRITY.
- ALL MATERIALS, COMPONENTS AND PROCESS SHALL COMPLY WITH TEC-138-702.(CONTAINS NO BANNED OR RESTRICTED SUBSTANCES).
- SEE SHEET 2 FOR WIRING SCHEMATIC.
- MINIMUM BEND RADIUS OF THE CABLE = R3.0mm IN THE CABLE THICKNESS AXIS ONLY. MIN BEND RADIUS DOES NOT APPLY TO CABLE BENT IN THE WIDTH AXIS.

△ LABEL INFORMATION:



- CABLE ASSEMBLIES ARE INDIVIDUALLY PACKAGED IN A CLEAR PLASTIC TUBE, SEALED ON BOTH ENDS.
- △ CABLE TO HAVE UP TO A 20MM DIFFERENCE IN BUNDLE OR SECTION HEIGHT, MEASURED FROM A TABLE OR OTHER FLAT SURFACE TO OUTERMOST SECTION OF RAW CABLE. THIS DIMENSION APPLIES BETWEEN LABEL AND NEXT CLOSEST SECTION OF TAPE OR CONNECTOR. CABLE ASSEMBLY IS STILL TO CONFORM TO LENGTH DIMENSION AND TOLERANCE.
- NO REACH SvHC SHALL BE CONTAINED ABOVE THE THRESHOLD AS DEFINED IN REACH SvHC COMPLIANCE DEFINITION IN ANNEX A OF TEC-138-702.

1000±20	2821385-2
500±10	2821385-1
L	PART NO

THIS DRAWING IS A CONTROLLED DOCUMENT.

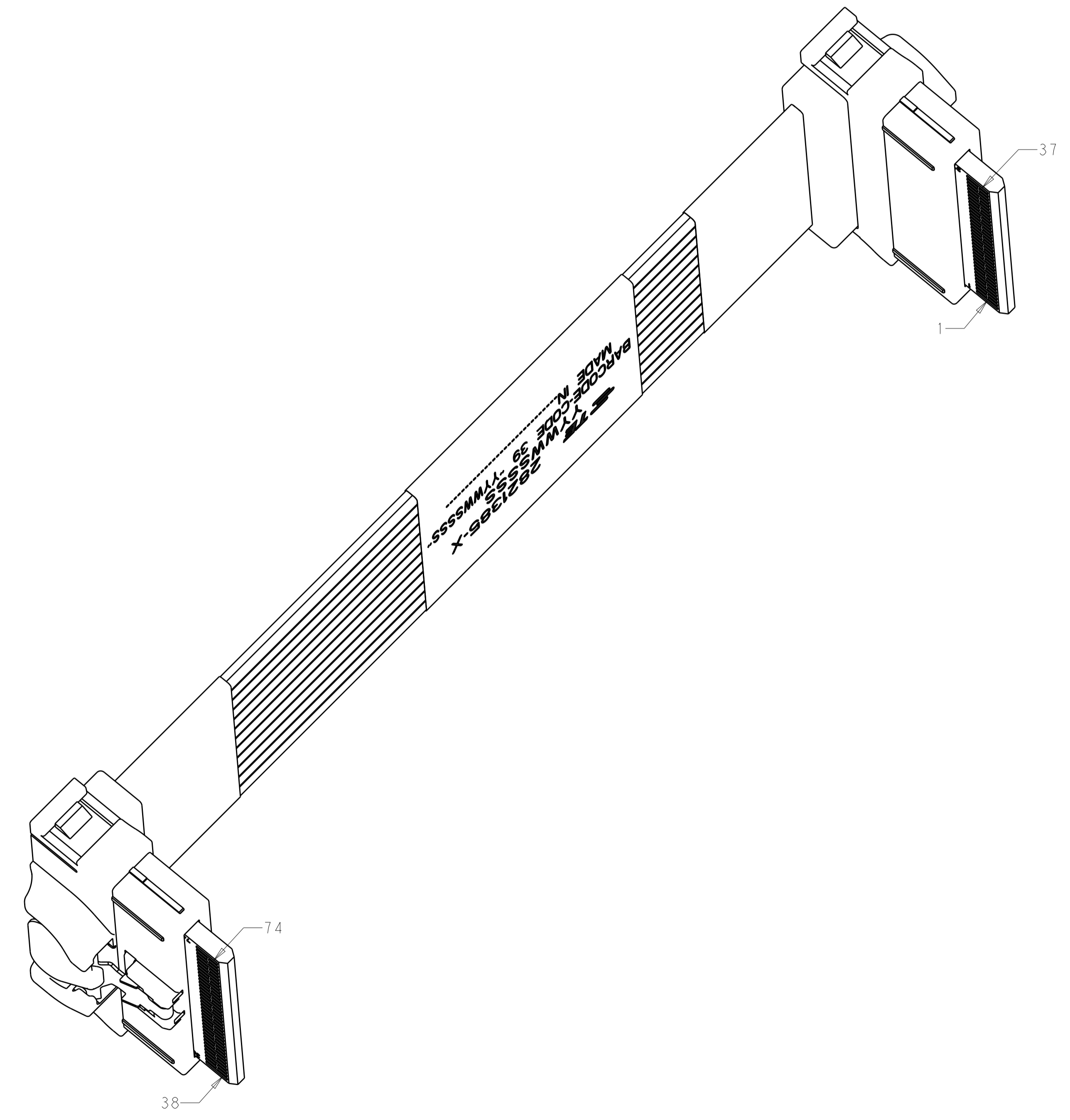
DIMENSIONS:	TOLERANCES UNLESS OTHERWISE SPECIFIED:	DWN. T. SMITH 04APR2016	CHK. G. GUTGOLD 04APR2016	APVD. G. GUTGOLD APR2016
mm	0 PLC ±	NAME: CABLE ASSEMBLY, SLIVER RIGHT ANGLE, 74 POSITION		
∅	1 PLC ±	SIZE: A1		
	2 PLC ±	CAGE CODE: -		
	3 PLC ±	DRAWING NO: C=2821385		
	4 PLC ±	SHEET 1 OF 2		
	ANGLES ±	REV A		
MATERIAL:	FINISH:	WEIGHT:	CUSTOMER DRAWING	
-	-	-	SCALE: 4:1	

REVISIONS				
P.	LTN	DESCRIPTION	DATE	APVD
-	-	SEE SHEET 1	-	-

	P1		P2
	1	GND	37
PAIR 1	2	↔	36
	3	↔	35
	4	GND	34
PAIR 2	5	↔	33
	6	↔	32
	7	GND	31
PAIR 3	8	↔	30
	9	↔	29
	10	GND	28
PAIR 4	11	↔	27
	12	↔	26
	13	GND	25
PAIR 5	14	↔	24
	15	↔	23
	16	GND	22
PAIR 6	17	↔	21
	18	↔	20
	19	GND	19
PAIR 7	20	↔	18
	21	↔	17
	22	GND	16
PAIR 8	23	↔	15
	24	↔	14
	25	GND	13
PAIR 9	26	↔	12
	27	↔	11
	28	GND	10
PAIR 10	29	↔	9
	30	↔	8
	31	GND	7
PAIR 11	32	↔	6
	33	↔	5
	34	GND	4
PAIR 12	35	↔	3
	36	↔	2
	37	GND	1

	P1		P2
	38	GND	74
PAIR 13	39	↔	73
	40	↔	72
	41	GND	71
PAIR 14	42	↔	70
	43	↔	69
	44	GND	68
PAIR 15	45	↔	67
	46	↔	66
	47	GND	65
PAIR 16	48	↔	64
	49	↔	63
	50	GND	62
PAIR 17	51	↔	61
	52	↔	60
	53	GND	59
PAIR 18	54	↔	58
	55	↔	57
	56	GND	56
PAIR 19	57	↔	55
	58	↔	54
	59	GND	53
PAIR 20	60	↔	52
	61	↔	51
	62	GND	50
PAIR 21	63	↔	49
	64	↔	48
	65	GND	47
PAIR 22	66	↔	46
	67	↔	45
	68	GND	44
PAIR 23	69	↔	43
	70	↔	42
	71	GND	41
PAIR 24	72	↔	40
	73	↔	39
	74	GND	38

WIRING MAPPING



THIS DRAWING IS A CONTROLLED DOCUMENT.		OWN: T. SMITH 04APR2016	TE Connectivity
DIMENSIONS: mm		CHK: G. GUTGOLD 04APR2016	
TOLERANCES UNLESS OTHERWISE SPECIFIED:		APVD: G. GUTGOLD APR2016	NAME: CABLE ASSEMBLY, SLIVER RIGHT ANGLE, 74 POSITION
0 PLC ± 1 PLC ± 2 PLC ± 3 PLC ± 4 PLC ± ANGLES ±		PRODUCT SPEC	SIZE: A1
MATERIAL: -		APPLICATION SPEC	CAGE CODE: -
FINISH: -		WEIGHT: -	DRAWING NO: C=2821385
		CUSTOMER DRAWING	RESTRICTED TO: -
		SCALE: 4:1	SHEET: 2 OF 2
			REV: A

X-ON Electronics

Largest Supplier of Electrical and Electronic Components

Click to view similar products for [Ribbon Cables / IDC Cables](#) category:

Click to view products by [TE Connectivity](#) manufacturer:

Other Similar products are found below :

[FSK-12A](#) [AWG28-10G](#) [EHJ3C](#) [EHJ4C](#) [cab-LVDV-PWR-10-15](#) [FSP-25A](#) [3365/15 \(100FT\)](#) [cab-LVDV-DAT-34-15](#) [49635-C62-S2](#) [1-3636-600-5204](#) [92315-1408](#) [426171120-3](#) [3625/08 \(100M\)](#) [0044704](#) [2-1589735-3](#) [JSM015PP2DCC23N](#) [92301-0283](#) [ACL-eSSI-2](#) [92301-0718](#) [MMSDT-06-20-S-05.5-D-K-LDX](#) [IDD-04-G](#) [NM-2J2-051-PS1-JJAB](#) [1700/14SF \(100FT\)](#) [1700/26SF \(100FT\)](#) [1700/34SF \(100FT\)](#) [3801/09 \(100FT\)](#) [DS1057-06A282R-30.5](#) [DS1057-12A282R-30.5](#) [DS1057-14A282R-76.5](#) [DS1057-20A282R-76.5](#) [DS1057-24A282R-76.5](#) [DS1057-26A282R-76.5](#) [DS1057-30A282R-76.5](#) [DS1057-34A282R-76.5](#) [DS1057-40A282R-76.5](#) [DS1057-60A282R-76.5](#) [DS1057-64A282R-76.5](#) [DS1058-08M28-30.5](#) [DS1058-30M28-30.5](#) [3750/10 \(100FT\)](#) [0015712](#) [0015905](#) [S30109](#) [11203](#) [11223](#) [11243](#) [11262](#) [0037147](#) [0022512](#) [0022412](#)