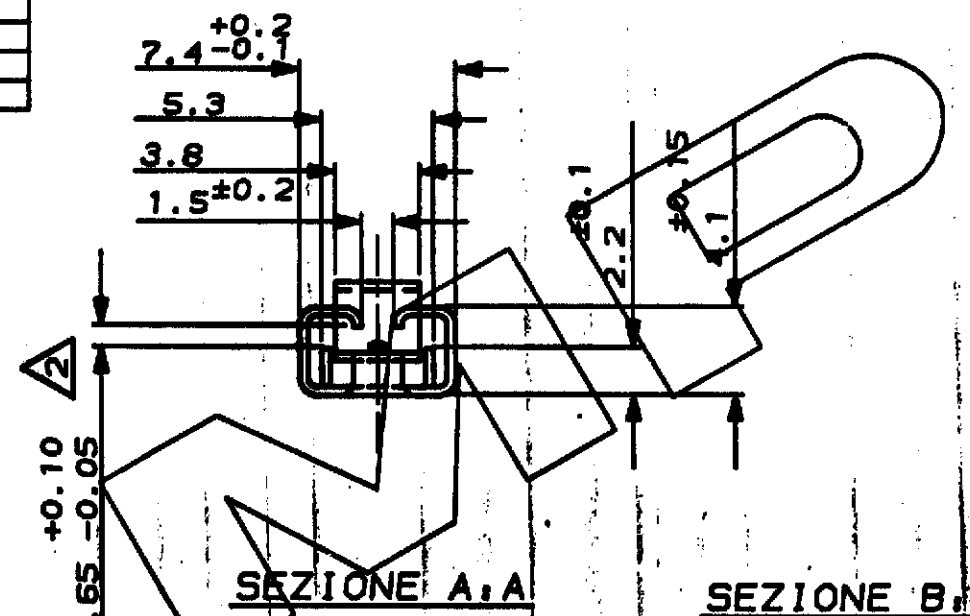
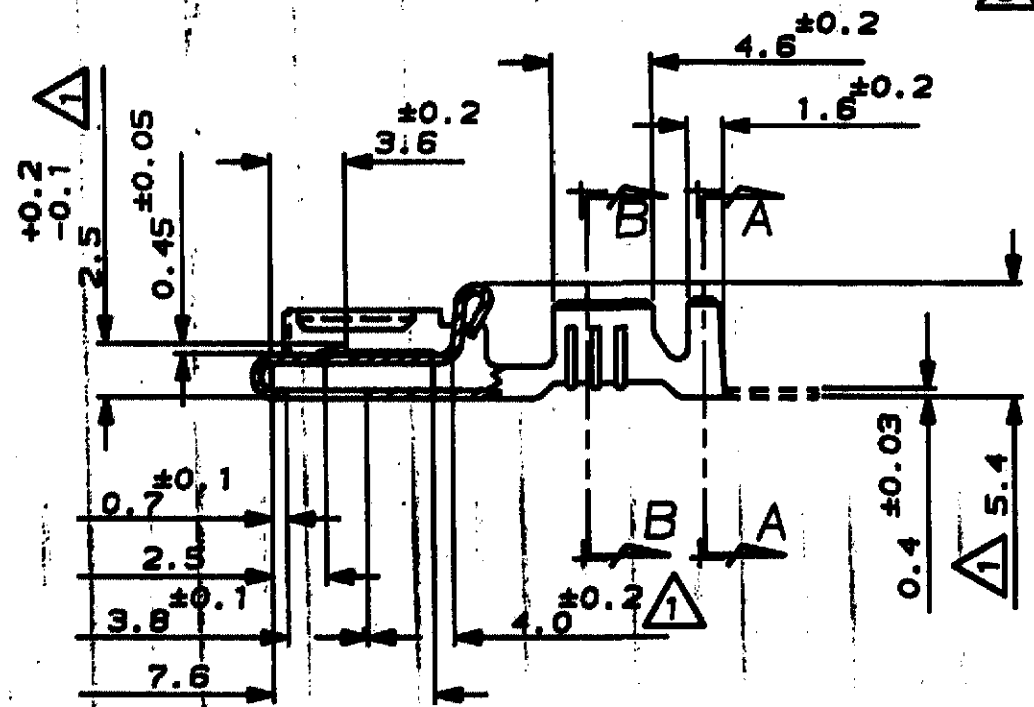


SCALA NON IMPERATIVA
(DO NOT SCALE)
DIMENSIONI IN
DIMENSIONI IN MM

METRIC

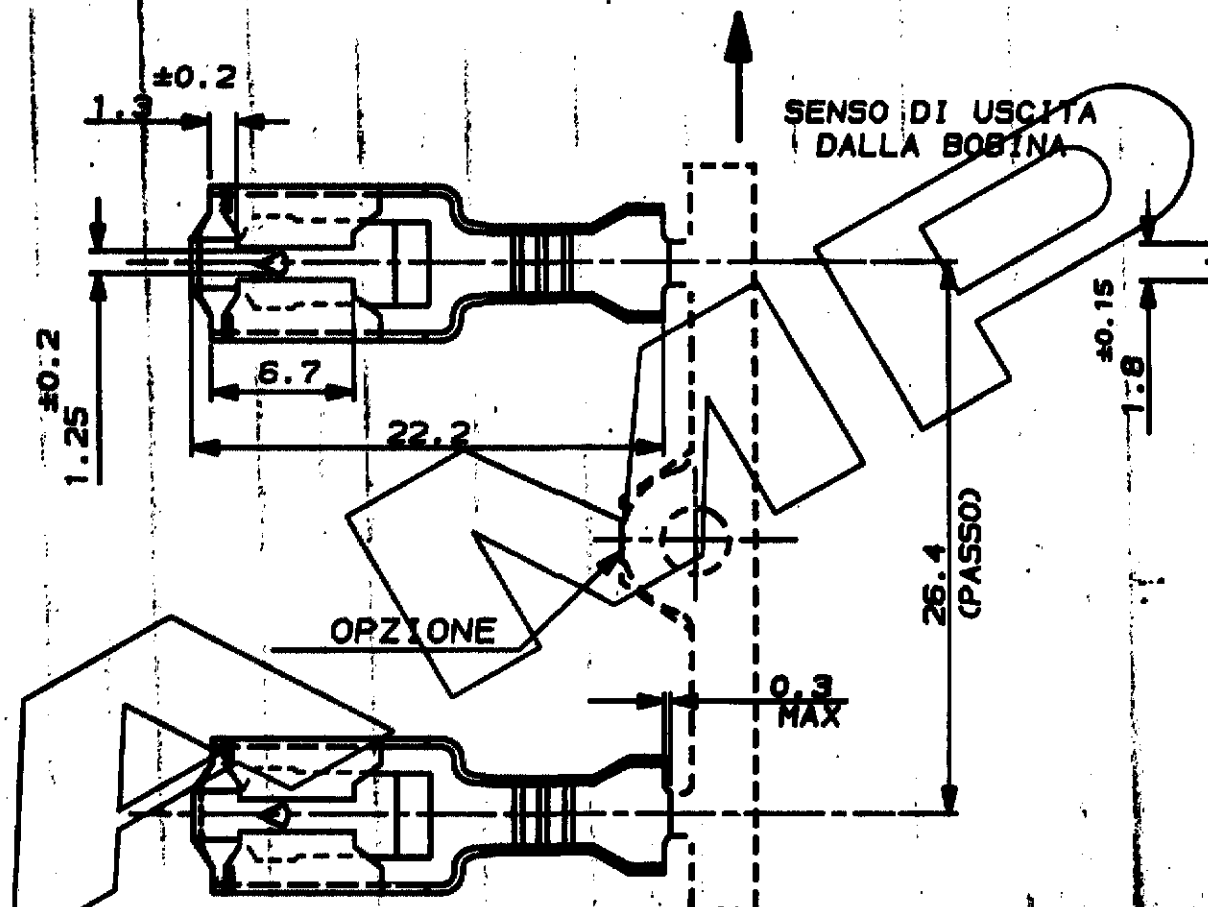
PROIEZIONE EUROPEA
EUROPEAN PROJECTION

(WIRE) SEZ. FILO	(INS. DIA. STD) Ø ISOL. STD	(INS. DIA. REDUCED) Ø IS. RID. FASE 3
0.50	---	1.5-1.7
0.75	---	1.7-1.9
1.0	---	1.9-2.1
1.5	---	2.2-2.4



SEZIONE A-A

SEZIONE B-B



NOTE: 1 DA MISURARSI CON LA MOLLA IN POSIZIONE ORIZZONTALE
2 ADATTO PER TERMINALE MASCHIO CON FORO, SECONDO TABELLA FIAT 91319 FOGLIO 2 (TIPO A)

PRE-STAGNATO	BRONZO FDSF.S0	282167-3
STAGNATO	OTTONE OT 70	282167-1
PINTURA / COLORE (FINISH / COLOUR)	MATERIALE (MATERIAL)	NUMERO (PART NUMBER)

CUSTOMER DWG. FOR REFERENCE ONLY
DISEGNO PER CLIENTE SOLO PER RIFERIMENTO

THIS DRAWING IS UNPUBLISHED
RELEASE FOR PUBLICATION 18

© COPYRIGHT 1989 BY AMP INCORPORATED, NORTHBURY, PA. ALL INTERNATIONAL RIGHTS RESERVED AND PRODUCTS MAY BE COVERED BY U.S. AND FOREIGN PATENT AND/OR PATENT PENDING.

TOLLERANZE, SE NON DIVERSAMENTE SPECIFICATE
DIM. DIA. RANGE 1.5-2.4 DIA 0.5-1.5mm
TOLERANCES, UNLESS OTHERWISE SPECIFIED

AMP ITALIA S.p.A.
Corso P.lli Garibaldi, 18
COLLENO (TORINO)

POSITIVE LOCK REC.
C-282167

282167-3 - ECH. I-3049	C.I.	1989
B RELEASED FOR PROD. P/N		
A RELEASED PER ECH. I-3187	C.I.	1989
1 AGGIUNTO P/N 282167-3	C.I.	1989
ERA 90-81125		
REVISIONI REVISION REQUIRED	DIS. DATA DES. DATE	APP. CAP. 2

X-ON Electronics

Largest Supplier of Electrical and Electronic Components

Click to view similar products for [Terminals](#) category:

Click to view products by [TE Connectivity](#) manufacturer:

Other Similar products are found below :

[00-054007-01074-6](#) [00-054007-70206-1](#) [00-054007-70210-8](#) [00-054007-70217-7](#) [00-054007-70226-9](#) [00-054007-70228-3](#) [00-054007-70248-1](#) [00-054007-70256-6](#) [00-054007-70301-3](#) [00-054007-70316-7](#) [00-054007-49560-4](#) [00-054007-70209-2](#) [00-054007-70225-2](#) [00-054007-70227-6](#) [00-054007-70231-3](#) [00-054007-70241-2](#) [00-054007-70242-9](#) [00-054007-70244-3](#) [00-054007-70246-7](#) [00-054007-70263-4](#) [00-054007-70288-7](#) [00-054007-70290-0](#) [00-054007-70300-6](#) [00-054007-70304-4](#) [01-2065-1-0216](#) [01-2900-1-04412](#) [00581P0075](#) [600TS-10](#) [60205-1](#) [604200-1](#) [605601-1](#) [60598-1-CUT-TAPE](#) [61314-6-C](#) [61810-3](#) [61-S](#) [61-SN](#) [626-0194](#) [62-NBM-A](#) [62-SN](#) [62-SP](#) [63-S](#) [640179-1](#) [M55155/059I03](#) [M55155/079C01](#) [M55155/099H02](#) [M55155/109H01](#) [M55155/109H02](#) [M55155/12XH05](#) [M55155/16XH02](#) [M55155/29-5S](#)